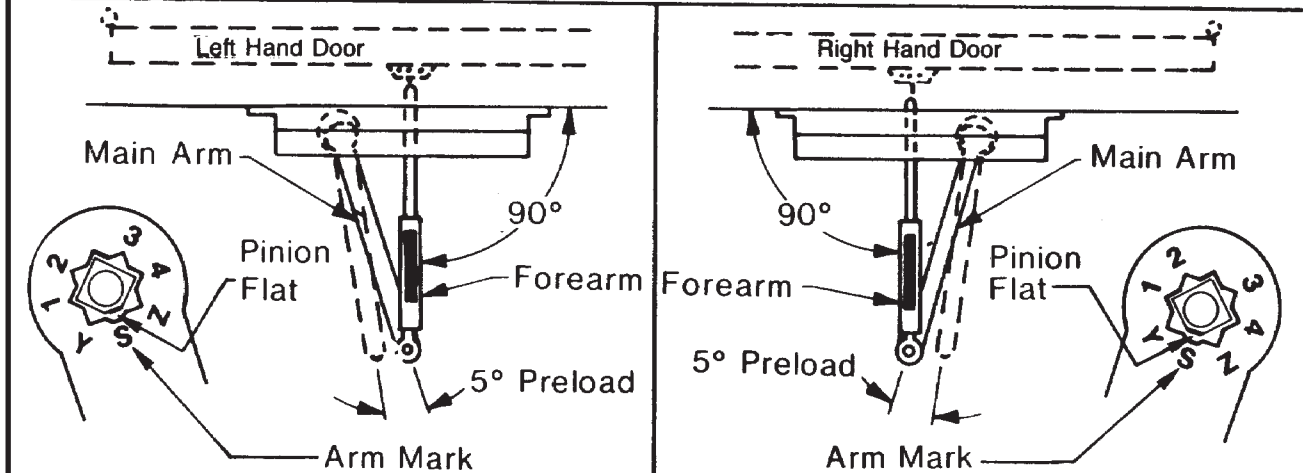


- Do not scale drawing.
- Left hand door shown.
- Dimensions are in inches (mm.).
- Hollow metal doors require channel or box type reinforcement when thru bolt mount is specified.
- Sex bolts required for wood or plastic faced fire door mounting.
- Minimum thickness recommended for reinforcements in hollow metal doors and frames: .1046" (2.66 mm.) unless otherwise noted.
- Use regular length rod for reveals to 3" (76 mm.). Use long rod for reveals 2-3/4" (70 mm.) to 6-3/4" (171 mm.).

Position of Arm & Pinion Flat



J8080 Series Door Closer
Top Jamb Low Profile Application With 8146 Back Plate
J8180, J8380, and J8580
Sizes 1 thru 6



ASSA ABLOY

TEMPLATE NUMBER	REV	DATE
7380-0161	3	12/21