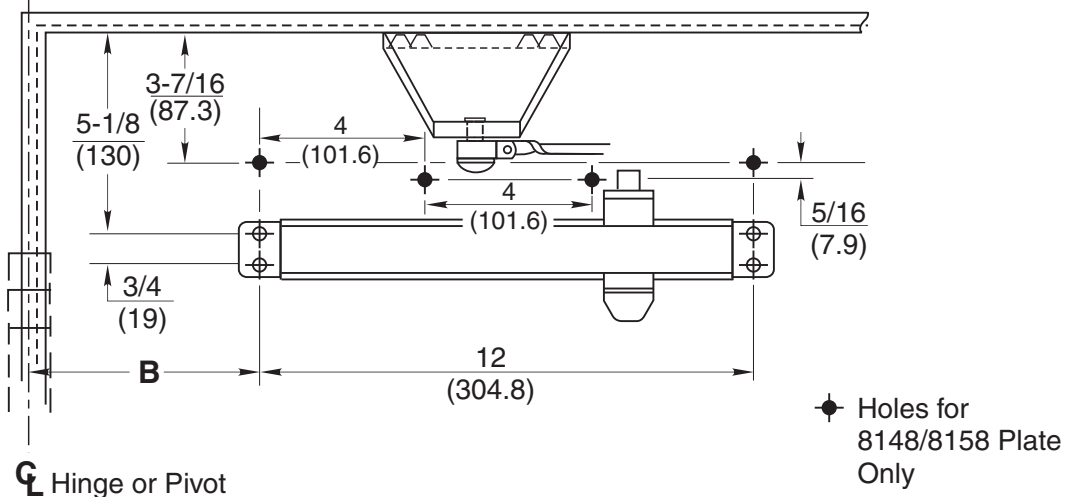
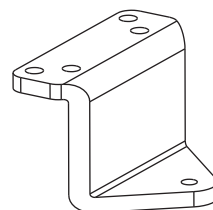
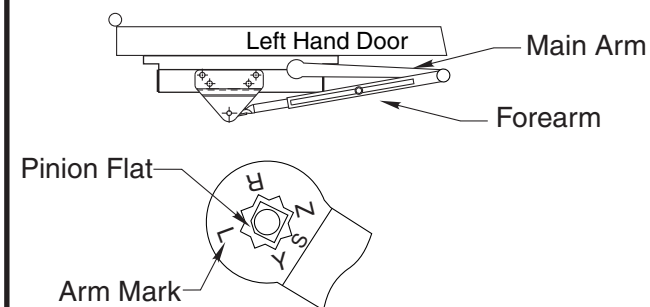
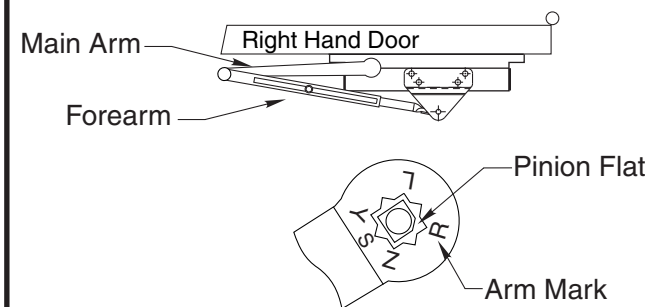


Opening	Dimension A		Dimension B	
	inches	mm	inches	mm
To 120°	9-1/2	241	3-3/4	95
Over 120° *	7	178	1-1/4	32

* Door openings to 180° conditions permitting



Position of Arm Mark and Pinion Flat



Notes:

- Do not scale drawing.
- Left hand door shown.
- Dimensions are in inches (mm).
- Hollow-metal doors require channel or box-type reinforcement when thru-bolt mount is specified.
- Sex-bolts may be required for wood or plastic faced fire-door mounting.
- Minimum thickness recommended for reinforcements in hollow-metal doors and frames: .1046" (2.66mm) unless otherwise noted.

**P8000 Series Door Closer With SP2018S Special Bracket
 And With Or Without 8148/8158 Drop Plate
 Parallel Non Hold Open Arm With Offset Plate Application
 Series P8100, P8300, And P8500
 Door Closer Size 1 (Multi-size 1 Thru 6) Or Individually Sized 2, 3, 4, 5 Or 6**



ASSA ABLOY

TEMPLATE NUMBER

7380-0215

REV

3

DATE

12/21