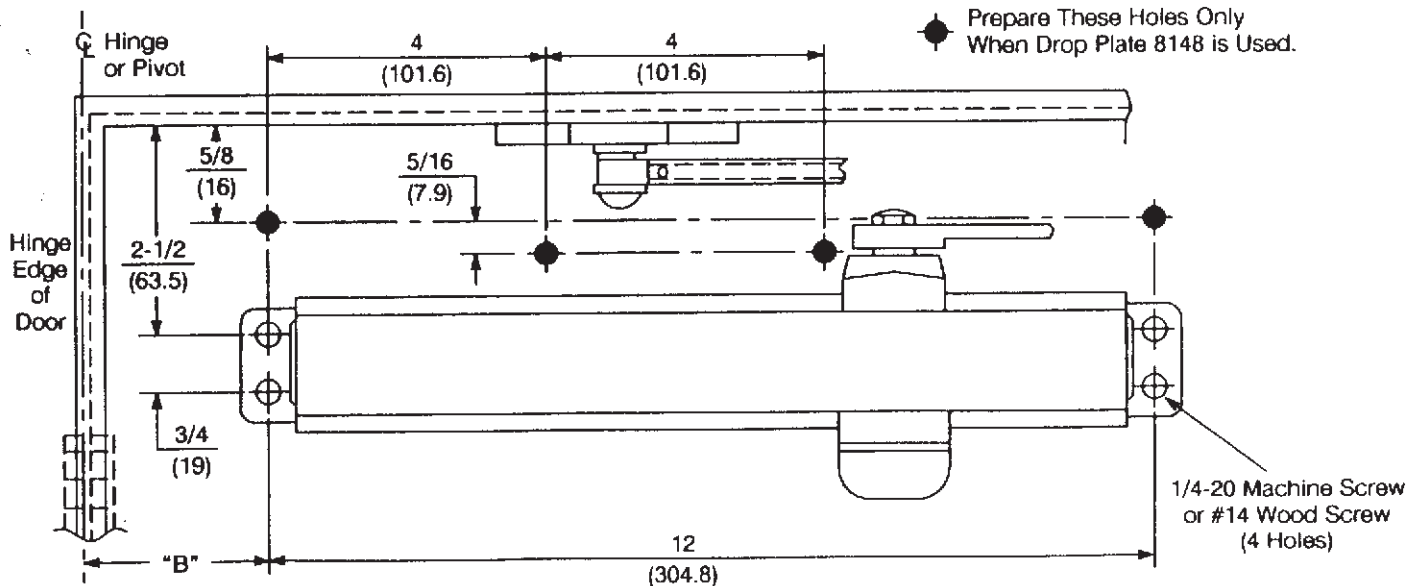
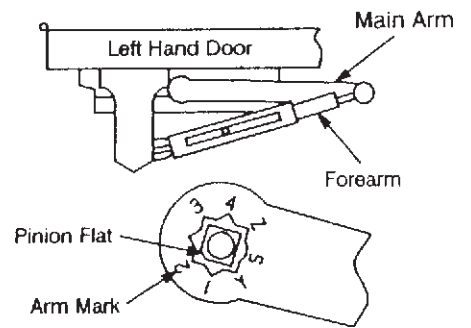
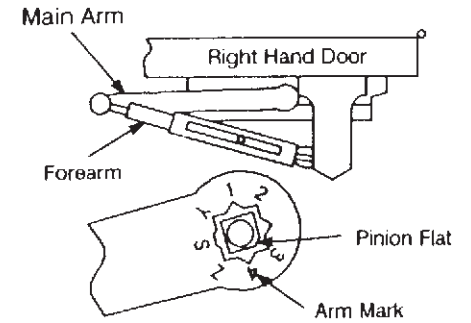


Opening	Dimension "A"		Dimension "B"	
	inches	mm	inches	mm
To 120°	9-1/2	241	3-3/4	95
Over 120°*	7	178	1-1/4	32

\* Door openings to 180° conditions permitting.



**Position of Arm Mark and Pinion Flat**



- Do not scale drawing.
- Left hand door shown.
- Dimensions are in inches (mm).
- Hollow metal doors require channel or box type reinforcement when thru bolt mount is specified.
- Sex bolt required for wood or plastic faced fire door mounting.
- Minimum thickness recommended for reinforcements in hollow metal doors and frames: .1046" (2.66mm) unless otherwise noted.

**P8000 Series Door Closer for Narrow Stile Door With or Without 8148 Drop Plate  
 Parallel Non-Hold Open Low Profile Arm Application  
 P8180, P8380, and P8580  
 Sizes 1 Thru 6**



TEMPLATE NUMBER	REV	DATE
<b>7380-0209</b>	<b>3</b>	<b>12/21</b>