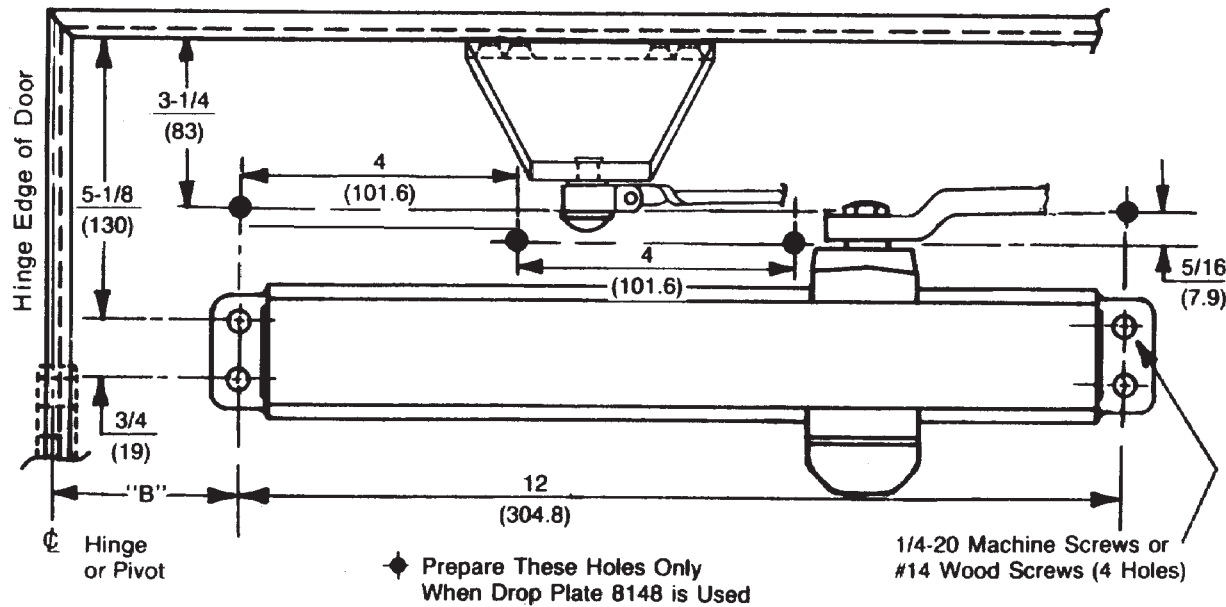


| Opening | Dimension "A" | | Dimension "B" | |
|-----------|---------------|-----|---------------|-----|
| | inches | mm. | inches | mm. |
| To 120° | 9-1/2 | 241 | 3-3/4 | 95 |
| Over 120° | 7 | 178 | 1-1/4 | 32 |



- Do not scale drawing.
- Left hand door shown.
- Dimensions are in inches (mm.).
- Hollow metal doors require channel or box type reinforcement when thru bolt mount is specified.
- Sex bolt required for wood or plastic faced fire door mounting.
- Minimum thickness recommended for reinforcements in hollow metal doors and frames: .1046" (2.66 mm.) unless otherwise noted.

**P8000 Series Door Closer
 Parallel Arm With 2018S Bracket Application
 With or Without 8148 Drop Plate
 P8100, P8300, and P8500 Sizes 1 Thru 6**



| | | |
|------------------|----------|--------------|
| TEMPLATE NUMBER | REV | DATE |
| 7380-0207 | 3 | 12/21 |