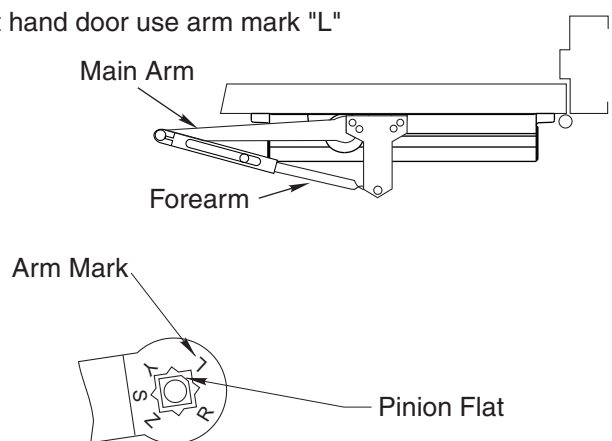
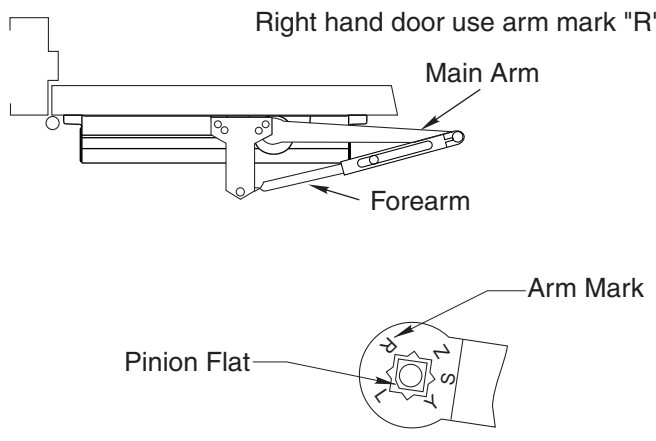


POSITION OF ARM MARK AND PINION FLAT

Left hand door use arm mark "L"



Right hand door use arm mark "R"



- Do not scale drawing.
- Left hand door shown.
- Dimensions are in inches (mm.).
- Hollow metal doors require channel or box type reinforcement when thru bolt mount is specified.
- Sex bolt required for wood or plastic faced fire door mounting.
- Minimum thickness recommended for reinforcements in hollow metal doors and frames: .1046" (2.66 mm.) unless otherwise noted.

P8000 Series Door Closers
Parallel Arm Application With 2022 Bracket
With or Without 8148 Drop Plate
P8100, P8300, and P8500 - Sizes 1 - 6



TEMPLATE NUMBER	REV	DATE
7380-0203	3	12/21