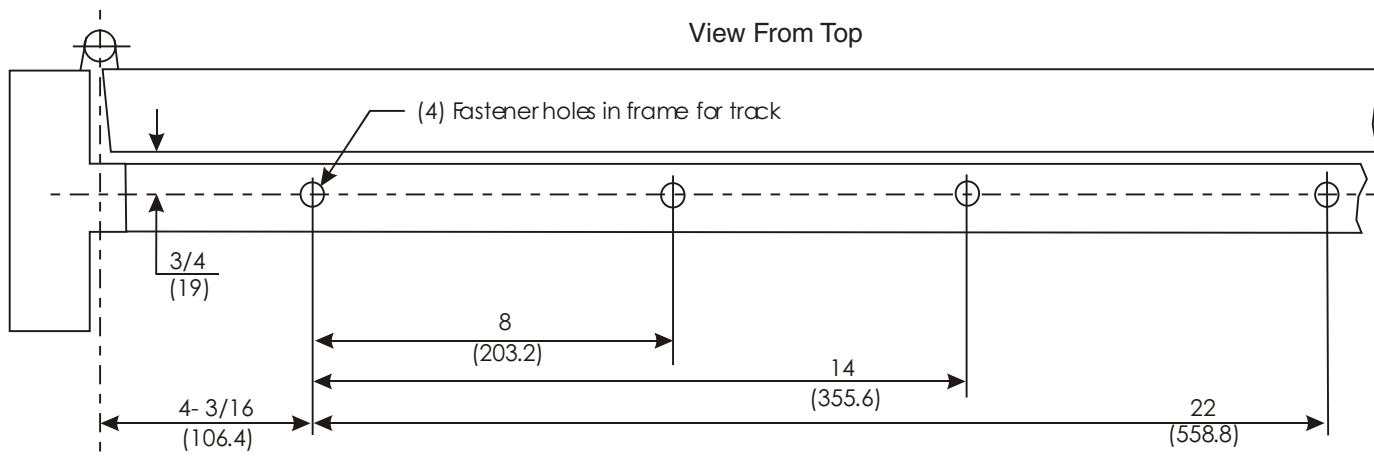
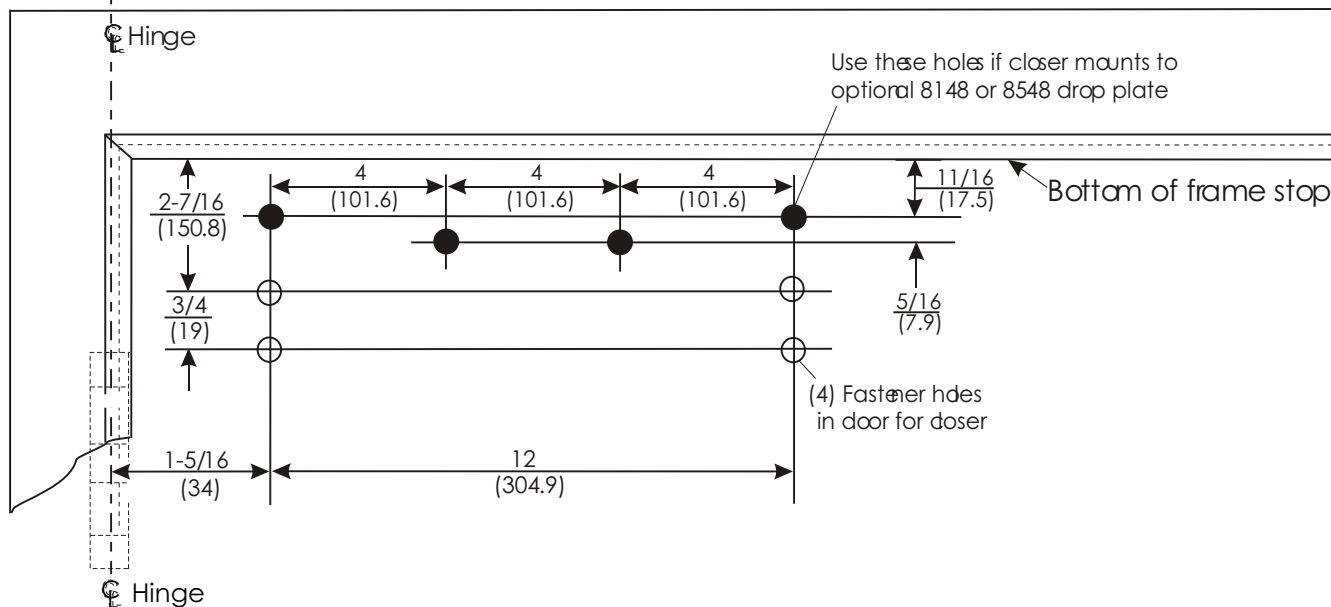


View From Top



Preparation for Fasteners		
Fasteners	Door or Frame	Drill Sizes
#14 type "A" S.M. screw Closer: 1-1/4" (32mm) Track: 2-3/4" (70mm)	Wood	7/32" (5.56mm)
1/4" -20 machine screw	Metd	drill: #7 (.201") tap: 1/4" -20
Sex-nuts and bolts	Hollow Metd	9/32" (7.00mm) through 3/8" (9.50mm) door-face opposite to closer
	Aluminum or Wood	3/8" (9.50mm) through
Through-bolts and grommet-nuts (Optional)	All	9/32" (7.00mm) through; 3/8" (9.50mm) dia. x 3/8" (10mm) deep door-face opposite to closer



Notes:

- Left hand doorshown.
- Do notscale drawing.
- Minimum door width 29" (736.6mm).
- .1046 (2.7mm) minimum thickness recommended for hollow metd door and frame reinforcement.
- From centerline of hinge or pivot point to end of track is 27-11/16" (703.3mm)
- Dimensions are given in $\frac{\text{inches}}{\text{(mm)}}$
- Maximum door opening: 120°.
- Use of auxiliary door stop may berequired to prevent damage to doorframe or hinges, conditions permitting.

PS8340ST, PS8540ST Series Non Hold Open Door Closer
PS8340STH, PS8540STH Series Hold Open Door Closer
Push (Stop) Side Slide Track Application
Closer Sizes 1, 4, 5, or 6



ASSA ABLOY

TEMPLATE NUMBER	REV	DATE
7380-1520	3	12/21