



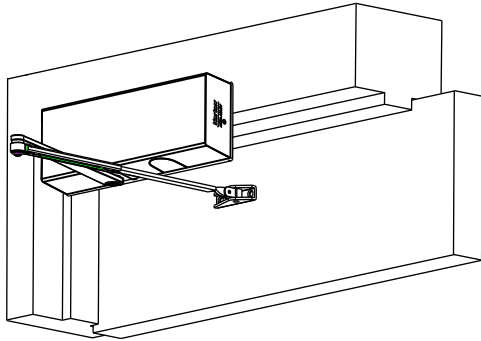
9500 Series

Installation Addendum

For Use with 9587 Drop Plates

This addendum replaces the Template on page 9 of the 80-9395-9511-020 Instruction Sheet for 9500 Top Jamb Mount Applications.

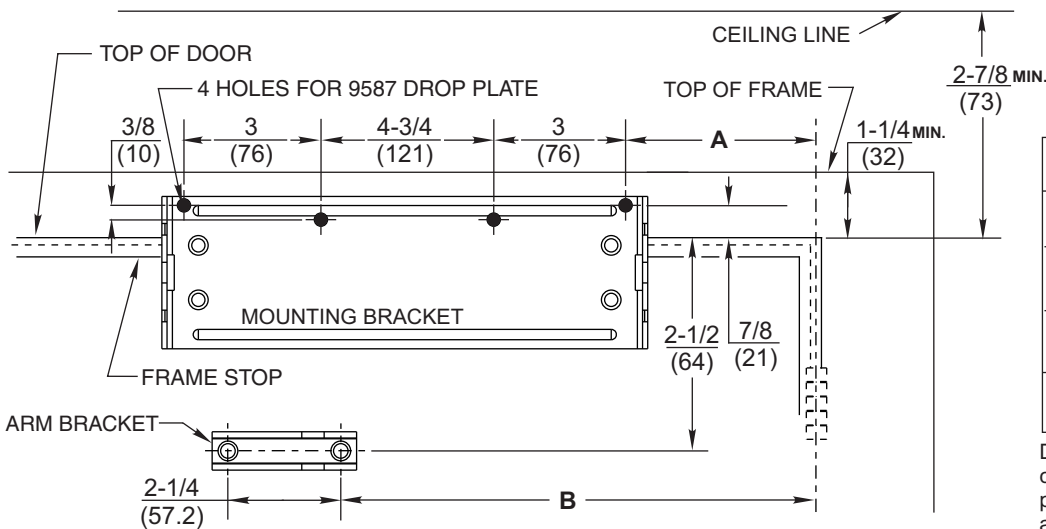
ASSA ABLOY



USE OF DROP PLATE (9587) IN THIS APPLICATION WILL PUT THE BOTTOM OF THE PLATE 2-1/8 (54) INTO THE OPENING.

Template

Mark Door and Jamb (for arm bracket and drop plate) use dimensions in template below.



OPENING MAXIMUM	A	B	HINGE CONDITION
110°	6-1/8 (156)	14 (356)	Butts, Offset Pivots, and Swing Clear Hinges
140°	4-3/8 (111)	12-1/2 (318)	
180°	2-5/8 (67)	10-1/2 (267)	
140°	4-3/8 (111)	12-3/8 (314)	* CENTER HUNG

Dimensions "A" and "B" are taken from centerline of hinge as shown and apply to pivot point of swing clear hinges. Offset and center hung pivots.
*Must be single acting door.

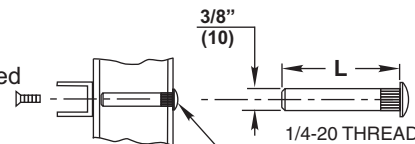
MOUNTING SCREW SPECIFICATIONS

ARM AND CLOSER DROP PLATE

#12-14 self-drilling screw.
1/8 (3) diameter pilot hole required for Wood Applications.



or Sex nuts, furnished when ordered



Drill thru 9/32 (7.1) Enlarge to 3/8 (9.5) Dia. This Side Only (4 Places)

DOOR THICKNESS	SEX NUT LENGTH "L"
1-3/8" (35mm)	1-9/32" (33mm)
1-3/4" (44mm) & OVER	1-21/32" (42mm)

NOTES:

- Check hand of door, see page 2 on 80-9395-9511-020 .
- Right Hand Application Shown. Left Hand Opposite.
- Dimensions given in inches (mm). Do Not Scale Drawing.
- Closer must be installed in a true horizontal plane to ensure proper closer performance.
- All degrees of door opening are dependent upon door, frame, wall and hinge/pivot conditions permitting.