

# RIXSON®

# ASSA ABLOY

## Installation Instructions

### CAUTION

An incorrectly installed or improperly adjusted door closer can cause property damage or personal injury. These instructions should be followed to avoid the possibility of misapplication or misadjustment.

## Checkmate® Series

99-626/99-826 (with detector)

99-726/99-926 (without detector)

## Models

Hinge (Pull) Side of Door Application      Stop (Push) Side of Door Application

99-826

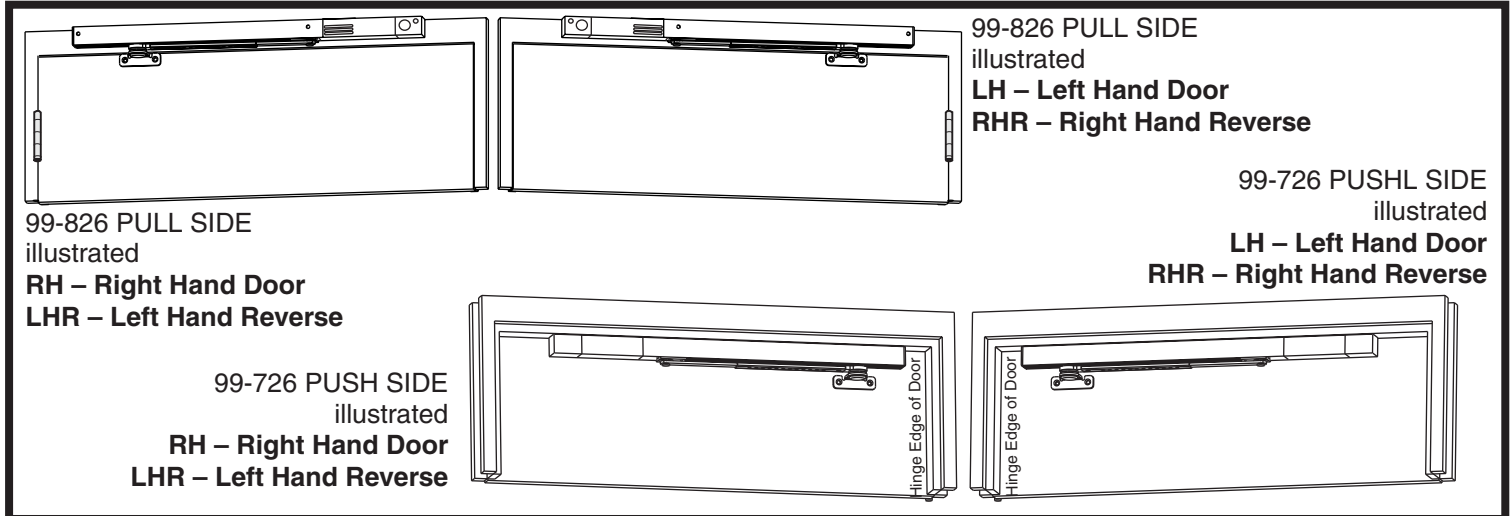
99-626

99-926

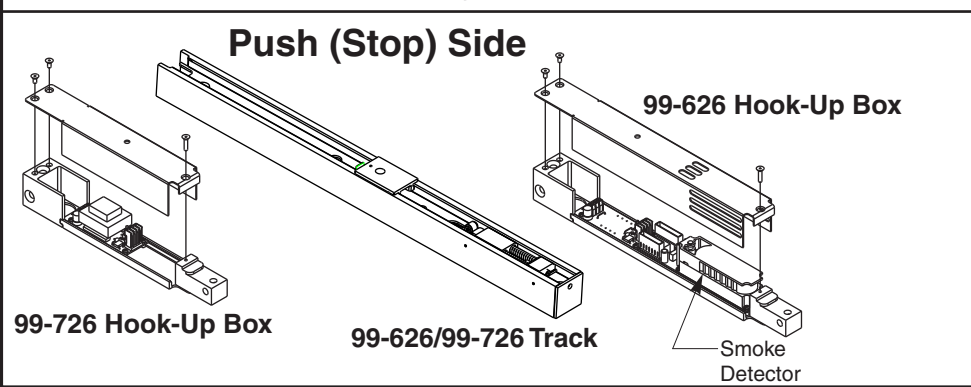
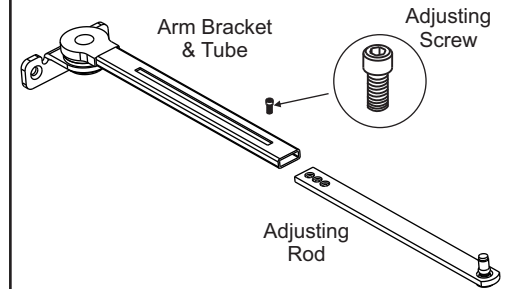
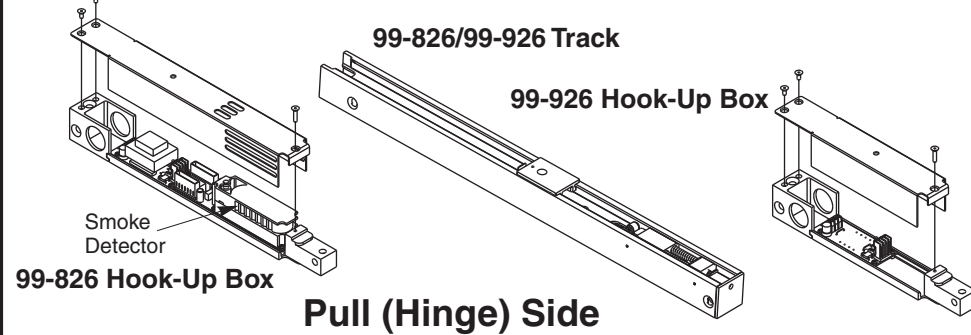
99-726

Door Holder and Releasing Device  
WITH and WITHOUT  
Integral Smoke Detector

NOTES: - For wiring of 99-626/99-826 models, see "Checkmate®"  
"Wiring Instructions" No. 80-9399-0103-015 (07-14)



## Components:



Preparation for Fasteners			
	Fasteners	Door or Frame	Drill-Sizes
Standard	Self-Drilling Screw	Aluminum or Metal	No drill required
		Wood	3/16" (4.30 mm) Pilot hole required
	1/4" - 20 machine screw	Metal	Drill: #7 (0.201" dia.) Tap: 1/4" - 20
Optional	Sleeve nuts and bolts	Hollow Metal	9/32" (7 mm) through; 3/8" (9.5 mm) door face opposite to closer
		Aluminum or Wood	3/8" (9.5 mm) through
	Through-bolts and grommet-nuts	All	9/32" (7 mm); 3/8" (9.5 mm) dia. x 3/8" (9.5 mm) deep on door opposite to closer

### NOTE:

- For special applications a separate door and frame preparation template is packed with these instructions.
- Use this instruction sheet for installation sequence and closer adjustments only.
- Use of an auxiliary door stop is always recommended.
- Unit must be mounted on interior of building in dry environment, maximum humidity of 95%.
- See NFPA70 for wiring requirements and NFPA72 for alarm system requirements.

# 99-826 / 99-926 Series

Hinge (Pull) Side Application

**RIXSON**

ASSA ABLOY

### Parts

Solenoid wire coiled inside end of track

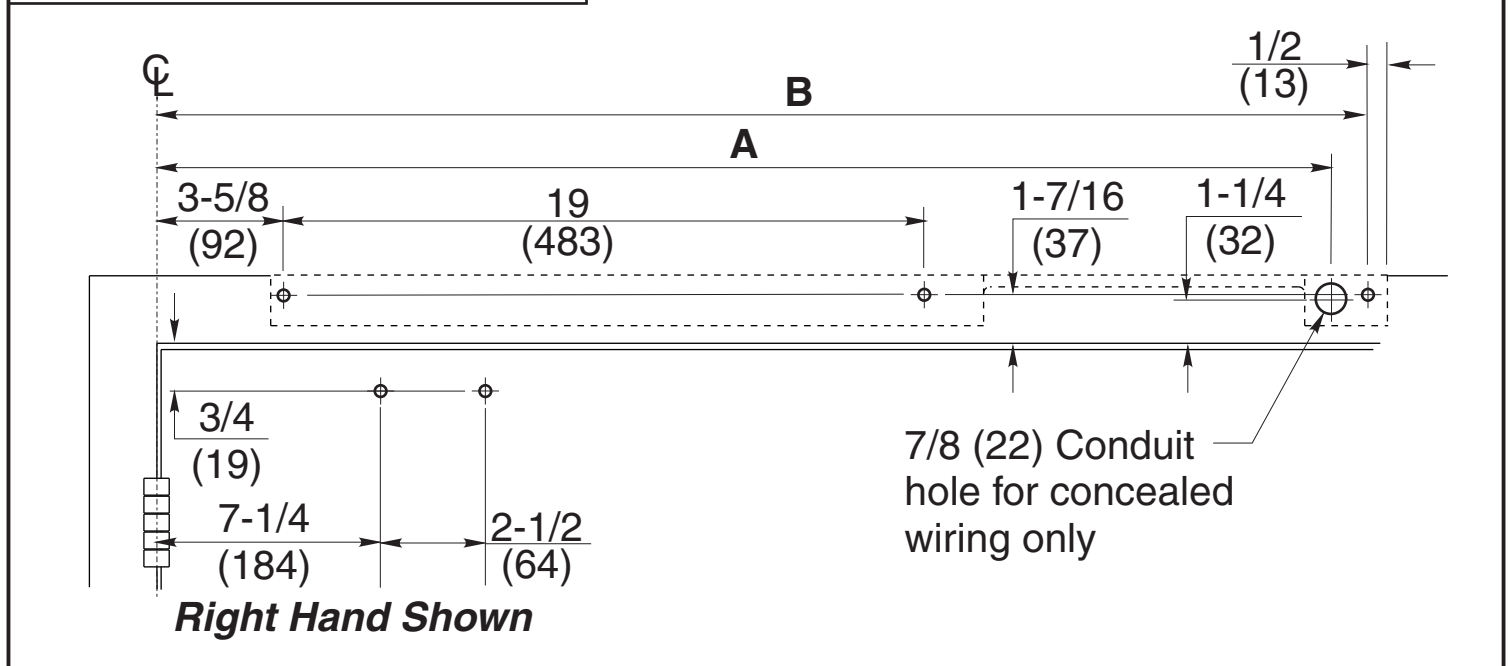
### 1 Mark and Drill Holes

Power Track	Dim. "A"	Dim. "B"
99-926	$\frac{31-1/16}{(788)}$	$\frac{32-1/8}{(816)}$
99-826	$\frac{34-11/16}{(881)}$	$\frac{35-3/4}{(908)}$

### 2 Preparation for Fasteners

Fasteners	Door or Frame	Drill Sizes
Self-Drilling Screw	Aluminum or Metal	No drill required
	Wood (see Note)	3-16" (4.3mm)
1/4"-20 machine screw	Metal	Drill #7 (.201" dia) Tap 1/4"-20

**Note:** Wood doors/frames **MUST** have pilot hole when using Self-Drilling Screws.



### Installation Sequence

After installed, bend out tabs to secure.

See Page 4 for wiring instructions.

### 3

### 4

### Hold Open Angle (Between 85° and 110° only)

A Lock into hold-open

B Use holes that align in arms

C Open door to desired angle

# 99-626 / 99-726 Series

## Stop (Push) Side Application

**RIXSON**

**ASSA ABLOY**

### Parts

Solenoid wire coiled inside end of track

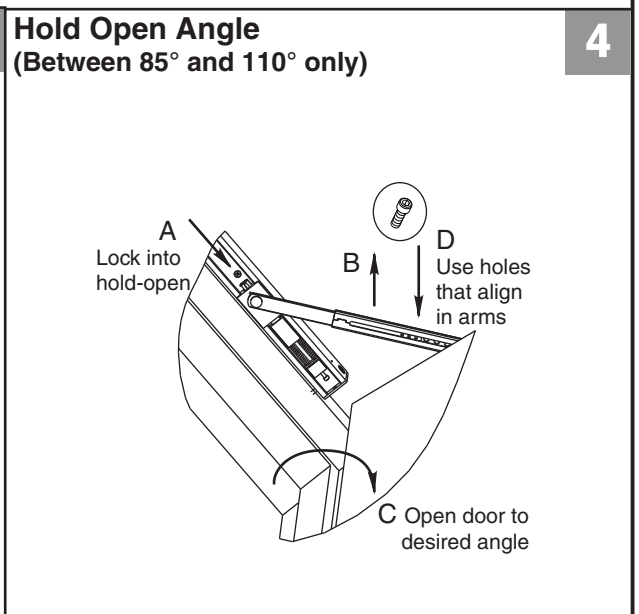
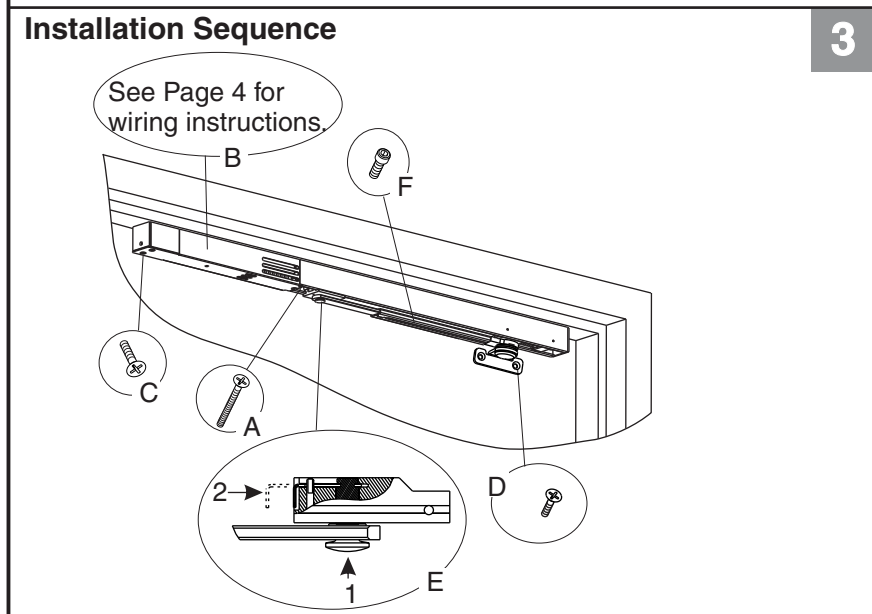
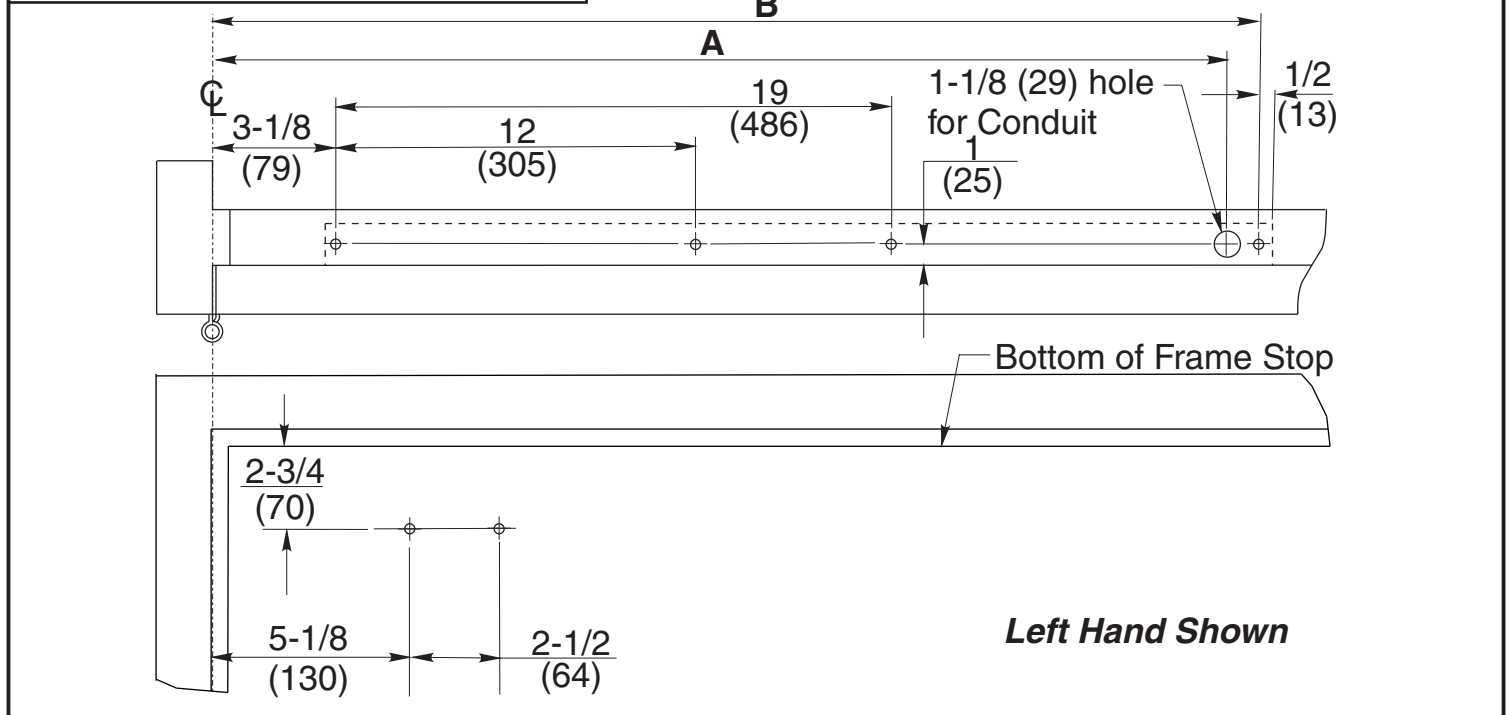
### 1 Mark and Drill Holes

Power Track	Dim. "A"	Dim. "B"
PTO	$\frac{30-9}{16}$ (776)	$\frac{31-11}{16}$ (805)
PTDO	$\frac{34-3}{16}$ (868)	$\frac{35-5}{16}$ (897)

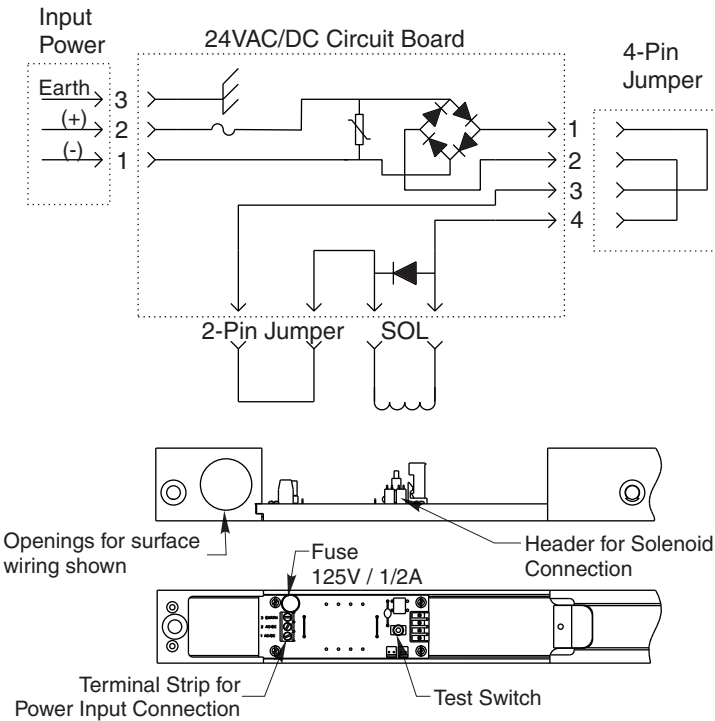
### 2 Preparation for Fasteners

Fasteners	Door or Frame	Drill Sizes
Self-Drilling Screw	Aluminum or Metal	No drill required
	Wood (see Note)	3-16" (4.3mm)
1/4"-20 machine screw	Metal	Drill #7 (.201" dia) Tap 1/4"-20

**Note:** Wood doors/frames **MUST** have pilot hole when using Self-Drilling Screws.

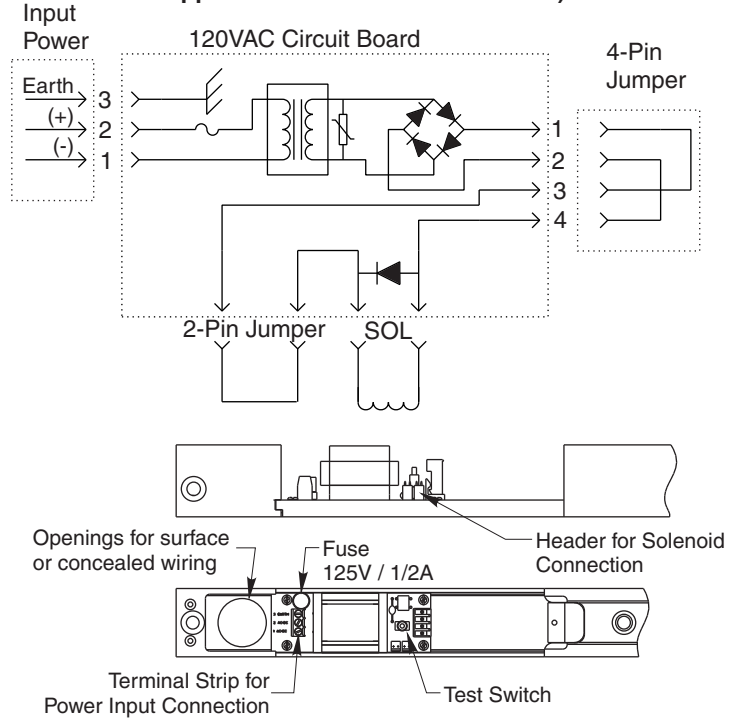


99-726 / 99-926 Support Unit Wiring Diagram  
(24VAC/DC Input)



99-726 / 99-926 Support Unit Wiring Diagram  
(120VAC Input)

(Do not use a 120VAC 99-726 / 99-926 unit when power is supplied from a 99-626 / 99-826 unit)



**For 99-626/99-826 Models:**

Refer to Wiring Instructions No. 80-9399-0103-015 (02-09) for making wiring connections.

**ELECTRICAL DATA**

	120VAC	24VAC	24VDC	Detector
Voltage	120V 132V Max 102V Min	24V 26.4V Max 20.4V Min	24V 26.4V Max 20.4V Min	24V 26.4V Max 20.4V Min
Current	.036 Amps	.059 Amps	.074 Amps	0.034 Amps

NOTES:

- Maximum wire size is 14AWG.
- All wiring and connections use standard wiring practice conforming with local wiring codes.

**IMPORTANT:**

**Remove solenoid wire from end of track** before installing track to frame. Do not pinch or crimp wire. Once track and hook-up box are installed, solenoid wire must be plugged into Header on circuit board shown above.

**After making all wiring connections:**

- Turn power to unit "ON". (On Master (99-626 / 99-826) unit only, red LED should illuminate once every 15 sec.).
- Track's hold open force is preset at the factory.
- Open door to hold-open position. Manually pull door out of hold-open and release...door should close. If arm does not release from hold-open,

Cont.:

- increase the releasing force by turning the screw accessible thru the end cap of the track using the 9/64" hex wrench provided.
- Again, open door to the hold-open position. Depress "Test Switch" button on the hook-up board...door should close. If arm does not release, see previous step.

**RIXSON**  
**ASSA ABLOY**

3000 Highway 74 East • Monroe, NC 28112  
Tel: (800)-457-5670  
www.rixson.com

ASSA ABLOY, the global leader in door opening solutions

80-9399-0102-015 (07-14)