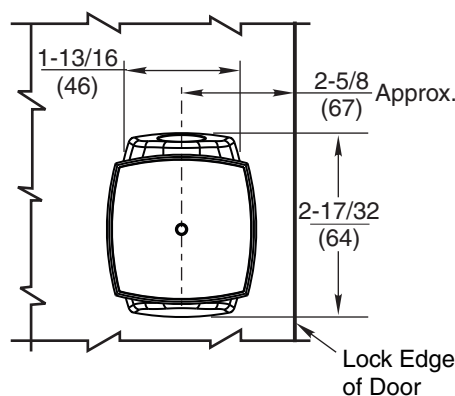
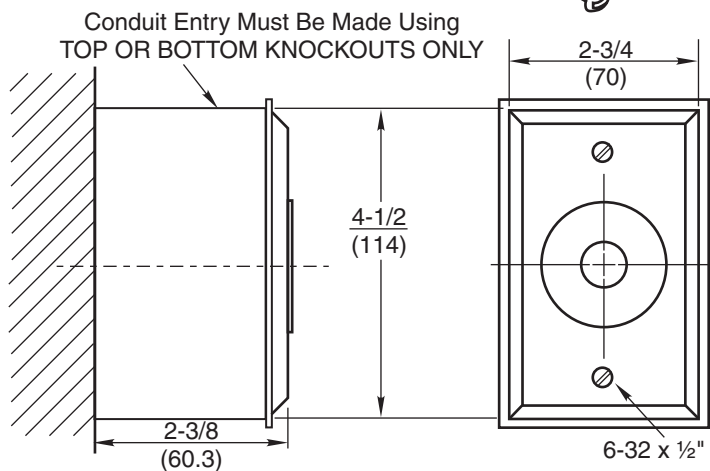
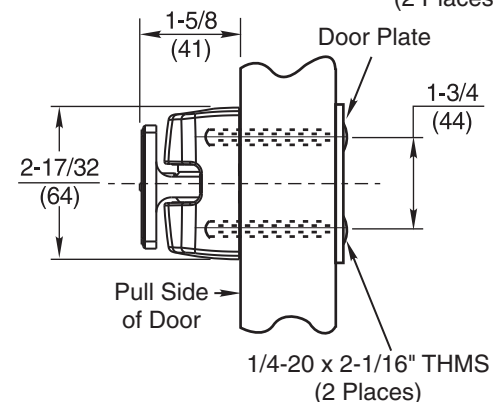
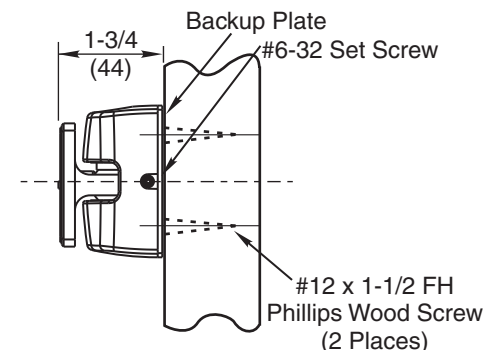


CAUTION: Nicks and scratches on the magnet surface will lessen or diminish the holding force of the magnet. Do not remove protective cap, if present, until last steps of installation.

**Surface Applied
 Concealed Mounting**
 Recommended for
 Solid Wood Doors Only

Thru Bolt Mounting
 Recommended for
 Hollow Metal, Hollow
 Core or Composite Type Wood Doors



Notes:

1. Do not scale drawing.
2. Total projection 1-1/8" (29mm). (Includes Electromagnet, Armature Assembly and Wall Cover plate.)
3. Power requirements: 12VAC, 24VAC, 24VDC, 120VAC, 240VAC.
4. See step 1 of sheet 2 for Single Gang Electric Box location. Anchor Electric Box to withstand a minimum 50 lb. pull. Electric Box shown installed in vertical position.
5. **IMPORTANT:** Check line voltage against voltage specifications on back side of magnet

6. Door closing mechanism should have a 3 lb. closing force at the degree of door opening where door armature and electromagnet engage.
7. Mounting of Electric Box should be reinforced to withstand shock of door opening. Failure to do so will cause box anchors to work loose.
8. All dimensions given in inches (mm).
9. See sheet 2 for more details.

991M Door Release



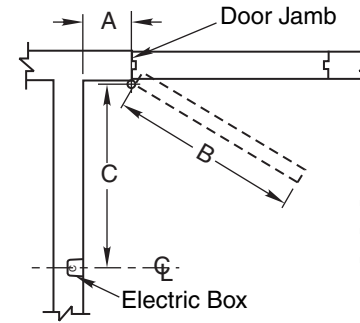
ASSA ABLOY

TEMPLATE NUMBER	SHEET	REV	DATE
DR100225	1 of 2	2	01/22

STEP 1 – Location of Electric Box

- To locate Electric Box use table below.
- Determine door width (Dim. "B"). Measure pivot centerline to wall (Dim. "A"). Find dimension "C" in table.
 Example:
 Pivot centerline to wall ("A") = 10" (25.4cm)
 Door Width ("B") = 36" (91.4cm)
 Electric Box Centerline ("C") = 33" (83.8cm)
- If "A" or "B" falls between the numbers listed in table allow for difference.
 Example:
 Pivot centerline to wall ("A") = 7" (17.8cm)
 Door Width ("B") = 36" (91.4cm)
 Electric Box Centerline ("C") = 33-5/8" (85.4cm)
- If dimensions "A" and "B" intersect in shaded area of table **DO NOT INSTALL ELECTRIC BOX**. The degree of door opening will not permit proper alignment between armature and wall magnet.
- Height to be determined by others. Suggested height is not over 6'0" (1.8m).
- Check degree of door opening in table and coordinate with door closers and other door hardware.
- Total projection of door hardware must not project more than 1-5/8" (41.3mm) on pull side of door.

Location of Electric Box



"A" – Pivot Centerline to Wall
 "B" – Door Width
 "C" – Pivot Centerline to Electric Box Centerline

Dim. "A"	Door Width "B"																					
	28" (711)		30" (762)		32" (813)		34" (864)		36" (914)		38" (965)		40" (1016)		42" (1067)		44" (1118)		46" (1168)		48" (1219)	
	"C"	Deg.	"C"	Deg.	"C"	Deg.	"C"	Deg.	"C"	Deg.	"C"	Deg.	"C"	Deg.	"C"	Deg.	"C"	Deg.	"C"	Deg.	"C"	Deg.
2" (51)	26" (660)	92°	28" (711)	92°	29-7/8 (759)	92°	32" (813)	93°	34-1/8 (867)	93°	36" (914)	92°	37-7/8 (962)	92°	40" (1016)	93°	42" (1067)	93°	43-7/8 (1114)	92°	45-5/8 (1159)	92°
4" (102)	26" (660)	97°	28" (711)	96°	29-7/8 (759)	96°	32" (813)	95°	34-1/8 (867)	95°	36" (914)	95°	37-7/8 (962)	95°	40" (1016)	95°	42" (1067)	95°	43-7/8 (1114)	94°	45-5/8 (1159)	94°
6" (152)	25-5/8 (651)	102°	27-5/8 (702)	101°	29-5/8 (753)	100°	31-3/4 (807)	99°	33-3/4 (857)	98°	35-3/4 (908)	97°	37-3/4 (959)	97°	39-7/8 (1013)	97°	41-7/8 (1064)	97°	43-3/4 (1111)	97°	45-1/2 (1156)	97°
8" (203)	25-1/8 (638)	106°	27-1/4 (692)	105°	29-1/4 (743)	104°	31-3/8 (797)	103°	33-1/2 (851)	102°	35-1/2 (902)	101°	37-3/8 (949)	101°	39-1/2 (1003)	101°	41-1/2 (1054)	101°	43-3/8 (1102)	100°	45-1/4 (1149)	99°
10" (254)							31" (787)	105°	33" (838)	106°	35" (889)	105°	37" (940)	104°	39-1/8 (994)	104°	41-1/8 (1045)	104°	43-1/8 (1095)	103°	45" (1143)	102°
12" (305)																			42-5/8 (1083)	105°	44-1/2 (1130)	104°

Dimensions given in inches (mm).

**991M Door Release
Location Sheet**



TEMPLATE NUMBER	SHEET	REV	DATE
DR100225	2 of 2	2	01/22

Approved 2022-06-16