

* For Wiring
 See Note 3

5/32" x 3/8" (4 x 9.5) Slot
 for 2" x 4" (51 x 102)

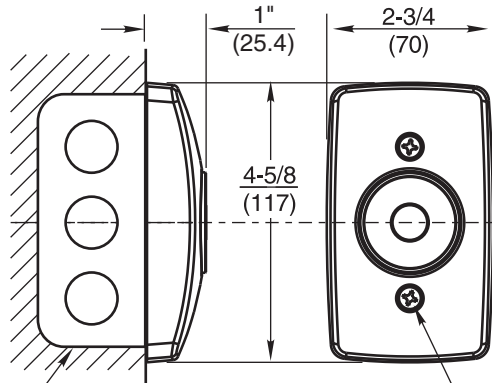
Electric Box
 (2 Places)



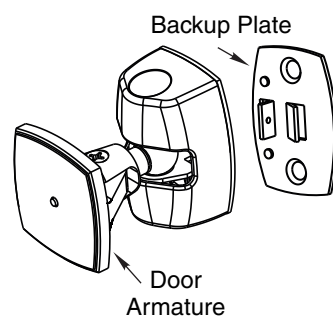
10-32
 Self-tapping Screw
 (2 Places)

2" x 4" x 1-1/2"
 (51 x 102 x 38)
 Single Gang Electric Box
 (by others)

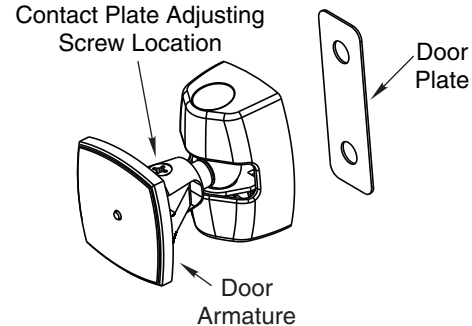
10-32 x 1-1/2"
 Self Tapping



10-32 x 1-1/2" Flat Head
 Self-Tapping Screws
 (2 Places)

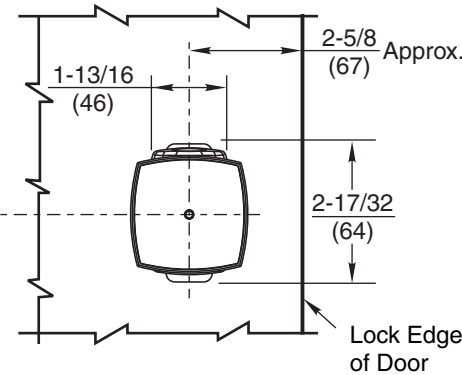
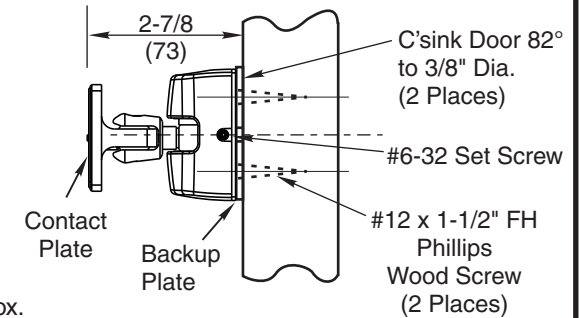


**Surface Applied
 Concealed Mounting**
 Recommended for Solid
 Wood Doors Only

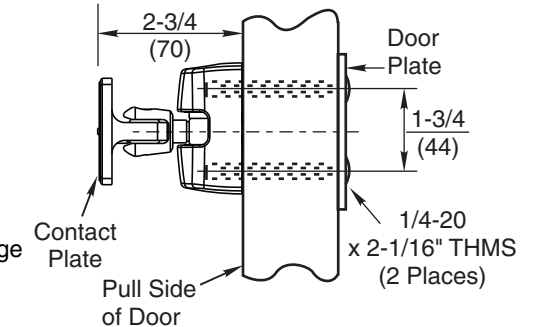


Thru Bolt Mounting
 Recommended for
 Hollow Metal, Hollow Core or
 Composite Type Wood Doors

CAUTION: Nicks and scratches on the magnet surface will lessen or diminish the holding force of the magnet. Do not remove protective cap, if present, until last steps of installation.



Lock Edge
 of Door



- Notes:
1. Do not scale drawing.
 2. Total projection 3-3/4". (Includes electromagnet and armature assembly.)
 3. Non-tri voltage magnets have two non-polarized wires to be connected. Tri voltage magnets are connected using a terminal strip on back of magnet. One wire in common and one wire in the appropriate voltage terminal (non-polarized). Ground surface adapter housing to earth ground per state and local electrical regulations using conductor provided.

4. See Step 1 on sheet 2 for Electric Box location. Anchor Electric Box to withstand a minimum 50 lb. Pull. Electric Box shown installed in a vertical position.
5. Door closing mechanism should have a 3 lb. Closing force at the degree of door opening where door armature and electromagnet engage.
6. Mounting of Electric Box should be reinforced to withstand shock of door opening. Failure to do so will cause box anchors to work loose.
7. All dimensions given in inches (mm).
8. See sheet 2 for more details.

994M Door Release



TEMPLATE NUMBER	SHEET	REV	DATE
DR100350	1 of 2	2	01/22

1. Use table to locate Electric Box.

2. Determine door width (Dim "B"). Measure pivot centerline to wall (Dim. "A").
Find dimension "C" in table.

Example: Pivot centerline to wall ("A") = 10" (254mm)
 Door Width ("B") = 36" (914mm)
 Electric Box Centerline ("C") = 33" (838mm)

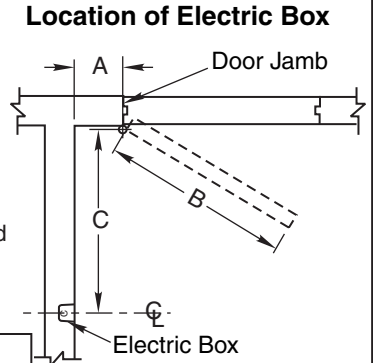
3. If "A" or "B" falls between the numbers listed in table, allow for difference.

Example: Pivot centerline to wall ("A") = 17" (432mm)
 Door Width ("B") = 36" (914mm)
 Electric Box Centerline ("C") = 30-1/4" (768mm)

4. If dimensions "A" and "B" intersect in shaded area of table DO NOT
 INSTALL ELECTRIC BOX. The degree of door opening will not permit
 proper alignment between armature and wall magnet.

5. Height to be determined by others. Suggested height is 2' to 4' (610mm to
 1219mm) from floor and/or not over 6' (1829mm).

6. Check degree of door opening in table and coordinate with door closers and
 other door hardware.



"A" – Pivot Centerline to Wall
 "B" – Door Width
 "C" – Pivot Centerline to
 Electric Box Centerline

Dim. "A"	Door Width "B"																							
	28" (711)		30" (762)		32" (813)		34" (864)		36" (914)		38" (965)		40" (1016)		42" (1067)		44" (1118)		46" (1168)		48" (1219)			
"C"	Deg.	"C"	Deg.	"C"	Deg.	"C"	Deg.	"C"	Deg.	"C"	Deg.	"C"	Deg.	"C"	Deg.	"C"	Deg.	"C"	Deg.	"C"	Deg.	"C"	Deg.	
2" (51)	26" (660)	90°	28" (711)	90°	29-7/8 (759)	90°	32" (813)	90°	34" (864)	90°	36" (914)	91°	38" (965)	91°	40" (1016)	92°	42" (1067)	92°	43-7/8 (1114)	92°	45-5/8 (1159)	92°		
4" (102)	26" (660)	93°	28" (711)	94°	29-7/8 (759)	94°	32" (813)	94°	34" (864)	94°	36" (914)	94°	38" (965)	94°	40" (1016)	94°	42" (1067)	94°	43-7/8 (1114)	94°	45-5/8 (1159)	94°		
6" (152)	25-5/8 (651)	97°	27-5/8 (702)	97°	29-5/8 (752)	97°	31-3/4 (806)	97°	33-3/4 (857)	97°	35-3/4 (908)	97°	37-3/4 (959)	97°	39-3/4 (1010)	97°	41-3/4 (1060)	97°	43-5/8 (1108)	96°	45-3/8 (1153)	96°		
8" (203)	25-1/4 (641)	103°	27-1/4 (692)	103°	29-1/4 (743)	103°	31-3/8 (797)	101°	33-1/2 (851)	100°	35-1/2 (902)	100°	37-3/8 (949)	100°	39-1/2 (1003)	99°	41-1/2 (1054)	99°	43-3/8 (1102)	98°	45-1/4 (1149)	98°		
10" (254)	24-5/8 (625)	107°	26-3/4 (679)	106°	28-3/4 (730)	106°	30-7/8 (784)	105°	33" (838)	104°	35" (889)	103°	37" (940)	103°	39-1/8 (994)	103°	41-1/8 (1045)	103°	43" (1092)	102°	44-7/8 (1140)	102°		
12" (305)	23-3/4 (603)	113°	25-7/8 (657)	111°	28" (711)	110°	30-1/8 (765)	108°	32-1/4 (819)	107°	34-3/8 (873)	107°	36-3/8 (924)	107°	38-1/2 (978)	106°	40-5/8 (1032)	106°	42-1/2 (1080)	104°	44-3/8 (1127)	104°		
14" (356)	22-3/4 (578)	117°	25" (635)	115°	27-1/4 (692)	114°	29-3/8 (746)	113°	31-1/2 (800)	112°	33-3/4 (857)	110°	35-7/8 (911)	109°	38" (965)	108°	40" (1016)	107°	42" (1067)	106°	43-7/8 (1114)	106°		
16" (406)	21-3/4 (552)	123°	24" (610)	120°	26-1/4 (667)	117°	28-1/2 (724)	116°	30-3/4 (781)	115°	33" (838)	114°	35-1/8 (892)	113°	37-1/4 (946)	112°	39-3/8 (1000)	112°	41-3/8 (1051)	110°	43-3/8 (1102)	108°		
18" (457)	20" (508)	127°	22-1/2 (572)	125°	25" (635)	123°	27-3/8 (695)	120°	29-3/4 (756)	117°	32" (813)	116°	34-1/4 (870)	116°	36-1/2 (927)	115°	38-5/8 (981)	114°	40-5/8 (1032)	113°	42-1/2 (1080)	112°		
20" (508)	18-1/4 (464)	134°	21" (533)	130°	23-1/2 (597)	127°	26" (660)	125°	28-1/2 (724)	123°	30-7/8 (784)	121°	33-1/8 (841)	119°	35-3/8 (899)	118°	37-5/8 (956)	117°	39-5/8 (1006)	115°	41-5/8 (1057)	114°		
22" (559)			18-3/4 (476)	132°	21-5/8 (549)	133°	24-3/8 (619)	130°	27" (686)	127°	29-3/8 (746)	125°	31-3/4 (806)	123°	34-1/8 (867)	121°	36-1/2 (927)	120°	38-5/8 (981)	118°	40-3/4 (1035)	116°		
24" (610)							22-1/2 (572)	132°	25-1/2 (648)	133°	28-1/8 (714)	130°	30-5/8 (778)	127°	33-1/8 (841)	125°	35-5/8 (905)	123°	37-7/8 (962)	121°	40" (1016)	119°		
26" (660)											26-1/4 (667)	132°	29" (737)	130°	31-5/8 (803)	128°	34-1/4 (870)	127°	36-1/2 (927)	125°	38-5/8 (981)	123°		
28" (711)															29-3/4 (756)	130°	32-1/2 (826)	129°	34-7/8 (886)	127°	37-1/8 (943)	126°		
30" (762)															27-3/4 (705)	132°	30-5/8 (778)	134°	33" (838)	130°	35-3/8 (899)	128°		
32" (813)																			31-3/8 (797)	132°	33-7/8 (860)	132°		

Dimensions given in inches (mm).

994M Door Release Location Sheet



TEMPLATE NUMBER	SHEET	REV	DATE
DR100350	2 of 2	2	01/22