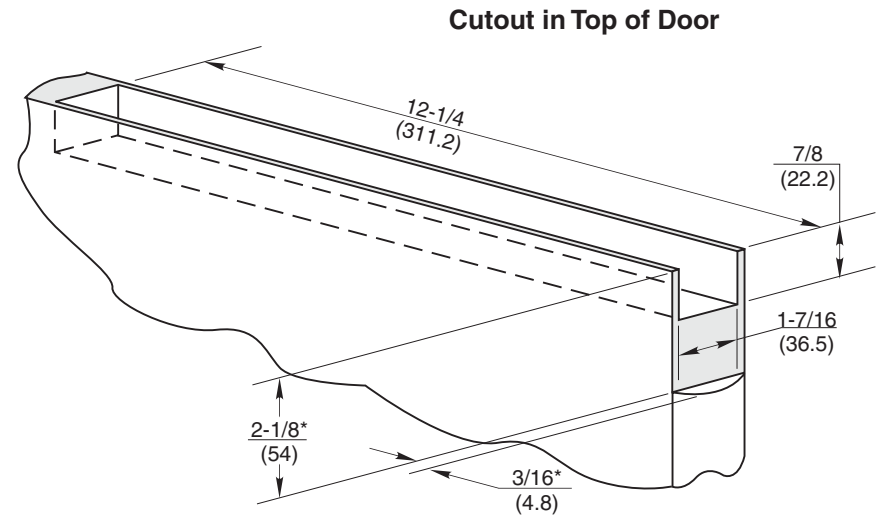
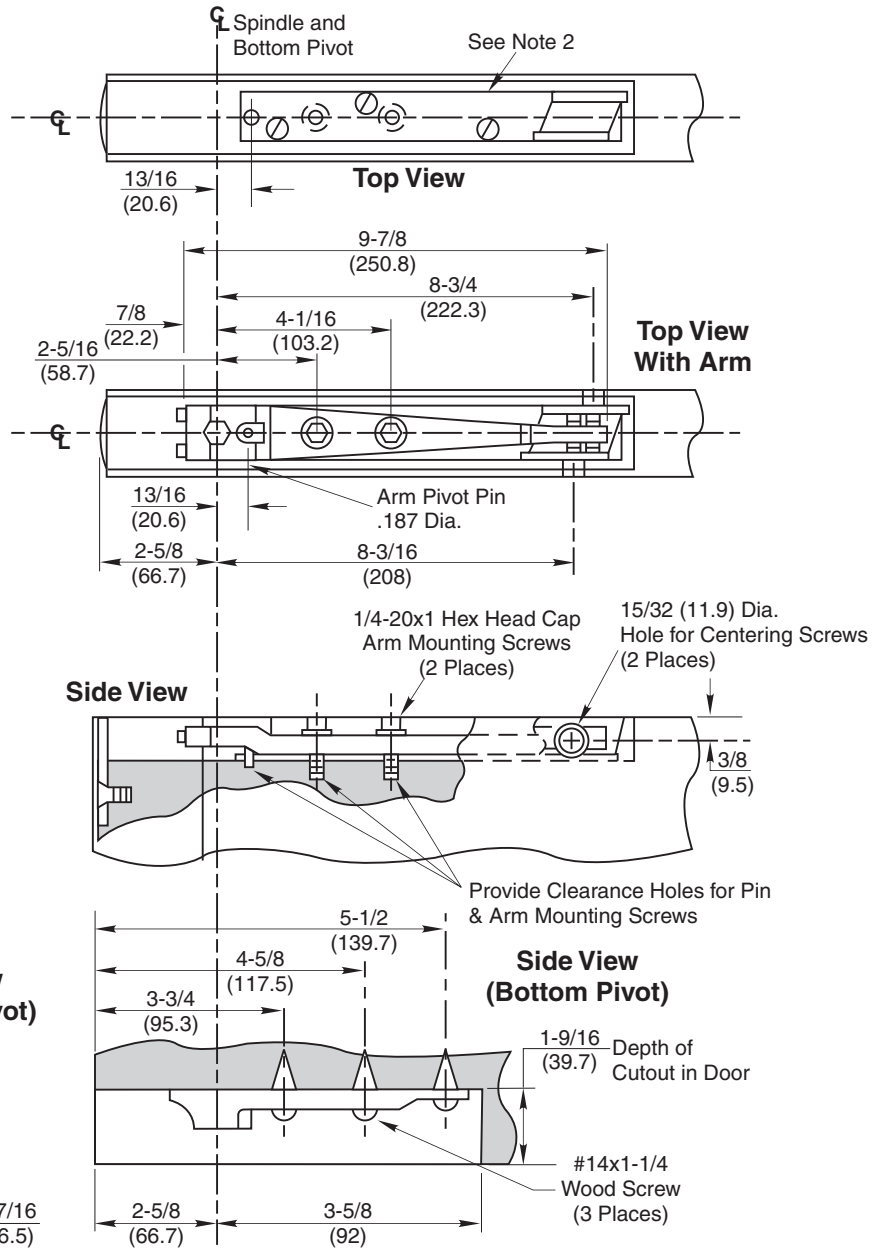


Wood Door Installation

NOTES:

1. Do not scale drawing.
2. Arm plate used with arm on wood doors. Attach with #14x1-1/4" FHWS.
3. No. 199 door end caps optional extra; mortise for top and bottom of door is identical.
4. Door radius recommended is 2-5/8" (66.7).
5. All dimensions given in inches (mm).



* Mortise only when end cap is specified. See Note 3.

AW608 Series Overhead Concealed Door Closer
Double or Single Acting for Aluminum Frame & Wood Door
Center Hung, End Loading



ASSA ABLOY

TEMPLATE NUMBER	REV	DATE
OC60490A	3	01/22