

M19 Series Intermediate Pivot

Models M19, FM19, M190, and FM190

3/4" Offset, Handed

Installation Instructions

⚠ WARNING

This product can expose you to lead which is known to the state of California to cause cancer and birth defects or other reproductive harm. For more information go to: www.P65warnings.ca.gov.

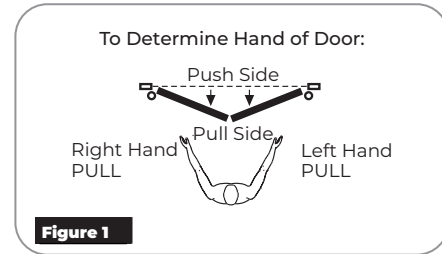
CAUTION

An incorrectly installed or improperly adjusted door closer can cause property damage or personal injury. These instructions should be followed to avoid the possibility of misapplication or misadjustment.

IMPORTANT: It is responsibility of door and frame manufacturers to check hardware schedule and prepare doors and frames. The following instructions cover field prep.

READ AND FOLLOW ALL INSTRUCTIONS.
SAVE THESE INSTRUCTIONS.

Ce produit peut vous exposer au plomb qui, dans l'état de la Californie, est reconnu pour causer le cancer, des anomalies congénitales ou d'autres problèmes de reproduction. Pour plus d'informations, visitez: www.P65warnings.ca.gov.

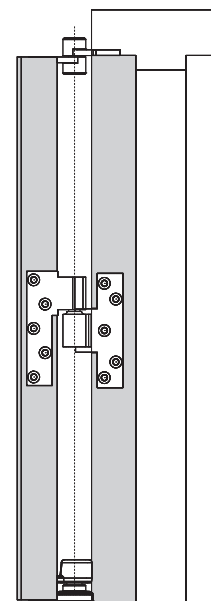
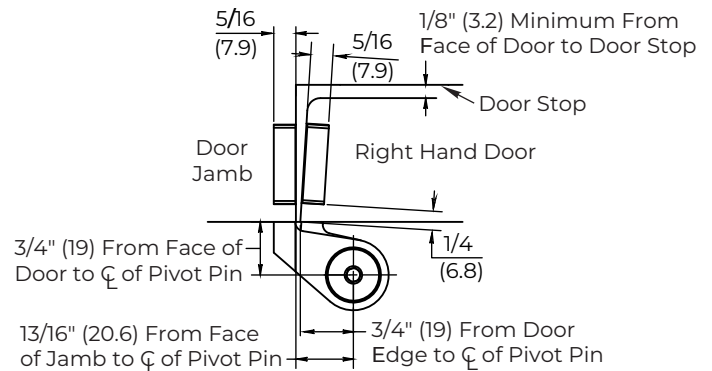


A. Install intermediate pivot.

1. Determine hand of door for proper placement of intermediate pivot. (Figure 1)

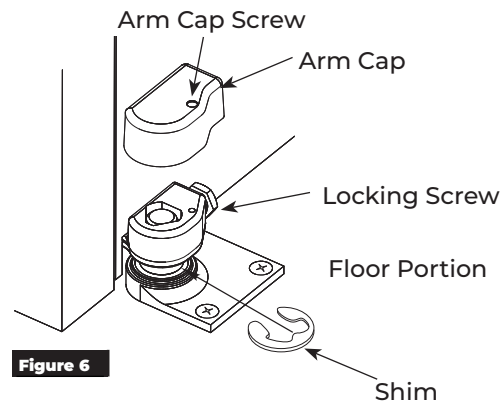
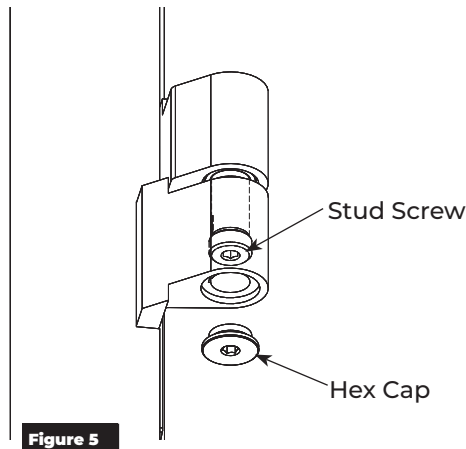
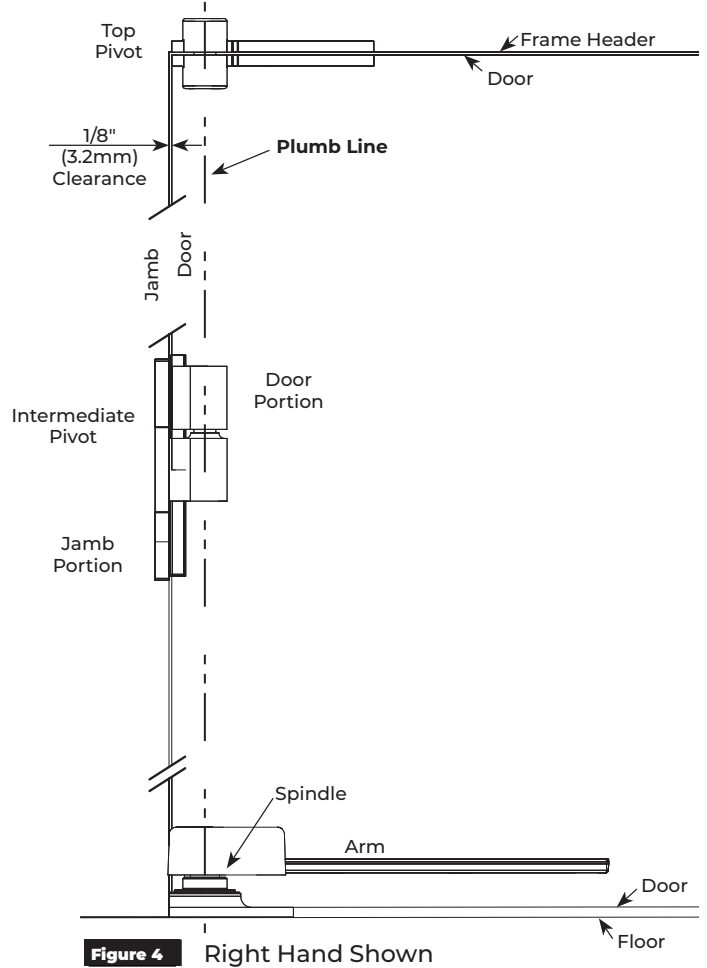
NOTES:

- Door should already be hung with top pivot and bottom pivot or floor closer.
 - Doors 60" - 90" (152.4cm - 228.6cm) in height should use one Intermediate pivot; each additional 30" (76.2cm) warrants an additional Intermediate pivot.
2. Locate pivot(s) so that it is vertically in alignment with centerpoint of top pivot and bottom spindle and mark pivot leaf locations on door and frame. (Figure 2)
 3. Mortise door and frame. (Figure 3) Refer to template IP50050.
 4. Using pivot leaf as a template mark and prepare mounting holes on door and frame. (Figure 3)
 5. Install jamb portion of pivot in frame using five (5) 1/4-20 x 5/8" FHMS or #14 x 1-1/2" FHWS screws provided.
 6. Install door portion of pivot in door using five (5) 1/4-20 x 5/8" FHMS or #14 x 1-1/2" FHWS screws provided.



B. Adjust door height:

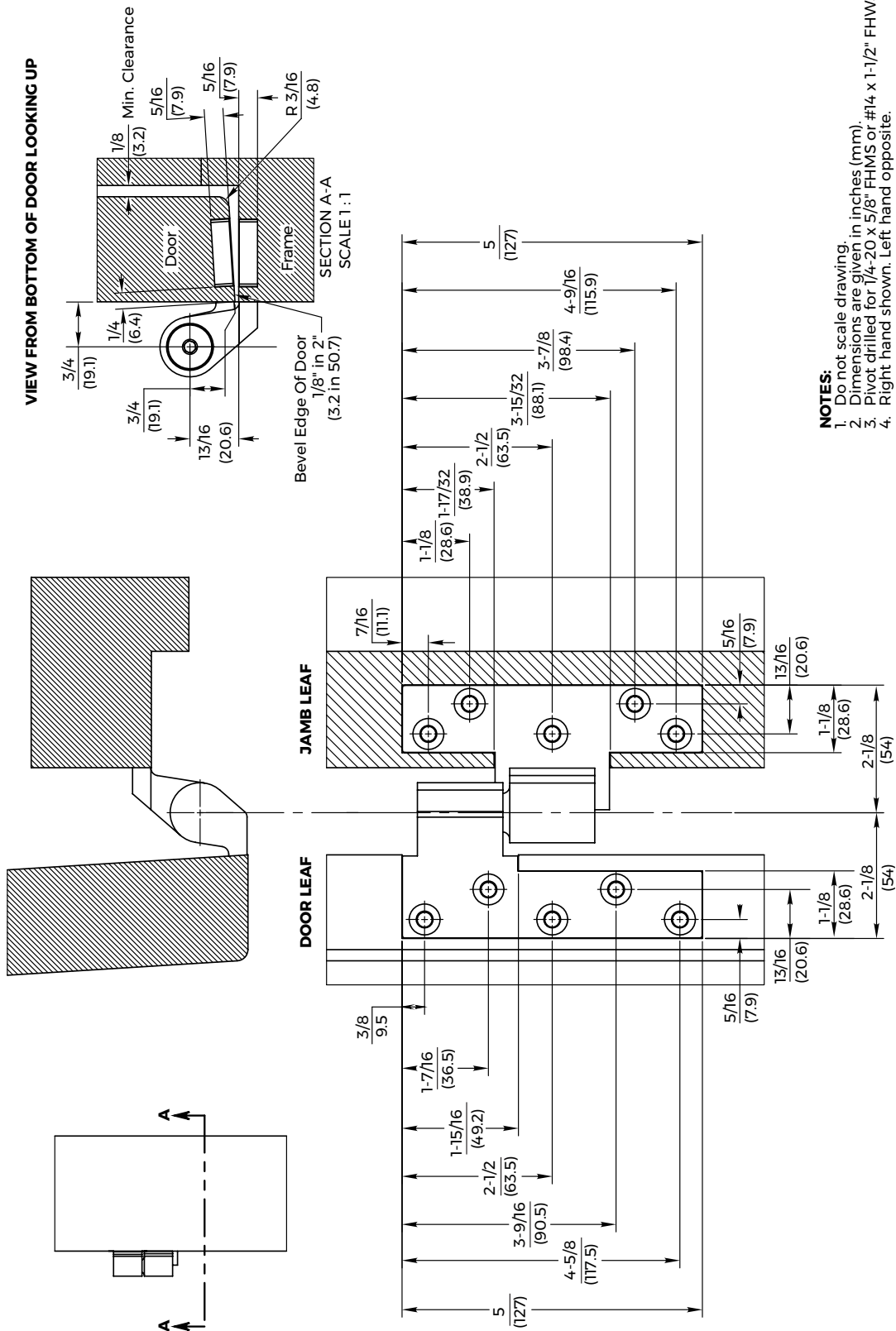
1. Remove arm cap and loosen locking screw of bottom pivot arm. (Figure 6)
2. Remove hex cap from bottom of intermediate pivot. (Figure 5)
3. Turn stud screw clockwise to raise the door to desired height. (Figure 5)
4. Using shims furnished with bottom arm, fill gap between arm and bottom pivot floor portion. (Figure 6)
5. Turn stud screw counter clockwise until door rests on shims. (Figure 5)
6. Tighten locking screw of bottom pivot. (Figure 6)
- NOTE:** Open and close door several times. Make shim adjustments until door swings freely.
7. Re-tighten locking screw and replace arm cap. (Figure 6)
8. Replace hex cap of intermediate pivot. (Figure 5)



Models M19, FM19, M190, and FM190

3/4" Offset, handed

Template IP50050



- NOTES:**
- Do not scale drawing.
 - Dimensions are given in inches (mm).
 - Pivot drilled for 1/4-20 x 5/8" FHMS or #14 x 1-1/2" FHWS.
 - Right hand shown. Left hand opposite.

The ASSA ABLOY Group is the global leader in access solutions. Every day we help people feel safe, secure and experience a more open world.



ASSA ABLOY

Technical Product Support:
Monroe, NC 28112 USA
Phone: 877.974.2255 ext: 2
Techsupport.NortonRixson@assaabloy.com
NortonRixson.com

Norton Rixson is a brand associated with ASSA ABLOY Accessories and Door Controls Group, Inc., an ASSA ABLOY Group company. Copyright © 2006, 2009, 2022, 2024, ASSA ABLOY Accessories and Door Controls Group, Inc. All rights reserved. Reproduction in whole or in part without the express written permission of ASSA ABLOY Accessories and Door Controls Group, Inc. is prohibited.

Approved 2024-06-03

IS-M19 Rev 5 05/24