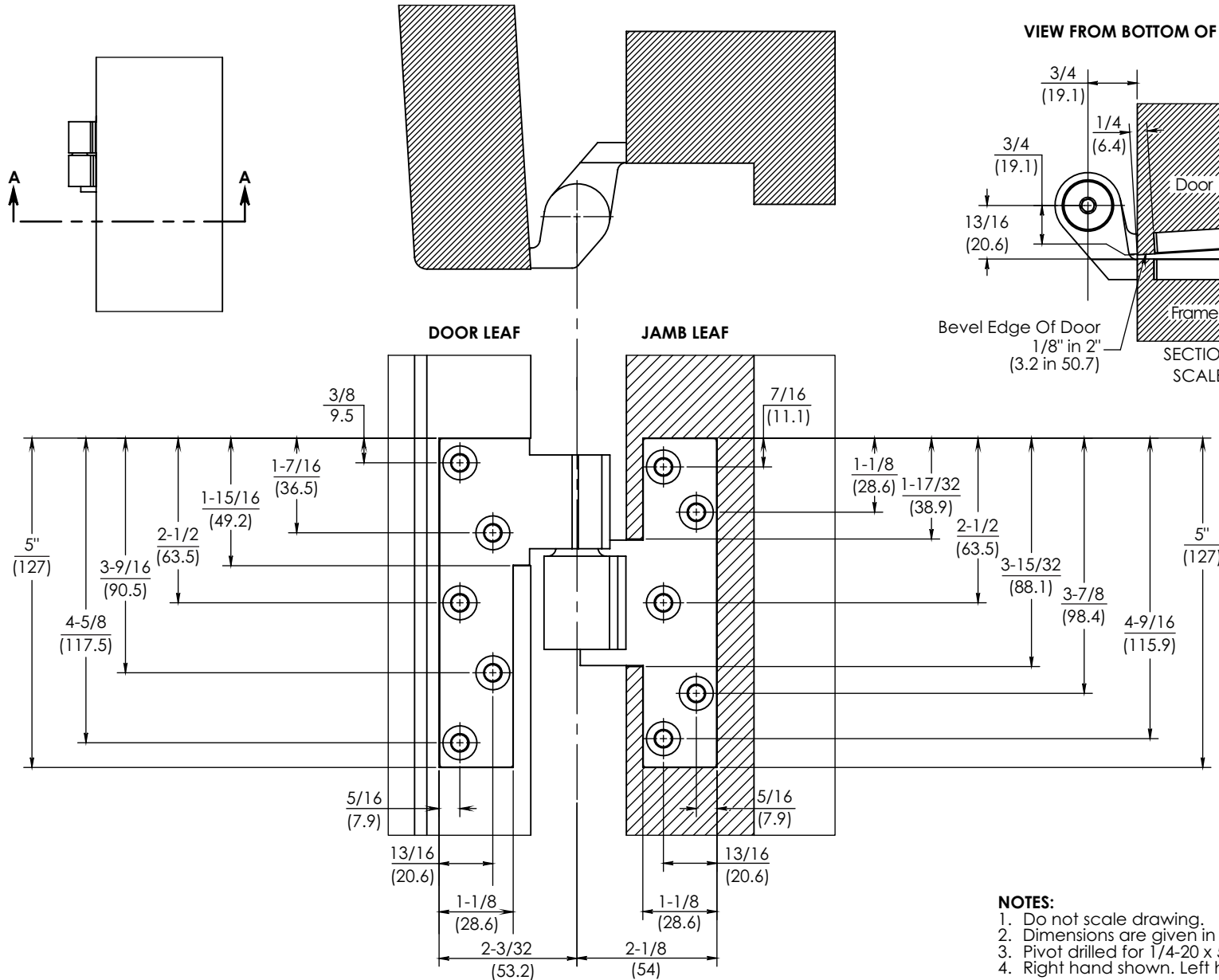
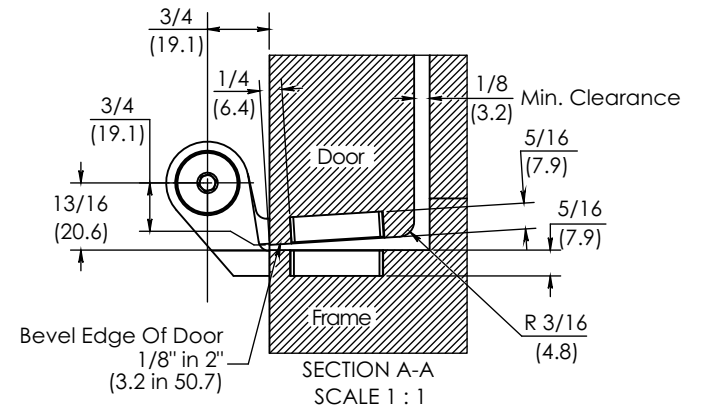


VIEW FROM BOTTOM OF DOOR LOOKING UP



NOTES:

1. Do not scale drawing.
2. Dimensions are given in inches (mm).
3. Pivot drilled for 1/4-20 x 5/8" FHMS or #14 x 1-1/2" FHWS.
4. Right hand shown. Left hand opposite.

**CGOM19 Intermediate Pivot
 3/4" Offset Hung**



ASSA ABLOY

TEMPLATE NUMBER	REV	DATE
IP50051	1	02/22