

CloserPlus Spring™ Arm Assembly Instructions

⚠ WARNING

This product can expose you to lead which is known to the state of California to cause cancer and birth defects or other reproductive harm.

For more information go to www.P65warnings.ca.gov.

Ce produit peut vous exposer au plomb qui, dans l'état de la Californie, est reconnu pour causer le cancer, des anomalies congénitales ou d'autres problèmes de reproduction.

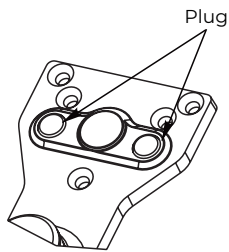
Pour plus d'informations, visitez: www.P65warnings.ca.gov.

ATTENTION:

An incorrectly installed or improperly adjusted door closer can cause property damage or personal injury. These installation instructions should be followed to avoid the possibility of misapplication or misadjustment.

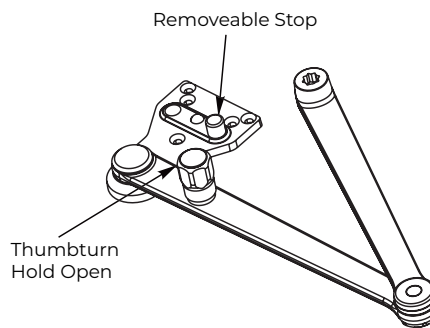
Where severe or abusive conditions are expected, a separate door stop, supplied by others, is recommended to assist in preventing damage to the door closer, closer arm, door frame or adjacent walls.

CPSK6770 Kit to be used with:



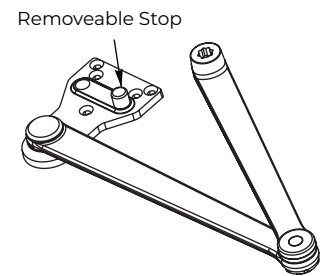
Parallel Rigid

(Non-Hold Open or Hold Open Arms)



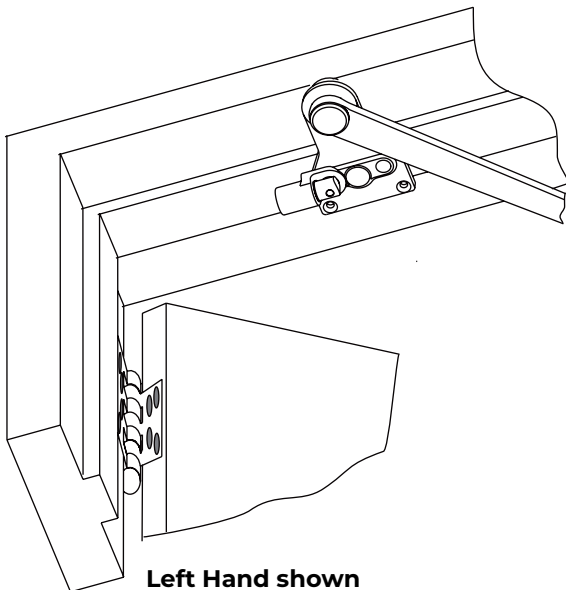
CloserPlus®

(Hold Open Arms w/Thumbturn)



CloserPlus®

(Non-Hold Open Arms)



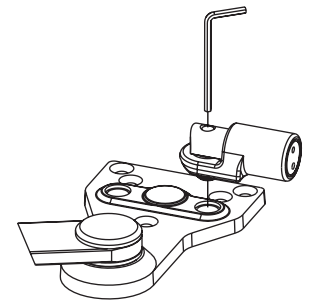
Left Hand shown

New Arm ONLY:

1. Determine hand of arm required and remove appropriate hole cap.
2. Position spring buffer assembly on soffit plate and install using 5/32" hex wrench provided.

Existing Arm ONLY:

1. Remove stop from existing plate using 5/32" hex wrench provided.
2. Position spring buffer assembly on soffit plate and install using 5/32" hex wrench.



Technical Product Support:
Monroe, NC 28112 USA
Phone: 877.974.2255 ext: 2
Techsupport.NortonRixson@assaabloy.com
NortonRixson.com

Copyright © 2019, 2020, 2022, ASSA ABLOY Accessories and Door Controls Group, Inc. All rights reserved. Reproduction in whole or in part without the express written permission of ASSA ABLOY Accessories and Door Controls Group, Inc. is prohibited.

80-9300-0001-020 Rev 5 02/23

Approved 2023-02-07

Experience a safer
and more open world