

CATALOG



ASSA ABLOY

Experience a safer
and more open world

DOOR CONTROL ACCESSORIES

Special Condition Accessories and Installation Aids to
Give the Owner the True Benefit of Using Floor Closers
and Pivots

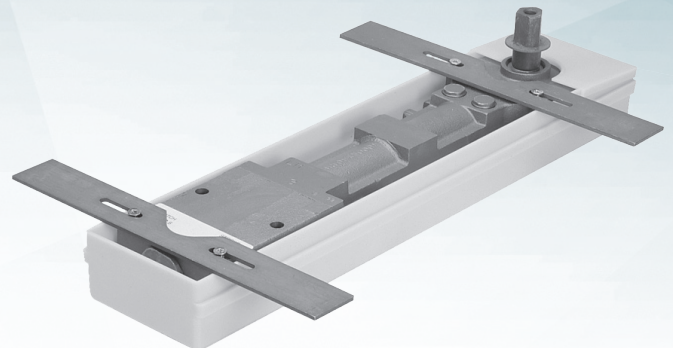
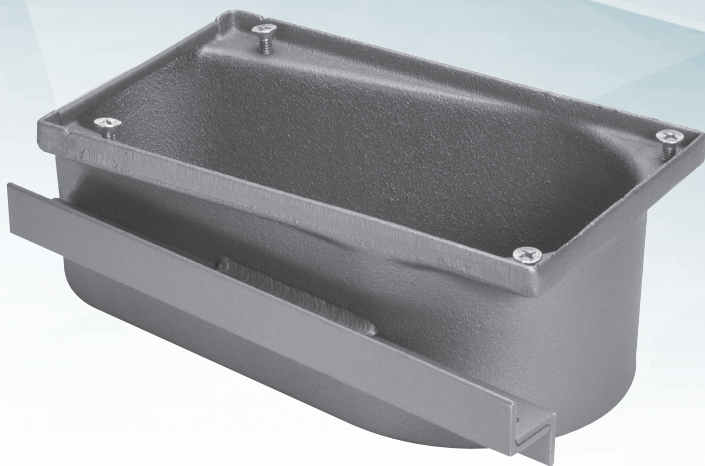


TABLE OF CONTENTS

DOOR CONTROL ACCESSORIES

Caster

10600 Single Roller Caster	3
10602 Double Roller Caster	3

Applied Stop

60131 Lock Edge Applied Stop (center hung doors).....	3
---	---

Special Cement Cases

1101 Cement Case (use between 2 slabs)	4
79501 Cement Case (use with shallow floors)	4
25204 Twin Cement Case (1-7/8" Mullion for back-to-back closers)	5
25304 Twin Cement Case (2" Mullion for back-to-back closers).....	5

Cover Pans

846 Cover Pan for 27 closer	6
3910 Cover Pan for L27 closer	6
2237 Cover Pan for 28 closer x 554 flat arm.....	6
841 Cover Pan for 28 closer, centering arm.....	6
841B Cover pan for H28 closer.....	6
2637 Cover Pan for 51 closer.....	6
2807D Cover Pan for 53 closer.....	6
2807B Cover Pan for 50 closer x 554 flat arm	6
2807A Cover Pan for 50 closer, centering arm	6

Installation Tools

2604/2608 Alignment Tools	7
1859001 27/28/30/40 Quickspotter	7
1859501 Q27 Quickspotter	7
1855051 50/51/53 Quickspotter	7

CASTERS, APPLIED STOPS

DOOR CONTROL ACCESSORIES

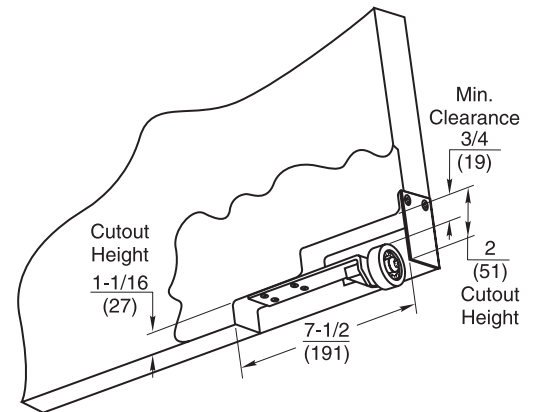
10600, 10602 CASTERS

Application

- Casters are required for all doors over 5' wide that are pivoted near the heel edge of the door
- For doors weighing up to 730 lbs., specify model 10600 (single roller)
- For doors weighing up to 1500 lbs., specify model 10602 (double roller)
- Metal doors minimum 1-3/4" thickness
- Wood doors minimum 2-1/4" thickness
- Three 1/16" shim plates included for adjustment after door is installed
- Optional end cap to finish off edge of door 10600-019
- Hollow metal mounting plate available
- For low frequency usage
- For interior door installations
- For pivot doors only
- Patented



Technical Information



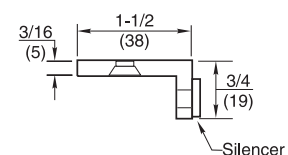
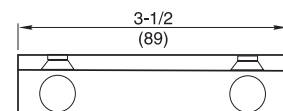
60131 LOCK EDGE APPLIED STOP

Application

For center hung doors with single acting closers. Mount to underside of frame head at the lock edge to keep doors from resting past center.



Technical Information



SPECIAL CEMENT CASES

DOOR CONTROL ACCESSORIES

For Exterior Expansion Joints or Between Slab Applications

1101 CEMENT CASE

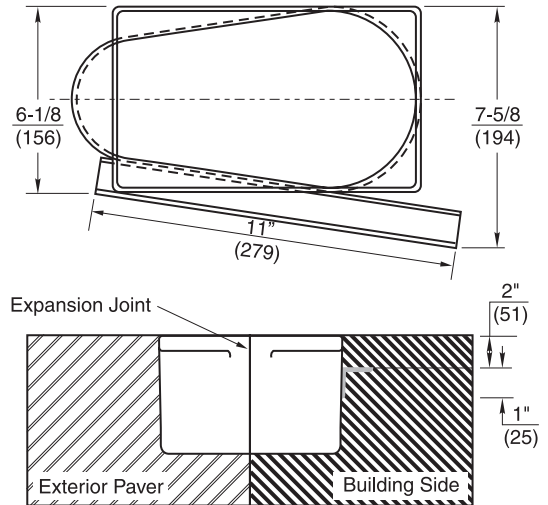
Application

At expansion joints, angle is applied to one side of a cast iron cement case allowing it to anchor to interior slab. Outside edge of slab independent of exterior slab.

To be used with 27 or 28 closers. Not recommended for L or H series - extra heavy duty models. Specify hand or door swing.



Technical Information



For Shallow Depth Floors

79501 HEAVY-DUTY CEMENT CASE

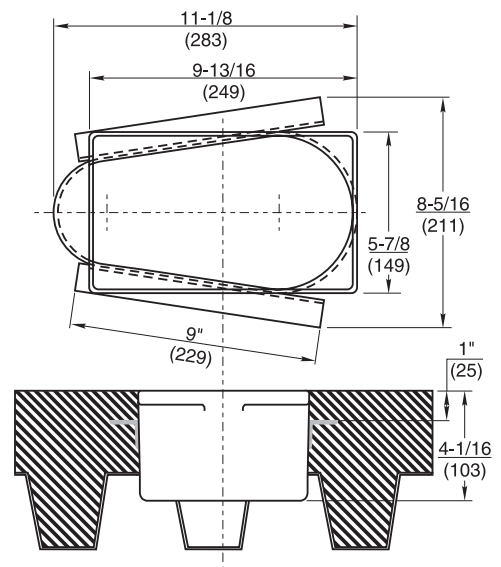
Application

When a shallow concrete floor (less than 4-1/2") presents installation difficulties, there is no need to sacrifice proper door control. Heavy-duty closers (27 and 28) that are normally furnished with cyclocac cases may be ordered with metal cases that have steel angles welded to the sides. For 30 or 40 series closers, contact factory.

Not recommended for L or H series - extra heavy duty models. When concrete is poured, the only concern is that the angles be stable.



Technical Information



SPECIAL CEMENT CASES

DOOR CONTROL ACCESSORIES

25304, 25204 TWIN CEMENT CASES

Application

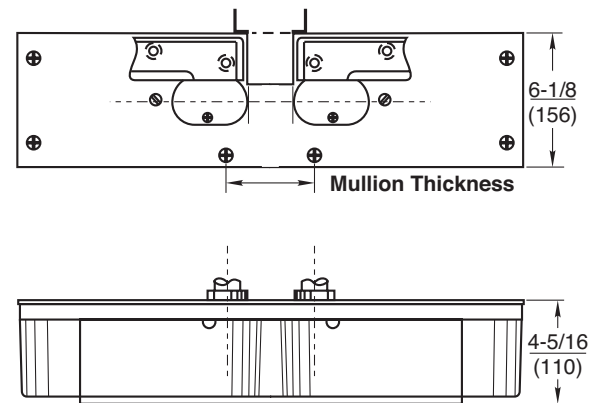
27 closers cannot be mounted back-to-back where space between doors is less than 2-7/8" (73mm), without modification.

- For applications that have a 2" (51mm) mullion separating the offset closers, specify a 25304 Twin Cement Case
- For applications that have a 1-3/4" (48mm) mullion separating the offset closers, specify a 25204 Twin Cement Case

Closers are also modified.

When a twin cement case is ordered, mullion width must be indicated. Both closers and cement cases must be ordered at the same time. Field modification to standard product is not possible.

Technical Information



COVER PANS

Application

To ensure the aesthetics of a continuous floor line, a cover pan can be used in lieu of a closer floor plate. A cover pan is filled with flooring material (terrazzo, marble, tile, etc.) and is then placed on top of the floor closer. This allows access to the floor closer for maintenance.

Specify stainless steel or brass, exact closer being used, hand, and depth of pan. (7/8" (22mm) is standard.) Deduct cost of floor plate, add for extended spindles, and add for cover pan.

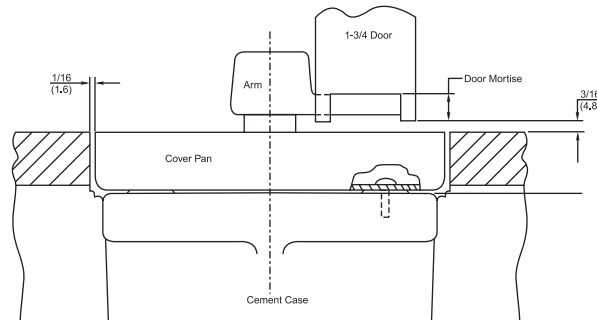
For pan depths and closer spindle information, refer to "Templates" and "Door Control Accessories". Common cover pan part numbers include:

846	27 closer, all depths for 1-3/4" doors. Consult factory for doors greater than 1-3/4".
3910	L27 closer, all depths for 1-3/4" doors. Consult factory for doors greater than 1-3/4".
2237	28 closer x 554 flat arm, all depths
841	28 closer, centering arm, all depths
841B	H28 closer and H28 x 587 arm
2637	51 closer, all depths for 1-3/4" doors. Consult factory for doors greater than 1-3/4".
2807D	53 closer, all depths
2807B	50 closer x 554 flat arm, all depths
2807A	50 closer, centering arm, all depths

Any other closer models will be special layouts. Contact factory for correct product numbers and pricing.



Technical Information



Note: Closers that are "buried" under floor materials, that do not have Norton Rixson cover pans, will not be covered by warranty.

INSTALLATION TOOLS

DOOR CONTROL ACCESSORIES

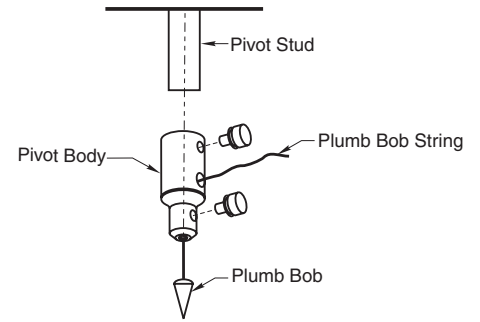
2604/2608 ALIGNMENT TOOLS

Application

- Reuseable tool ensures proper alignment of top and bottom pivot or closer
- May be used for offset or center hung installations
- Plumb line and bob not included
- Can be reused for future/additional installations
- Specify 2604 for use with the 180 offset and 340 center hung top pivots
- Specify 2608 for use with the H340 and H345 heavy-duty, center hung top pivots



Technical Information

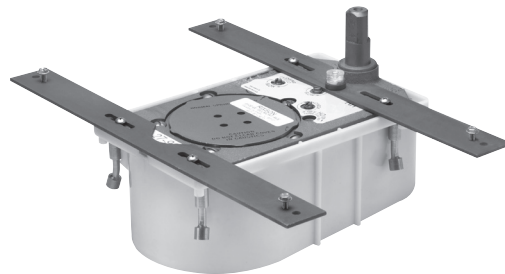


1859001 QUICKSPOTTER

Application

Metal straps are attached to the closer to suspend it during setting. Locator indicates proper placement of spindle. The level ensures a leveled installation.

- Spindle locator plate (for offset and center hung installations)
- Two spotter straps with leveling screws
- Bubble level
- May be used on Models 27, 28, 30, 40
- Can be reused for future/additional installations
- For Q27 specify model 1859501 Quickspotter

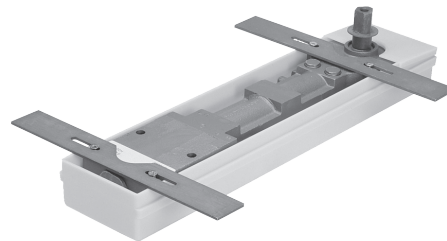


1855051 QUICKSPOTTER

Application

Metal straps are attached to the closer to suspend it during setting. Locator indicates proper placement of spindle. The level ensures a leveled installation.

- Spindle locator plate (for offset and center hung installations)
- Two spotter straps with leveling screws
- Bubble level
- May be used on models 50, 51, and 53
- Can be reused for future/additional installations



The ASSA ABLOY Group is the global leader in access solutions.
Every day, we help billions of people experience a more open world.

ASSA ABLOY Opening Solutions leads the development within door openings and products for access solutions in homes, businesses and institutions. Our offering includes doors, frames, door and window hardware, mechanical and smart locks, access control and service.



ASSA ABLOY

Since 1880, Norton Rixson door controls have been an integral part of schools, hospitals and businesses around the globe. When you need products and people that perform at the highest level, rely on Norton Rixson – From Open to Close.

NORTON RIXSON | WWW.NORTONRIXSON.COM

3000 Highway 74 East | Monroe, NC 28112 | Tel: 1 877 974 2255

ASSA ABLOY OPENING SOLUTIONS DOOR SECURITY SOLUTIONS CANADA | WWW.ASSAABLOYDSS.CA

160 Four Valley Drive | Vaughan, Ontario, L4K 4T9 Canada | Tel: 800 461 3007