

**Notes:**

1. Do not scale drawing.
2. Dimensions are given in inches (mm).
3. Right hand shown.
4. Machine Screw Size #12-24 x 3/4 FHMS  
Wood Screw Size #12 x 1-1/2 FHWS

**EF519 Pocket Pivot**

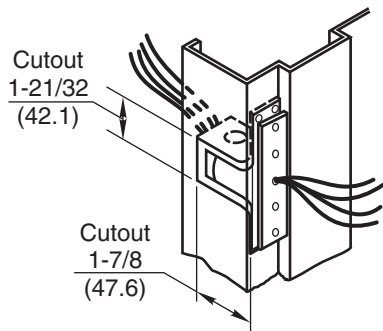
**RIXSON**  
ASSA ABLOY

www.rixon.com

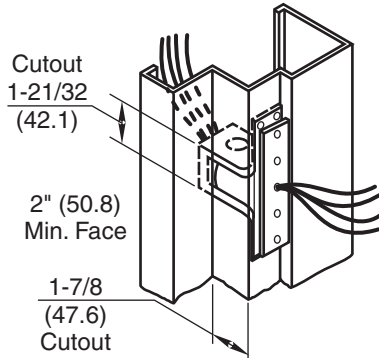
TEMPLATE NUMBER	REV	DATE
<b>IP50510</b>	<b>3</b>	<b>05-24</b>

- A. Open Pivot 90° to expose screw holes and attach door leaves of all pivots required to door using appropriate fasteners.  
 B. Install door and pivot assembly to jamb by supporting door at the proper height and sliding toward jamb so that pivots enter the jamb pockets and mortises.

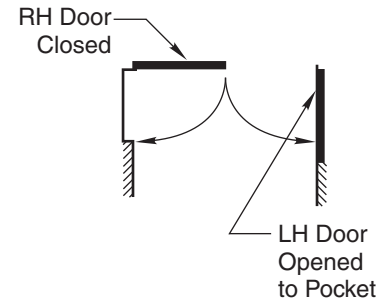
- C. With door properly supported and opened approximately 60° or more to expose screw holes. Attach pivot jamb leaf to jamb using appropriate fasteners.



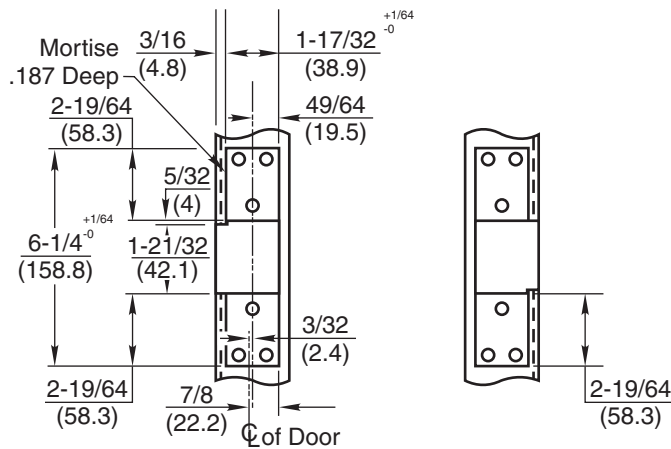
**Right Hand Frame  
(Jamb Style 1)**



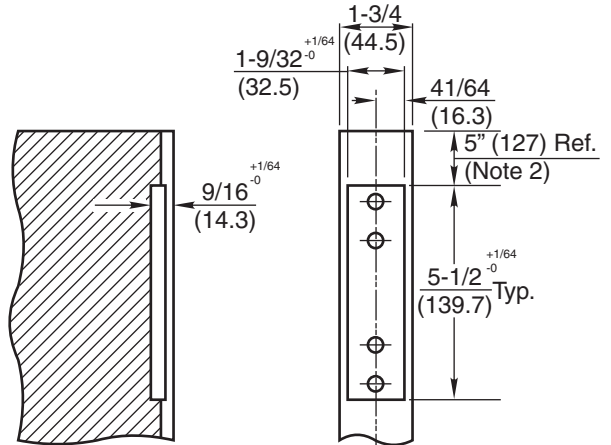
**Right Hand Frame  
(Jamb Style 2)**



**Key Plan  
Pair of Doors**



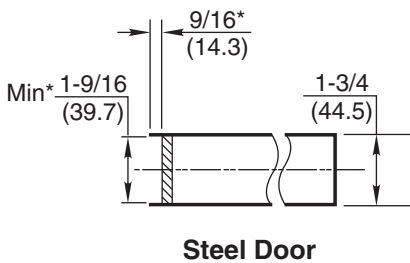
**Mortise Detail, Steel Frame**



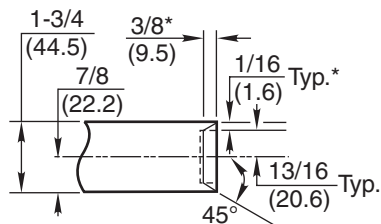
**Wood Application Shown  
Dimensions Same for Steel Door  
Door Mortise Detail**

**Notes:**

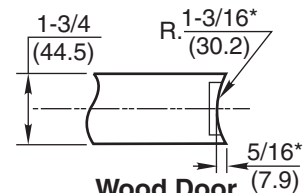
- \* Prepare full length of door to these dims.
- Use standard spacing to suit size of door.
- Use 1 pivot for every 30" (762) of door height.
- Use 1 pivot for every 90 lbs. of door weight.



**Steel Door**



**Wood Door  
(Style 1)**



**Wood Door  
(Style 2)**

Door Jamb Clearance 7/64 (2.8) - Hinge Side

**EF519 Pocket Pivot**

**RIXSON®**  
**ASSA ABLOY**

www.rixson.com

TEMPLATE NUMBER	REV	DATE
<b>IP50510</b>	<b>3</b>	<b>05-24</b>