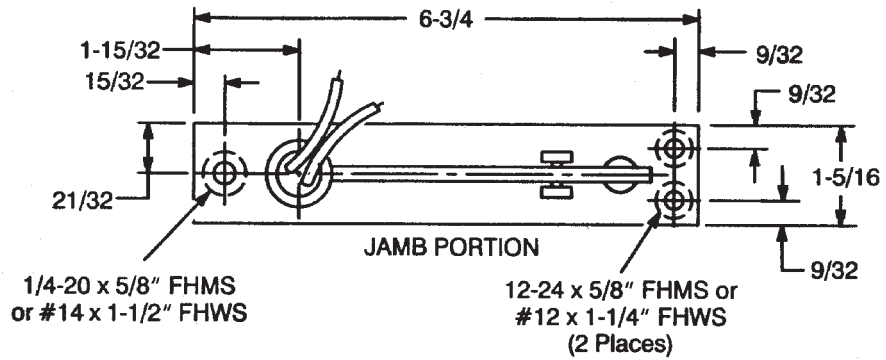
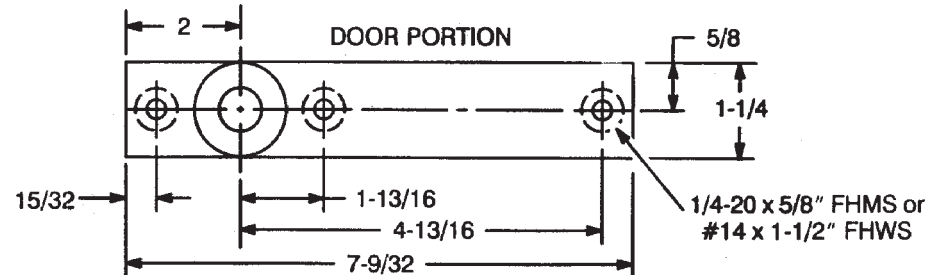
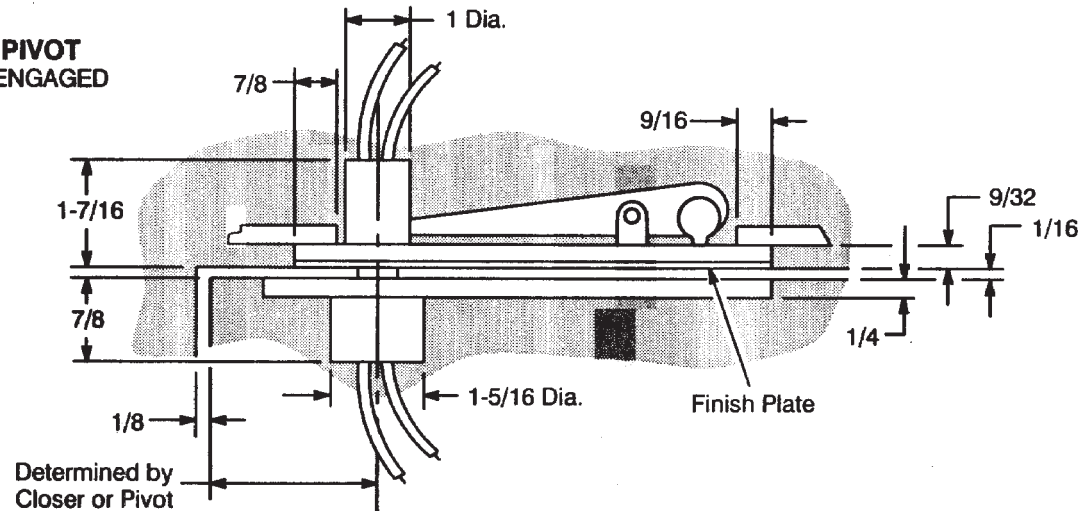


Notes:

1. Do not scale drawing.
2. All dimensions are in inches. Conversion to metric = inch x 25.4.
3. Electrical Ratings: Two types of wiring are offered:
 - Specify EH340-2 for two-wire #18 AWG circuits, rated 3 amps continuous. Low voltage only.
 - Specify EH340-4 for four-wire #24 AWG circuits, rated 2 amps continuous. Low voltage only.



**Eh340 TOP PIVOT
 PIVOT SHOWN ENGAGED**



**Eh340 Top Pivot
 Center Hung With Concealed Wires**



ASSA ABLOY

TEMPLATE NUMBER	REV	DATE
TP40230	3	01/22