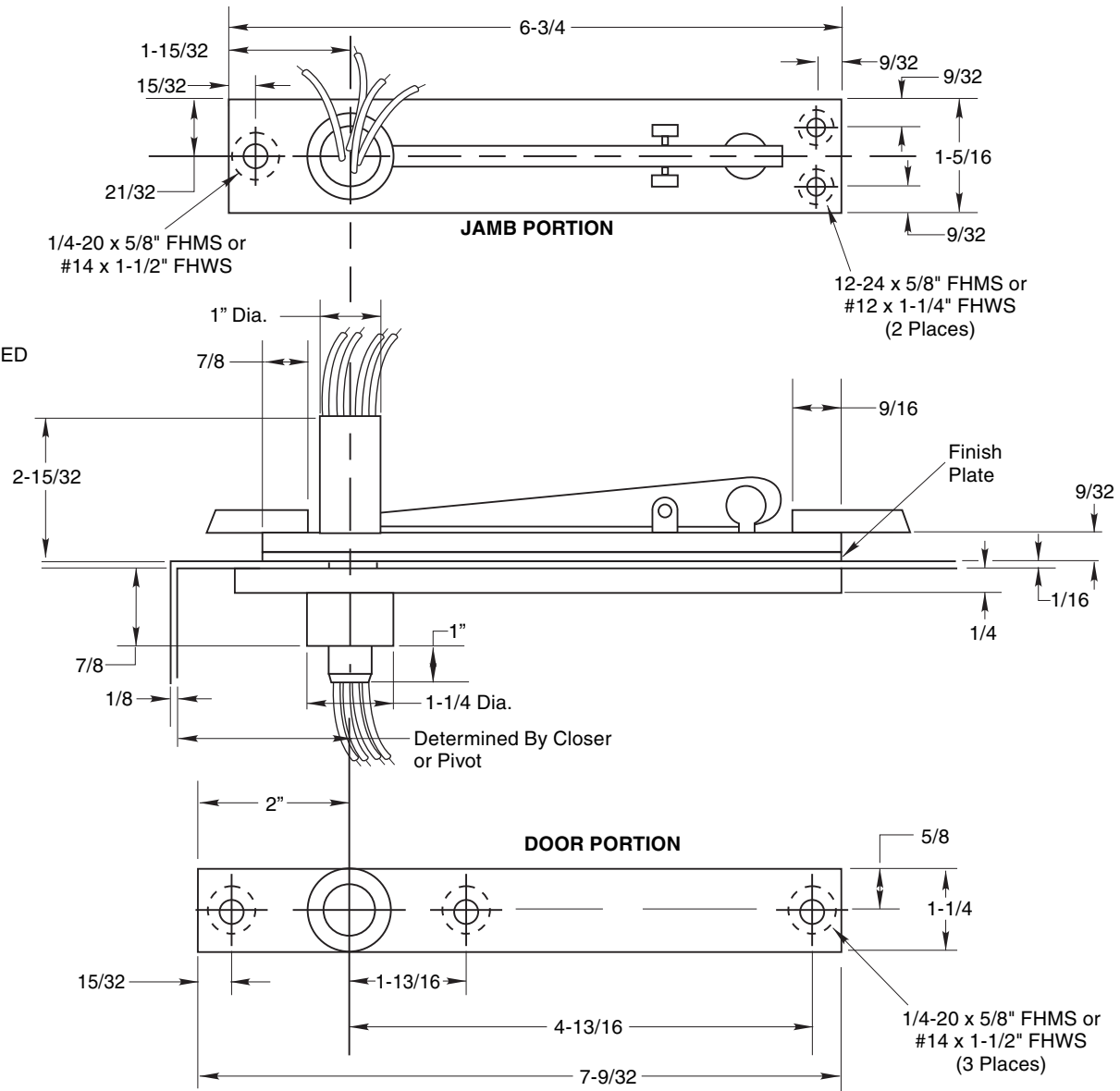


**Notes:**

1. Do not scale drawing.
2. All dimensions are in inches. Conversion to metric = inch x 25.4.
3. **Electrical Ratings:** Two types of wiring are offered:
  - Specify EH345-2 for two-wire #18 AWG circuits, rated 3 amps continuous. Low voltage only.
  - Specify EH345-4 for four-wire #24 AWG circuits, rated 2 amps continuous. Low voltage only.

**EH345 TOP PIVOT  
 PIVOT SHOWN ENGAGED**



**Electrified Center Hung Top Pivot for Power Transfer  
 EH345**



TEMPLATE NUMBER	REV	DATE
<b>TP40252</b>	<b>3</b>	<b>01/22</b>

Approved 2023-12-15