

CATALOG



ASSA ABLOY

Experience a safer  
and more open world

# ELECTRIFIED CLOSERS AND HOLDERS



# TABLE OF CONTENTS

## ELECTRIFIED CLOSERS AND HOLDERS

<b>7100SZ</b>	
Introduction, Features, Benefits, Certifications, Patents.....	3
Specifications .....	4
7110SZ, 7150SZ .....	5
7120SZ, 7130SZ .....	6
Parts List.....	7
How To Order .....	8
<b>7200</b>	
Introduction, Features, Benefits.....	9
Overview, Certifications, Specifications.....	10
Explanation of Features .....	11
7210MPSO, 7210RFS, 7250MPSO.....	12
7220MPSO, 7220RF, 7230MPSO, 7230RFS.....	13
7240.....	14
7290.....	15
Parts List.....	16
How To Order .....	17
<b>7700PT</b>	
Introduction, Features, Benefits, Overview, Certifications.....	18
Explanation of Features, Voltage Info. ....	19
7705PTO.....	20
P7705PTO .....	21
Electrical Info., Specifications .....	22
Parts List.....	23-24
How To Order .....	25
<b>Smok-Chek® V, Checkmate® 99</b>	
Introduction, General Info, Specifications.....	26
<b>Smok-Chek V</b>	
0600, 0601 .....	27
0602, 0100 .....	28
0101.....	29
How To Order, Product Comparison Chart.....	30
Parts List.....	31-32
<b>Checkmate 99</b>	
99-726, 99-926.....	33
How To Order .....	34
Parts List.....	35

# 7100SZ SAFEZONE®

## ELECTRIFIED CLOSERS AND HOLDERS

### INTRODUCTION

The 7100 Series SafeZone® door closer safeguards occupants throughout a variety of facilities with the detection of movement through doorways and intelligent door control functions. A multi-point electromechanical closer with a programmable motion sensor allows the door to open manually and remain open when one or more people travel through the opening.





### FEATURES

- Multi-point, electromechanical closer/holder
- Sensor detects movement in both directions
- Selectable hold open time and sensitivity
- Push or pull side mounting
- Handed units
- Spring sizes 3, 4 or 5 (models 7110SZ and 7150SZ);  
Spring sizes 2, 3, 4 or 5 (models 7120SZ and 7130SZ)
- Fail safe operation
- Optional dual sensor
- 2-year limited warranty

### BENEFITS

- Energy savings realized by power engaging only when motion is detected
- Extends door life and minimizes wear and tear on hardware by limiting unnecessary cycles

### CERTIFICATIONS

- CAL FIRE, 3550-0944:0112
- Models 7122SZ, 7132SZ, 7113SZ and 7153SZ meet requirements for Americans with Disabilities Act (ADA) and ANSI A117.1
- Environmental Product Declaration (EPD) 
- UL10C positive pressure up to 3 hours 
- UL-cUL listed
- Manufactured in an ISO 9001, ISO14001 facility

### PATENTS

- [assaabloydss.com/patents](https://assaabloydss.com/patents)

### SPECIFICATIONS

Manufacturer: Door closers for both interior and exterior openings are to be the product of a single source manufacturer.

Electromechanical closer units to be a multi-point, closer/holder type with selective hold open positioning achieved by electronic solenoid locking of closer arm slide into the track assembly. Closer/holder units to have a maximum opening of 180° (hold open to 175°) and are fail safe to close the door in the event of electrical power interruption.

SafeZone Detection: Closer/holders units to have an integral sensor device monitoring a “zone of safety” at the door opening. SafeZone detection prevents the door from closing in the event of movement within the adjustable sensing field. Movement is detectable in both directions with selectable closer hold open time and sensor sensitivity.

Mechanical closer to be hydraulic type with full rack and pinion construction enclosed in a cast aluminum alloy shell. Internal hydraulic fluid is to be non-gumming and non-freezing. Include two non-critical valves to independently regulate sweep and latching speeds and an adjustable backcheck cushioning valve. All valves are adjustable by hex key. Provide spring power adjustment permitting a 50% increase in closing power over the minimum closing force for any closer size.

Mounting: Closer units can be surface mounted to the frame face for application on the pull (hinge side) side of door, or soffit mounted on the push side of the door frame with projection of no more than 2-5/8" (67mm) from the frame face. Frame face must be a minimum 2" and ceiling clearance a minimum of 4". Door must be hung on either butt hinges or 3/4" offset pivot hinges, minimum 1-3/4" to 2-1/4" thickness.

Installation: Provide optional handheld remote device for programming SafeZone sensor settings. Auxiliary door stops are recommended at closer/holder openings and required at doors opening beyond 110°. Interior installation only.

Power: Closer units operate on (120VAC , 60Hz) or (24VDC) with an amperage draw not exceeding (.086 Amps for 24VDC) (.051 Amps for 120VAC). Supplier to coordinate electrical requirements with electrical and alarm system engineers. Field wiring (and conduit) by others.

Electromechanical SafeZone Closer/Holder to be Norton Rixson 7100SZ Series.

# 7100SZ SAFEZONE®

## ELECTRIFIED CLOSERS AND HOLDERS

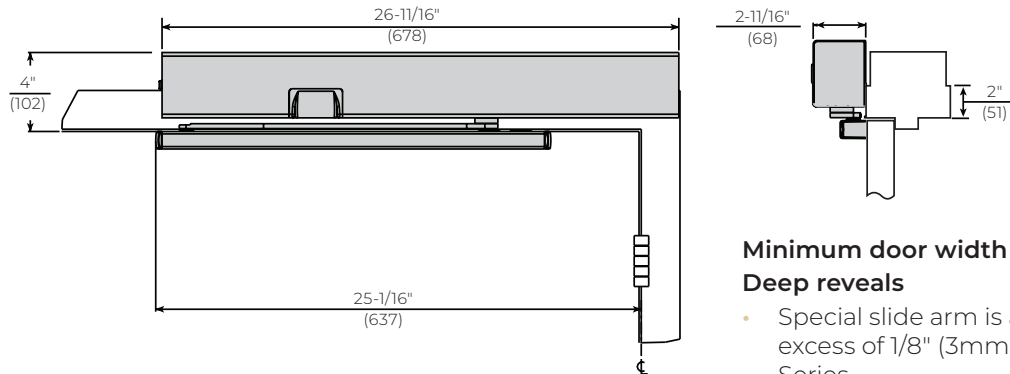
### PULL SIDE

- Surface mounted to the pull (hinge) side frame face
- Slide track mounts directly to door
- Minimum 4" ceiling clearance required
- 1/8" (3mm) – maximum frame reveal
- Handed
- Standard units accommodate doors opening 180°; maximum 175° hold open (110° maximum for 7150SZ series).
- Buffer block assembly in the track will accommodate doors opening to 125°
- Auxiliary door stop is required for doors opening beyond 125°
- Fail Safe – solenoid will de-energize in the event of power failure
- Accommodates either concealed or surface wiring
- Selective hold open
  - Standard on all units (can be disengaged)
  - Activates the viewing sensor only when the door opens beyond a specific angle
  - Once the door is manually opened past the set point, SafeZone holds the door until movement is no longer detected
  - If the door is not opened to the predetermined opening angle, SafeZone operates like a regular door closer and simply closes the door
- NorGlide® closer fluid



7100SZ Shown

### TECHNICAL DETAILS



**Minimum door width = 28" (71cm)**  
**Deep reveals**

- Special slide arm is available for reveals in excess of 1/8" (3mm) up to 3" (76mm) 7150SZ Series
- 110° maximum door swing

### DOOR SIZE

Maximum Door Size (cm)	Model Number	Model Number – Deep Reveal
40" (102)	7113SZ	7153SZ
44" (112)	7114SZ	7154SZ
48" (122)	7115SZ	7155SZ

### ELECTRICAL DATA

Series Number	Operating Voltage (Input)	No. Power Input Lines* (Pairs)	Amperage Draw
			Solenoid Coil
7110SZ 7150SZ	24VDC	1	.070 @ 24VDC
	120VAC		.035 @ 120VAC

\* Max/min operating voltage parameters +10% / -15%.

**PUSH SIDE**

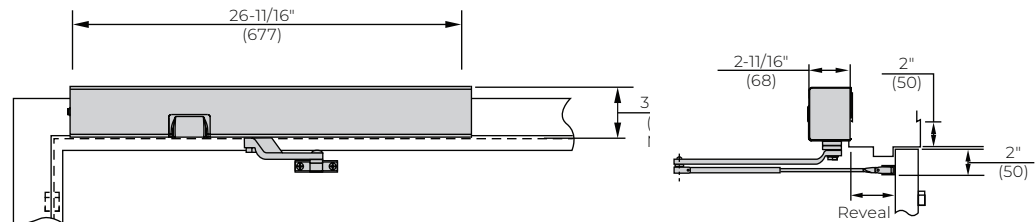
- Surface mounted to the push (stop) frame face
- Double lever arm mounts directly to the door
- Minimum 4" (102mm) ceiling clearance required
- Handed
- Standard units accommodate doors opening 180°; maximum 175° hold open
- Fail safe – solenoid will de-energize in the event of power failure
- Accommodates either concealed or surface wiring
- Selective hold open
  - Standard on all units (can be disengaged)
  - Activates the viewing sensor only when the door opens beyond a specific angle
  - Once the door is manually opened past the set point, SafeZone holds the door until movement is no longer detected
  - If the door is not opened to the predetermined opening angle, SafeZone operates like a regular door closer and simply closes the door
- NorGlide® closer fluid



7120SZ Shown

**TECHNICAL DETAILS**

Note: for applications with narrow top rails or limited ceiling clearance, a special drop angle bracket is required. See page 7.



**DOOR SIZE**

Maximum Door Size (cm)	Model Number	Maximum Degree of Opening	Reveal Range (Inches/mm)
ADA	7122SZ	180°	2-3/4" - 4" (70-102)
		165°	4"-7" (102-178)
40" (102)	7132SZ	180°	4"-7" (102-178)
		180°	2-3/4" - 4" (70-102)
		165°	4"-7" (102-178)
44" (112)	7133SZ	180°	4"-7" (102-178)
		180°	2-3/4" - 4" (70-102)
		165°	4"-7" (102-178)
48" (122)	7134SZ	180°	4"-7" (102-178)
		180°	2-3/4" - 4" (70-102)
		165°	4"-7" (102-178)
48" (122)	7125SZ	180°	4"-7" (102-178)
		180°	2-3/4" - 4" (70-102)
		165°	4"-7" (102-178)
48" (122)	7135SZ	180°	4"-7" (102-178)
		180°	2-3/4" - 4" (70-102)

**ELECTRICAL DATA**

Series Number	Operating Voltage (Input)	No. Power Input Lines* (Pairs)	Amperage Draw
			Solenoid Coil
7110SZ 7150SZ	24VDC	1	.070 @ 24VDC
	120VAC		.035 @ 120VAC

\* Max/min operating voltage parameters +10% / -15%.

# 7100SZ SAFEZONE®

## ELECTRIFIED CLOSERS AND HOLDERS

### CLOSER BODIES

Description	Mounting	Hand	Part Number
Closer bodies	Push or pull	Left	720XLAP24L
		Right	720XLAP24R

### ARM & TRACK ASSEMBLIES

Description	For Series	Part Number
Slide track	7110SZ, 7150SZ	7100-IT
Slide arm	7110SZ	7110-1A
Double lever arm	7120SZ	7701-1A
Double lever arm	7130SZ	7701-1B
Double egress arm - left hand	7150SZ	7150-1L
Double egress arm - right hand		7150-1R

### TRACK & ARM PARTS

Description	Part Number
Slider assembly	2800SLD
Cushion block	7100CB

### COVERS

Description	Part Number
Left hand (for LH pull OR RH push units)	7100CL
Right hand (for RH pull OR LH push units)	7100CR

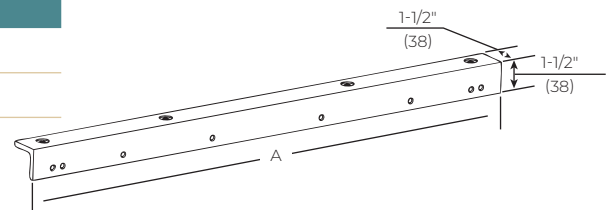
### MISCELLANEOUS PARTS

Description	Part Number
Power supply (120V only)	7100PS
Remote	7100REM
Selective hold open switch assembly 24V	SHOK
Sensor kit	7100SK



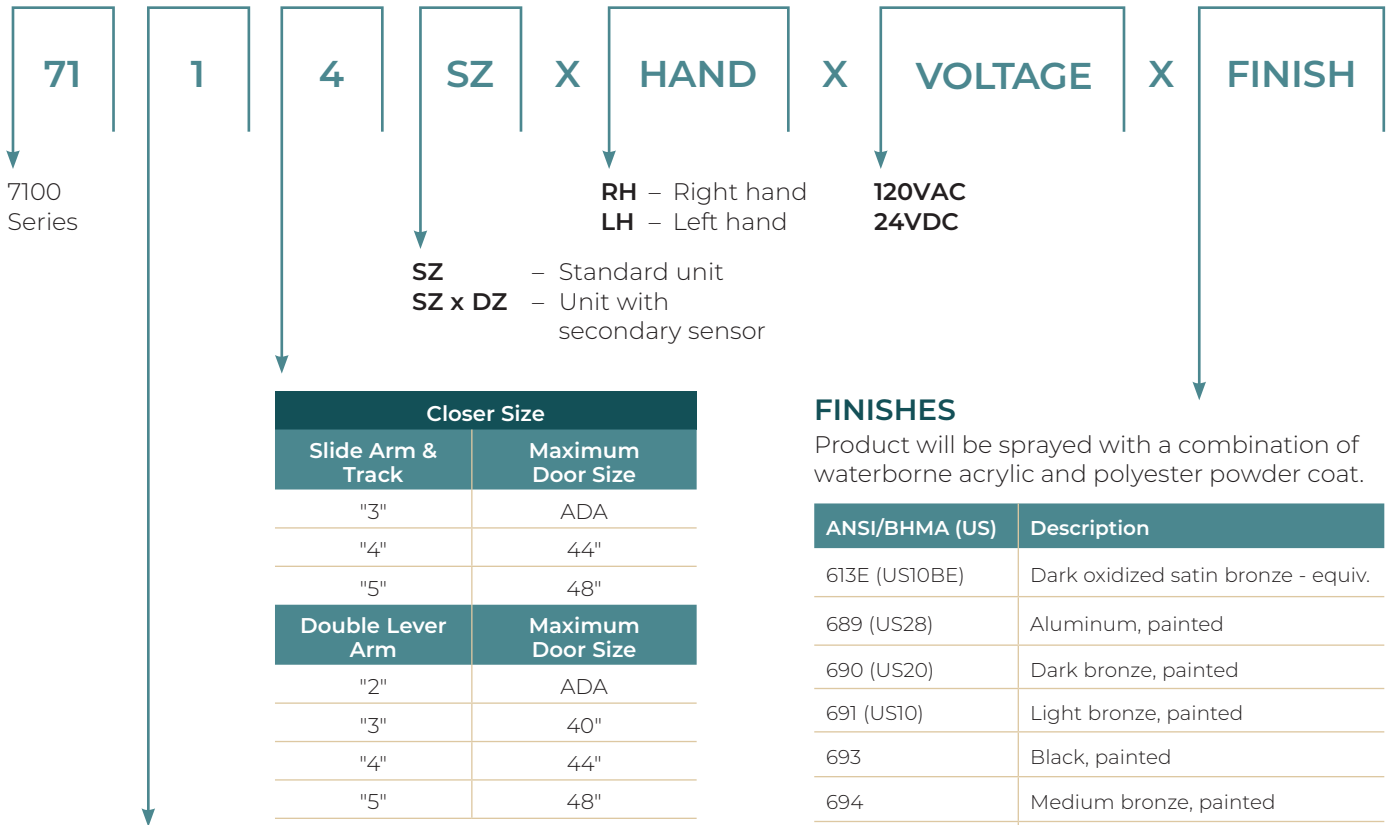
7100SK

Description	Part Number	A (Length)
Drop angle bracket	7100DAB	29-9/16" (675)
	7100DAB-180	24-9/16" (621)



**HOW TO ORDER**

Note: All transmitters (door switches or key fob) must be ordered separately.



Closer Size	
Slide Arm & Track	Maximum Door Size
"3"	ADA
"4"	44"
"5"	48"
Double Lever Arm	Maximum Door Size
"2"	ADA
"3"	40"
"4"	44"
"5"	48"

**FINISHES**

Product will be sprayed with a combination of waterborne acrylic and polyester powder coat.

ANSI/BHMA (US)	Description
613E (US10BE)	Dark oxidized satin bronze - equiv.
689 (US28)	Aluminum, painted
690 (US20)	Dark bronze, painted
691 (US10)	Light bronze, painted
693	Black, painted
694	Medium bronze, painted
696 (US4)	Gold, painted
BSP	Black suede powder coat
WSP	White suede powder coat

**Specifies side of door unit is mounted on and the type of arm**

**Pull Side**

- "1" - Rigid slide arm & track; maximum reveal 1/8" (3mm)
- "5" - Double egress slide arm & track; reveals 1/8"-3" (3-76mm) to 110°

**Push Side**

- "2" - Double lever arm; reveals 2-3/4"-4" (70-120mm) to 180°, reveals 4"-7" (102-179mm) to 165°
- "3" - Double lever arm; reveals 4"-7" (102-179mm) to 180°



## 7200 SERIES

### ELECTRIFIED CLOSERS AND HOLDERS

#### INTRODUCTION

The 7200 Series Electromechanical Closer/Holder combines the functions of an electromechanical door holder with the 7700 series door closer.

The 7200MPSO (support units) consists of an on-board power supply (for 120VAC input option) or a terminal strip (for 24VDC input option) and a door closer assembly with internal electrohydraulic holder capability. This unit (120VAC or 24VDC) is intended to control a single door or a pair of doors where the building's alarm system monitors the power to the Support Unit (24VDC input).

Executive™ units (RFS suffix) consists of an on-board power supply (for 120VAC input option) or a terminal strip (for 24VDC input option), a 433MHz radio frequency receiver and a door closer assembly with internal electro-hydraulic holder capability. Unit is intended to provide remote wireless release of a door that has been manually placed into the electrified hold open position. Not intended for use in life safety applications.

#### FEATURES

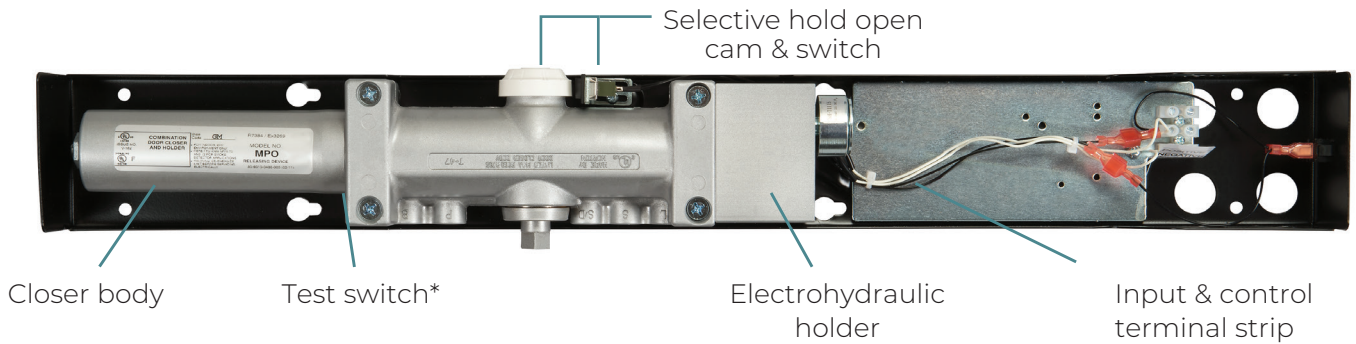
- Multi-point hold open
- Fixed spring sizes 3, 4, or 5
- Push or pull side mounting (frame mounted)
- Adjustable sweep and latch speed valves
- Handed
- Adjustable backcheck cushioning and position valve
- Selective hold open (SHO) allows door to hold open at any degree of opening beyond a pre-set hold open point, up to 175°
- Metal covers
- Fail safe: solenoid will de-energize in the event of power failure
- Concealed or surface wiring
- Minimum 4" ceiling required
- Auxiliary door stop is required for doors opening beyond 125° (pull side mounting)
- NorGlide® closer fluid
- 2-year limited warranty

#### BENEFITS

- Adjustable hold open position allows application flexibility
- Connected free swing arm option allows door to be held open at any degree
- Doors automatically close if activated by fire alarm



**OVERVIEW**



**CERTIFICATIONS**

- UL10C positive pressure up to 3 hours 
- UL-cUL listed
- Manufactured in an ISO 9001, ISO 14001 facility
- Environmental Product Declaration (EPD)

**SPECIFICATIONS**

Closer for \_\_\_\_\_ doors shall be electromechanical and completely enclosed in a metal cover. Units shall be surface mounted to the frame face [on the pull (hinge side) or the push (opposite hinge side)] of the door [and shall project no more than 2-11/16" (68mm) from the surface of the frame]. (Closer shall be installed in the header of the frame, and the slide track mortised into the door's top rail). Closer unit shall be hydraulic, full rack and pinion type with a cast aluminum alloy shell. Hydraulic fluid shall be non-gumming and non-freezing. Closer unit shall have two noncritical valves to independently regulate closing and latch speed. It shall also have an adjustable backcheck with a hex-key. Closer unit shall have spring power adjustment to permit a 50% increase in closing power over the minimum closing force for any size. Electromechanical Closer shall have (Infinite) (Selective) Hold Open (Free Swing Operation) and shall be able to attain a maximum opening of 180° (with hold open to 175°). Unit to be fail safe and must close the door during any electrical power interruption to the unit. (Closer/Holder to be Executive Door Holder/Release with release actuated by battery operated hand-held controller). Unit(s) to operate on (120VAC, 60Hz) (24VDC) and will accept (surface) (concealed) wiring. Amperage draw shall not exceed (.105 Amps for 24VDC) (0.46 Amps for 115VAC) units. Supplier to coordinate electrical requirements with electrical and alarm system engineers. Wiring (and conduit) by others.

Electromechanical Units to be Norton Rixson Series 7200 (Closer/Holder), (Free Swing Releasing Device), (Executive Door Holder/Release).

## 7200 SERIES

### ELECTRIFIED CLOSERS AND HOLDERS

#### EXPLANATION OF FEATURES

##### Aluminum Alloy Housing

Closer bodies are constructed of a special aluminum alloy, carefully selected to accommodate interactive steel components and operating conditions.

##### Rack & Pinion Operation

Provides a smooth constant control of the door through its full opening and closing cycle.

##### Spring Sizes

Specify closer size 3, 4 or 5. Size 6 available with 7290 overhead concealed units.

##### Sweep Speed Control Valve

Allows adjustment of door speed from the door's full open position down to approximately 10° from the closed position.

##### Latch Speed Control Valve

Allows adjustment of door speed from approximately 10° down to the door's fully closed position.

##### Adjustable Backcheck Cushioning

Provides control of the door in the opening cycle, beginning at approximately 75° of door opening. It slows/cushions the door opening, when the door is forcibly opened beyond its pre-adjusted limits.

##### Closer Fluid

NorGlide® closer fluid is a specially formulated multi-viscosity hydraulic fluid that contains lubricity and anti-oxidation agents that provide optimum performance and efficiency. This fluid complements the interaction of the door closer's aluminum housing with its steel and brass components, while maintaining stable viscosity to allow the door closer to perform in temperatures ranging from extremely high to as low as -40° F.

##### Adjustable Backcheck Position Valve

Allows the door opening position, where backcheck cushioning begins, to be adjusted to a greater door angle, up to a maximum of 20° farther (approximately 95°).

##### Handed

Specify right or left hand when ordering.

##### Selective Hold Open (standard)

The door will hold open at any degree of opening beyond a pre-set hold open point, up to 175°, with a maximum allowable door opening of 180° (exception series 7250 at 110°).

##### Infinite Hold Open

The door will hold open at any degree of opening up to 175°, with a maximum allowable door opening of 180° (exception series 7250 at 110°). Can be set in the field by turning cam.

##### Fail Safe

In the event of a power failure, the solenoid will de-energize and the closer/holder will then operate as a normal door closer.

##### Wiring Option

All 7200 series electromechanical closer/holders will accommodate either concealed or surface wiring.

##### Selective Hold Open Switch and Cam:

The selective hold open starting point is determined by a switch and adjustment cam assembly. The cam is attached to the upper pinion shaft by means of a machine screw. As the door is opened, the pinion shaft will rotate the cam and operate the switch to the "on" position to initiate hold open. When the door is closed, the pinion cam will operate the switch to the "off" position. The cam is factory set to operate at 80° of door opening. The cam can be easily field adjusted to operate at virtually any degree of door opening.

##### Warranty

2-year limited warranty

**SUPPORT UNITS**

**7210/7250**

- Surface mounted to the pull (hinge) side frame face
- Slide track mounts directly to door
- Minimum 4" ceiling clearance required
- 1/8" (3mm) – standard frame. For deeper reveals, a special slide arm is required (see chart below)
- Handed
- Standard units accommodate doors opening 180°; maximum 175° hold open
- Buffer block assembly in the track will accommodate doors opening to 125°
- Auxiliary door stop is required for doors opening beyond 125°
- Units shipped selective hold open; infinite hold open can be set in the field
- Fail safe – solenoid will de-energize in the event of power failure
- Accommodates either concealed or surface wiring

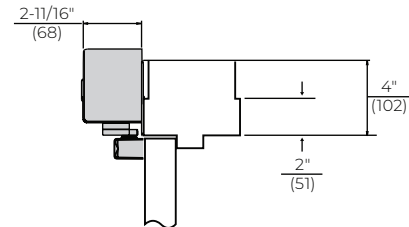
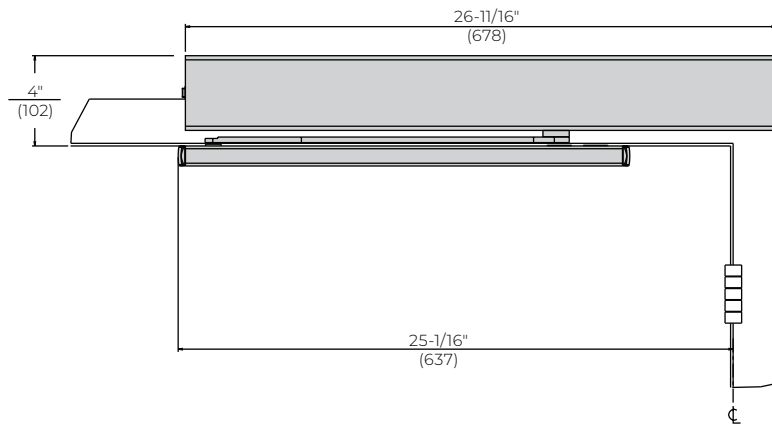


7210MPSO Shown

**Single Door:**

- **Executive™ Door Holder/Release:** both series 7210RFS or 7250RFS are self-contained and can be installed to control a single door

**TECHNICAL DETAILS**



**Note: Deep reveals**

- Special slide arm is available for reveals in excess of 1/8" (3mm) up to 3" (76mm) 7250MPSO series
- 110° maximum door swing

**DOOR SIZE**

Maximum Door Size (cm)	Model Number		
	Standard Reveal (to 1/8" (3mm) reveal)		Deep Reveal (see note)
40" (102)	7213MPSO	7213RFS	7253MPSO
44" (112)	7214MPSO	7214RFS	7254MPSO
48" (122)	7215MPSO	7215RFS	7255MPSO

\*Max/min operating voltage parameters +10% / -15%

# 7200 SERIES

## ELECTRIFIED CLOSERS AND HOLDERS

### SUPPORT UNITS

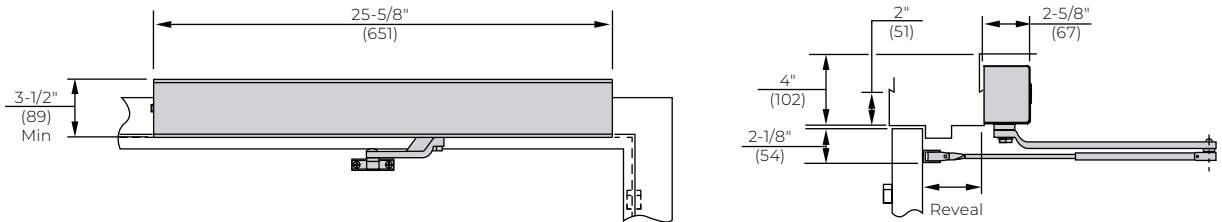
#### 7220/7230

- Surface mounted to the push (stop) frame face
- Double lever arm mounts directly to the door
- Minimum 4" (102mm) ceiling clearance required
- Handed
- Standard units accommodate doors opening 180°; maximum 175° hold open
- Units shipped selective hold open; infinite hold open can be set in the field
- Fail safe – solenoid will de-energize in the event of power failure
- Accommodates either concealed or surface wiring



7220MPSO shown

### TECHNICAL DETAILS

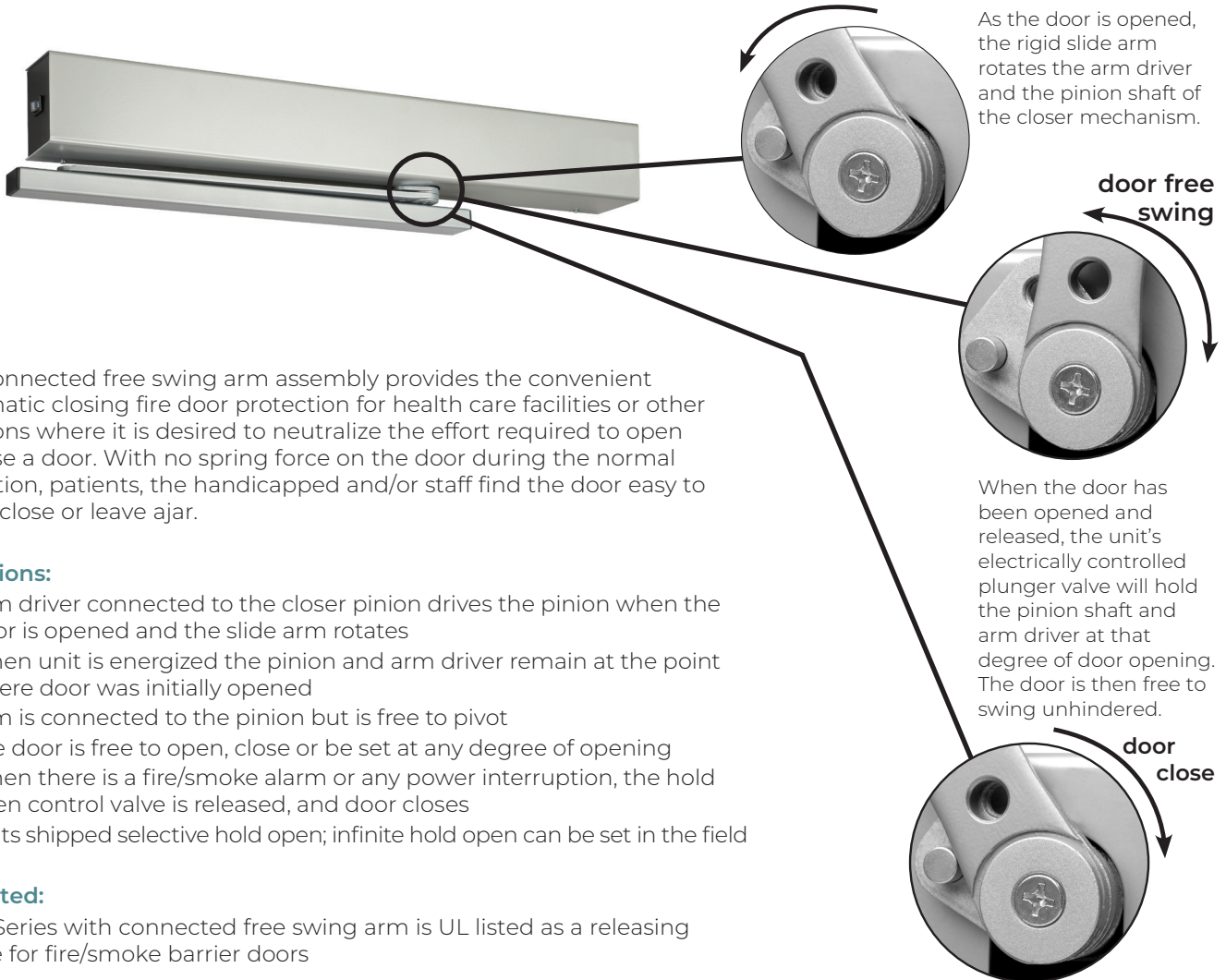


Note: for applications with narrow top rails or limited ceiling clearance, a special drop angle bracket is required. See page 16.

### DOOR SIZE

Maximum Door Size	Model Number		Maximum Degree of Opening	Reveal Range (Inches/mm)
42" (107)	7223MPSO	7223RFS	180°	2-3/4" - 4" (70 - 102)
			165°	4" - 7" (102 - 178)
	7233MPSO	7233RFS	180°	4" - 7" (102 - 178)
48" (122)	7224MPSO	7224RFS	180°	2-3/4" - 4" (70 - 102)
			165°	4" - 7" (102-178)
	7234MPSO	7234RFS	180°	4" - 7" (102-178)

**7240 CONNECTED FREE SWING ARM**



The connected free swing arm assembly provides the convenient automatic closing fire door protection for health care facilities or other locations where it is desired to neutralize the effort required to open or close a door. With no spring force on the door during the normal operation, patients, the handicapped and/or staff find the door easy to open, close or leave ajar.

**Functions:**

- Arm driver connected to the closer pinion drives the pinion when the door is opened and the slide arm rotates
- When unit is energized the pinion and arm driver remain at the point where door was initially opened
- Arm is connected to the pinion but is free to pivot
- The door is free to open, close or be set at any degree of opening
- When there is a fire/smoke alarm or any power interruption, the hold open control valve is released, and door closes
- Units shipped selective hold open; infinite hold open can be set in the field

**UL Listed:**

7200 Series with connected free swing arm is UL listed as a releasing device for fire/smoke barrier doors

Maximum Door Size (cm)	Model Numbers	
	Support	Executive™ Door Release
	Selective Hold Open	
40" (102)	7243MPSO	7243RFS
44" (112)	7244MPSO	7244RFS
48" (122)	7245MPSO	7245RFS

**Specify voltage and hand of door when ordering**

# 7200 SERIES

## ELECTRIFIED CLOSERS AND HOLDERS

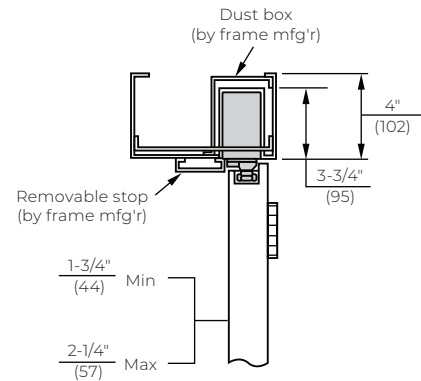
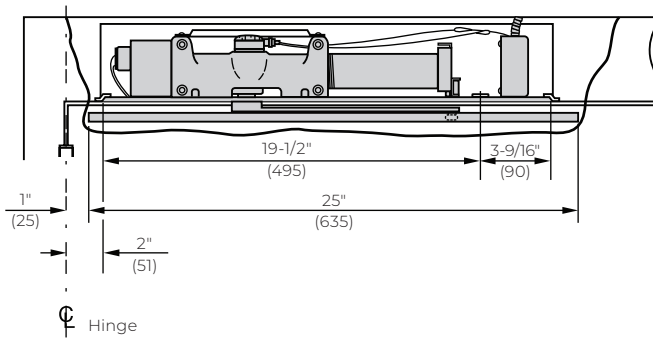
### 7290 OVERHEAD CONCEALED SUPPORT UNIT

#### Controlled Remotely by Area/Ceiling Detectors

- Handed
- Unit concealed in the header of the frame
- Installation requires a 4" (102mm) high frame header
- A 2" x 4" (51 x 102mm) dust/grout box and a removable frame stop (provided by the door and frame supplier) are required
- Slide track is mortised in the door's top rail
- Standard units accommodate doors opening 180°; maximum 175° hold open
- Buffer block assembly in the track will accommodate doors opening to 125°
- Auxiliary door stop is required for doors opening beyond 125°
- Units shipped selective hold open; infinite hold open can be set in the field
- Intended for use with compatible ul listed ceiling alarm detection equipment
- Fail safe – solenoid will de-energize in the event of power failure



### TECHNICAL DETAILS



### DOOR SIZE

Maximum Door Size (cm)	Selective Hold Open
32" (81)	7294MPS
38" (97)	7295MPS
48" (122)	7296MPS

**CLOSER BODIES**

Description	Mounting	Voltage	Hand	Part Number
Closer/holder assembly	Push or pull	24VDC	Left	720XLAPS24L
			Right	720XLAPS24R

**ARM & TRACK ASSEMBLIES**

Description	For Series	Part Number
Slide track	7210, 7240, 7250	7100-IT
Slide arm	7210	7110-1A
Connected free swing arm	7240	7140-1A
Double egress arm – right hand	7250	7150-1R
Double egress arm – left hand		7150-1L
Double lever arm	7220	7701-1A
Double lever arm	7230	7701-1B
Arm assembly NHO – right hand	7290	7950-1R
Arm assembly NHO – left hand		7950-1L
Track assembly NHO		7950ST

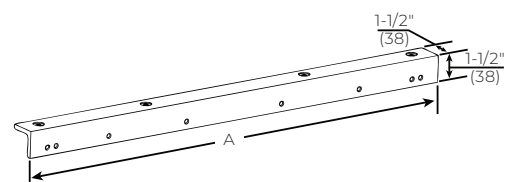
**TRACK & ARM PARTS**

Description	Part Number
Cushion block (part of slide track assembly)	7100CB
Screw pack for CFS arm	7240SP
Slider assembly	2800SLD

**MISCELLANEOUS PARTS**

Description	Part Number
Cover (support unit)	MPSOCOV
Selective hold open switch assembly 24V	SHOK
Switch 24V	SHO

Description	Part Number	A (Length)
Drop angle bracket	7100DAB	29-9/16" (675)
	7100DAB-180	24-9/16" (621)

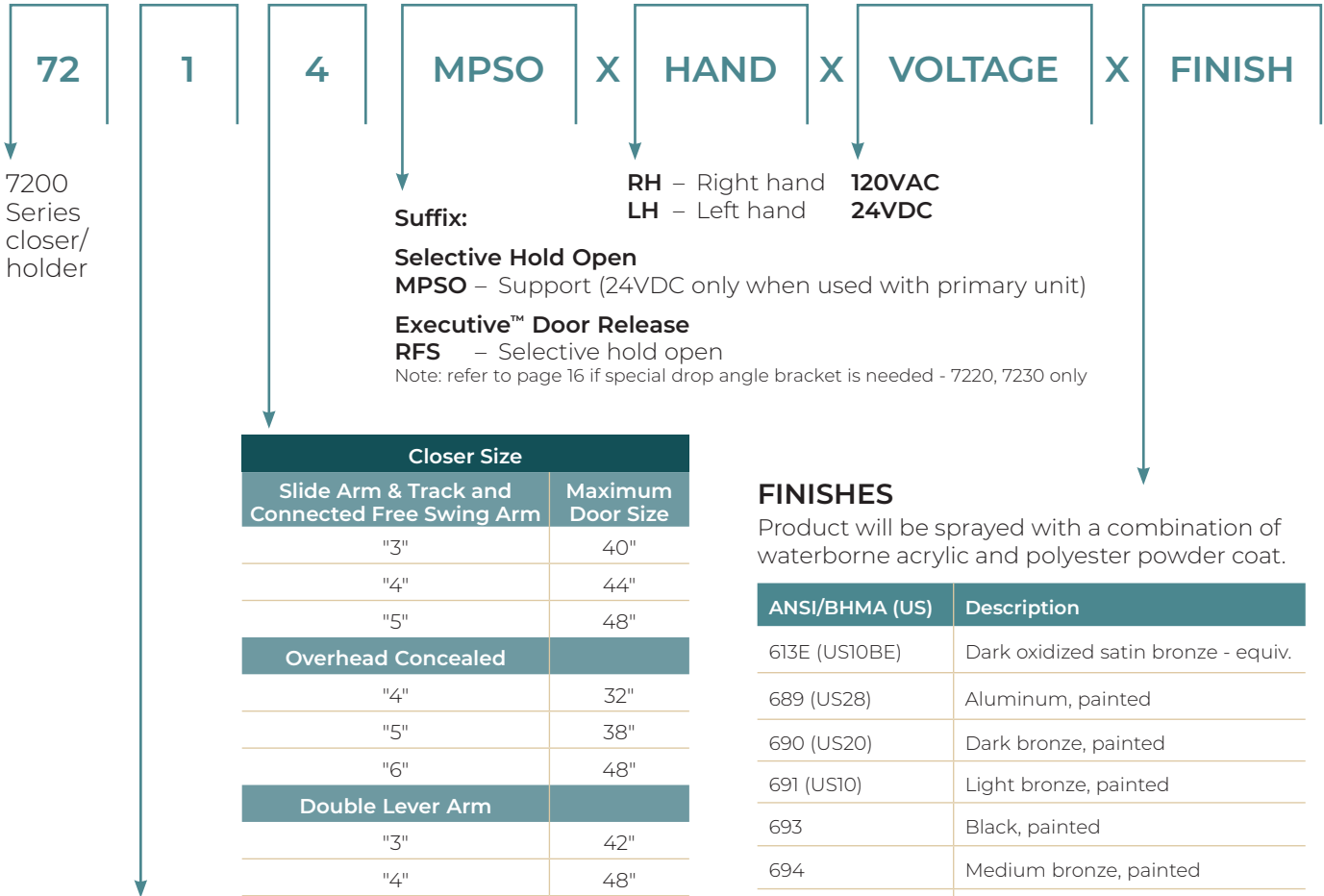




# 7200 SERIES

## ELECTRIFIED CLOSERS AND HOLDERS

### HOW TO ORDER



Specifies side of door unit is mounted on and the type of arm

#### Pull side

- "1"** – Rigid slide arm & track; maximum reveal 1/8" (3mm)
- "4"** – Connected free swing slide arm & track; maximum reveal 1/8" (3mm)
- "5"** – Double egress slide arm & track; reveals 1/8"-3" (3-76mm) to 110°
- "9"** – Overhead concealed door closer with rigid slide arm & track

#### Push side

- "2"** – Double lever arm; reveals 2-3/4"-4" (70-120mm) to 180°; reveals 4"-7" (102-179mm) to 165°
- "3"** – Double lever arm; reveals 4"-7" (102-179mm) to 180°

# 7700 POWER TRACK®

## ELECTRIFIED CLOSERS AND HOLDERS

### INTRODUCTION

The Norton Rixson Power Track® Closer-Holders combine the functions of a single point electromechanical door holder with the proven reliability of a 7700 Series door closer. The track assembly contains an arm slide and solenoid operated hold open mechanism.

Units can be installed on a single door or a pair of doors when controlled by compatible UL listed detection equipment such as area ceiling detectors, pull stations, and remote alarm panels.



### FEATURES

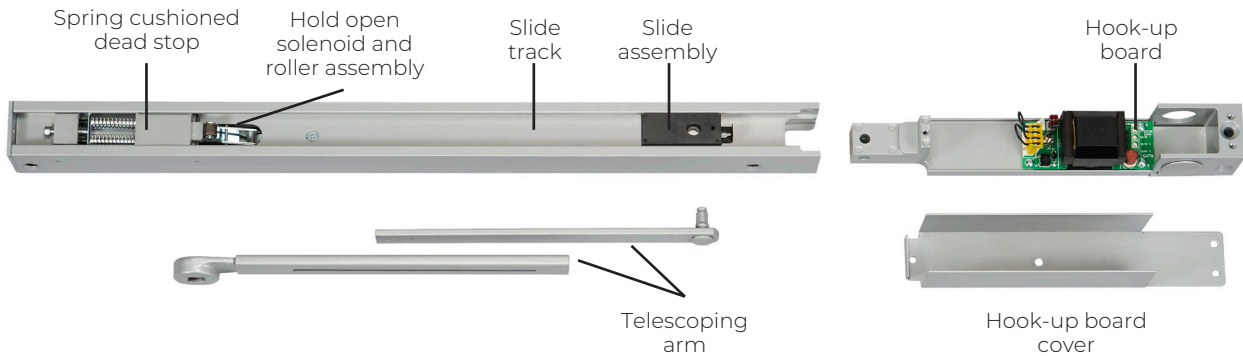
- Selective single-point hold open
- Fixed spring size 5
- Push or pull side mounting (closer mounted on door)
- Standard separate and independent latch, sweep, and backcheck intensity valves
- Spring loaded buffer block at the point of hold open prevents over travel of the arm slide and provides a cushioned dead stop
- Additional floor or wall stop is recommended
- Voltage: 24VDC or 120VAC
- NorGlide® closer fluid

- Non-handed
- Fail safe: solenoid will de-energize in the event of power failure
- Concealed or surface wiring
- 2-year limited warranty

### BENEFITS

- Ideal for low ceiling clearance applications
- Installation based on the door angle needed
- Doors automatically close if activated by fire alarm

### OVERVIEW



### CERTIFICATIONS

- ANSI/BHMA A156.15 
- CAL FIRE, 3550-0944:0106
- Environmental Product Declaration (EPD)
- UL10C positive pressure up to 3 hours 
- UL-cUL listed
- Manufactured in an ISO 9001, ISO 14001 facility

# 7700 POWER TRACK®

## ELECTRIFIED CLOSERS AND HOLDERS

### EXPLANATION OF FEATURES

#### Selective Single-Point Hold Open:

The Power Track® has one template position. The single-point hold open position is selected by adjusting the telescoping arm with a hex drive set screw. Hold open range is 85° thru 110° in approximately 3° increments.

#### Non-Handed:

Units are non-handed except when ordered with "DE" double egress arms. Choice of push or pull side installation: no prefix indicates pull side application. Prefix "P" for push side installation.

#### Choice of Supply Voltage:

Available in 24VAC/DC or 120VAC, 60Hz. voltages. Power to these devices must be within a range of (+) 10% (-) 15% of the stated voltage.

#### Fail Safe:

In the event of a power outage, the Power Track solenoid will be de-energized and the closer/holder will then operate as a normal door closer.

#### Wiring Option:

Both pull and push side applications will accommodate either concealed or surface wiring. The hook-up box will accept 3/4" (19mm) conduit. Each Power Track is supplied with a thin-walled conduit nut to attach the conduit clamp. The hook-up box base is prepared for surface wiring. State and local building codes will dictate the type of wiring.

#### Spring Cushioned Dead Stop:

A spring-loaded buffer block at the point of hold open prevents over travel of the arm slide and provides a cushioned dead stop. Use of an additional wall or floor stop is always recommended.

### ORDERING VOLTAGES

Model	# of Power Input Lines	Choices of Voltage Input	Can be used with
PTO-24	1	24 VAC/DC	Area smoke detection system
PTO-120		120 VAC, 60Hz	

Operating voltage for the control of fire/smoke doors are specified by the architect, electrical engineer and alarm system engineer and/or contractor. Consulting with these sources will verify which operating voltage should be ordered.

#### "PTO" Support Units

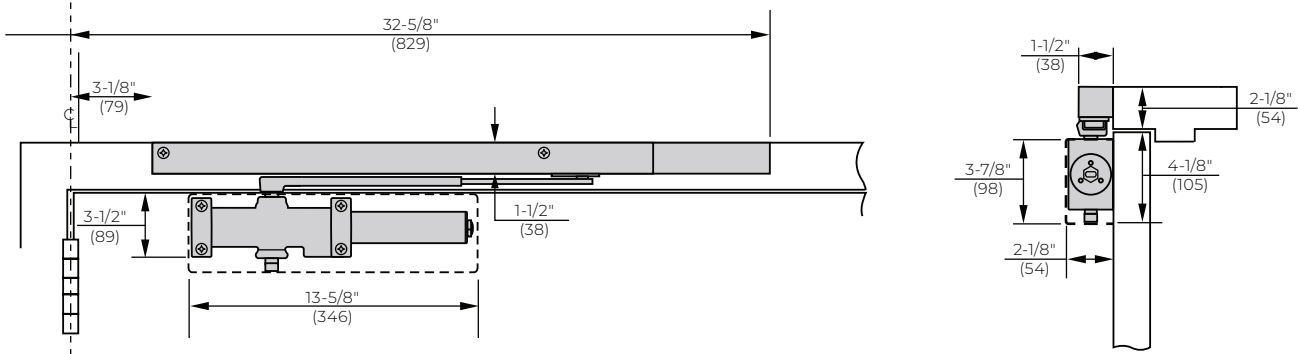
- Hold open solenoid requires electrical power.
- Solenoid controlled by smoke detection equipment (ceiling detectors) or remote alarm panels.
- Available for operation on 24VAC/DC or 120VAC, 60Hz.
- Hold open solenoid operates on direct current.
- Contains built-in rectifier that converts alternating current to direct current.

**7705 POWER TRACK®**

**Pull (Hinge) Side Mounting**



**Technical Details**



**Door Size**

	Door(s) Opening Inches (cm)		Model Number & Type
	Max.*	Min.**	
Single Door	48" (122)	32" (81)	(1) 7705PTO Support Unit
Pairs of Doors	96" (244)	64" (163)	(2) 7705PTO Support Units (controlled by remote detection equipment)

Minimum Top Rail	
Without Drop Plate	With 7786 Drop Plate
3-1/2" (89mm)	1-7/8" (48mm)

2-1/8" (54mm) minimum ceiling clearance required for Power Track.

\* Maximum door size for door closer power.

\*\* Minimum door opening for standard installation. Consult factory for door openings narrower than those shown.

**Double egress doors:** With reveals greater than 1/8" (3mm); a special handed arm for the pull (hinge) side Power Track is available. Accommodates reveals to 3" (76mm). Suffix "DE" to model number; specify hand.

# 7700 POWER TRACK®

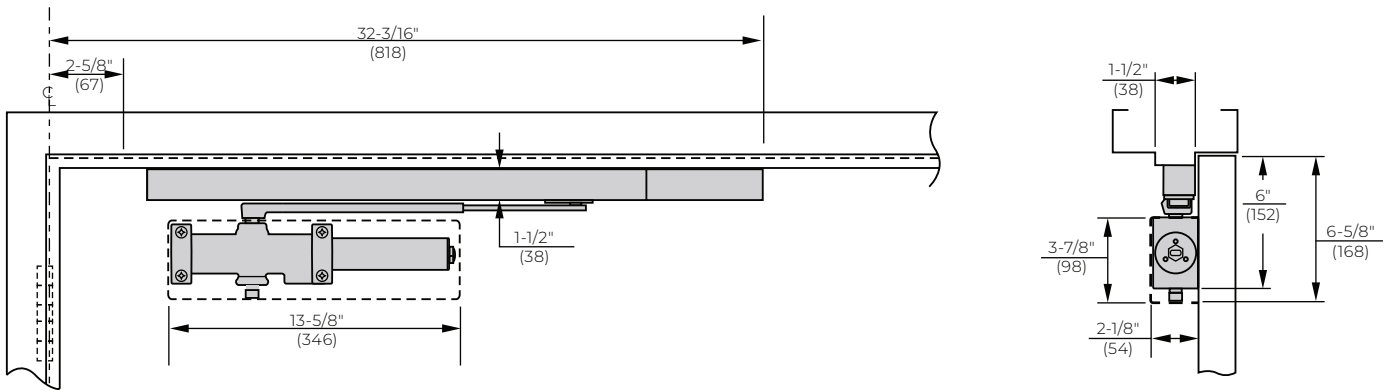
ELECTRIFIED CLOSERS AND HOLDERS

## P7705 POWER TRACK®

### Push (Stop) Side Mounting



#### Technical Details



#### Door Size

	Door(s) Opening Inches (cm)		Model Number & Type
	Max.*	Min.**	
Single Door	48" (122)	33" (84)	(1) P7705PTO Support Unit
Pairs of Doors	96" (244)	64" (163)	(2) P7705PTO Support Units

Minimum Top Rail	
Without Drop Plate	With 7788 Drop Plate
6" (152mm)	2-3/4" (70mm)

1-1/2" (38mm) minimum frame soffit required for Power Track.

\* Maximum door size for door closer power.  
 \*\* Minimum door opening for standard installation.  
 Consult factory for door openings narrower than those shown.

NOTE: Interference with other hardware such as vertical rod exit devices, magnetic locks, and door coordinators, etc., must be considered when selecting this product.

### ELECTRICAL INFORMATION

Model Number	No. Power Input Lines* (Pairs)	Operating Voltage	Amperage Draw
			Solenoid Coil
7705PTO P7705PTO	1	24VAC/DC	.090 @ 24VDC
		120VAC, 60Hz	.018 @ 120VAC

\*Number of input lines (pairs) required to supply operating voltage. This does not include signal or control lines (pairs) to alarm panels.

### SUGGESTED SPECIFICATIONS

Closers for \_\_\_\_\_ doors shall be electromechanical closer-holder. Hold open to be achieved by electric solenoid locking of closer arm slide in its track. Track, arm, slide (and) solenoid (and integral smoke detector) to be contained in a single aluminum extrusion 1-1/2" (38mm) high, 1-1/2" (38mm) deep.

Closer shall be door mounted. Track and hold open mechanism shall be surface mounted to the frame face for application on the pull side of the door and frame soffit mounted for application on the push side of the door. Single point hold open shall be selective through a range of 85° to 110°. Hold open point to be achieved by adjustment of a telescoping closer arm.

Closer shall be hydraulic with full rack and pinion enclosed in a cast aluminum alloy shell. Hydraulic fluid shall be non-gumming and non-freezing. Closer shall have two non-critical valves to independently regulate sweep speed and latch speed. It shall have an adjustable backcheck cushioning valve and an adjustable backcheck positioning valve. All valves shall be

adjustable with a hex-key. (Closer shall have spring power adjustment to permit 50% increase in closing power.) Closer to be enclosed in a molded full cover.

(Support units to be controlled by U.L. Listed Smoke Detection Equipment.) Units to be fail safe and close the door during an interruption to the electrical power. The hold open solenoid coil shall have a maximum amperage draw of (.090 Amps at 24 volts) (.018 Amps at 120 volts). Unit shall have a switch to permit testing of the releasing device function without alarming the system.

All wiring connections shall be made without the need of wire nuts or soldering. Support unit(s) shall require a (24VAC/DC) (120, 60Hz) power input. Supplier to coordinate electrical requirements with electrical and alarm system engineers. Wiring (and conduit) by others. Electromechanical Closer-Holder to be Norton Rixson Power Track® [(P)7700(PTO)].

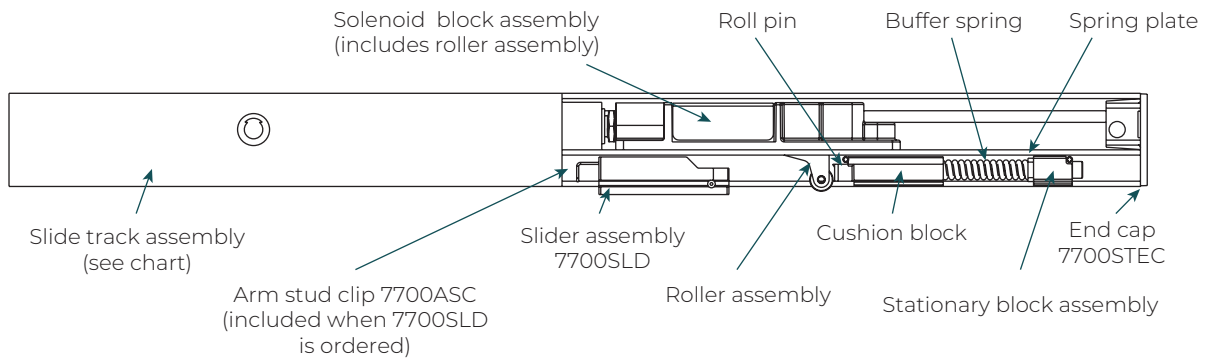
# 7700 POWER TRACK®

## ELECTRIFIED CLOSERS AND HOLDERS

### TRACK ASSEMBLIES

Voltage	Part Number <sup>^</sup>	
	Hinge Side	Stop Side
24V	PTO24	PPTO24

Support unit track assemblies include track, slider assembly and solenoid block assembly. Hook-up box not included.



Description	Part Number
Hook-up box cover kit	PTOHBCOV

Description	Voltage	Part Number
Hook-up boards	24V	PTOPCB24
	120V	PTOPCB120

### PARTS

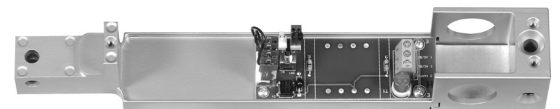
#### Hook-Up Box (shown less cover<sup>\*\*</sup>)

<sup>\*\*</sup> For identification purposes only – box is only supplied with cover

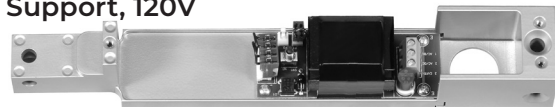
Description	Voltage	Hook-Up Boxes <sup>^</sup>	
		Hinge Side	Stop Side
Support	24V	PTOHB24	PPTOHB24
	120V	PTOHB120	PPTOHB120

Miscellaneous Parts	
Description	Part Number
Fuse	PTO125V
Solenoid block assembly (24V)	PT24SOL
Push side hook-up box plug button	P7700PB

Support, 24V

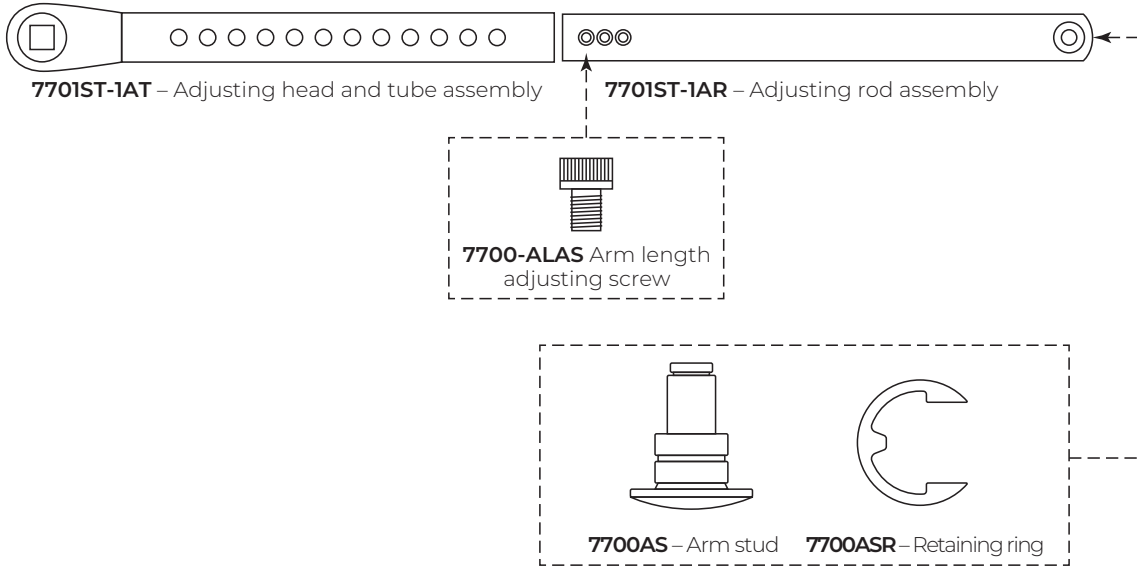


Support, 120V



**STANDARD ARM ASSEMBLY**

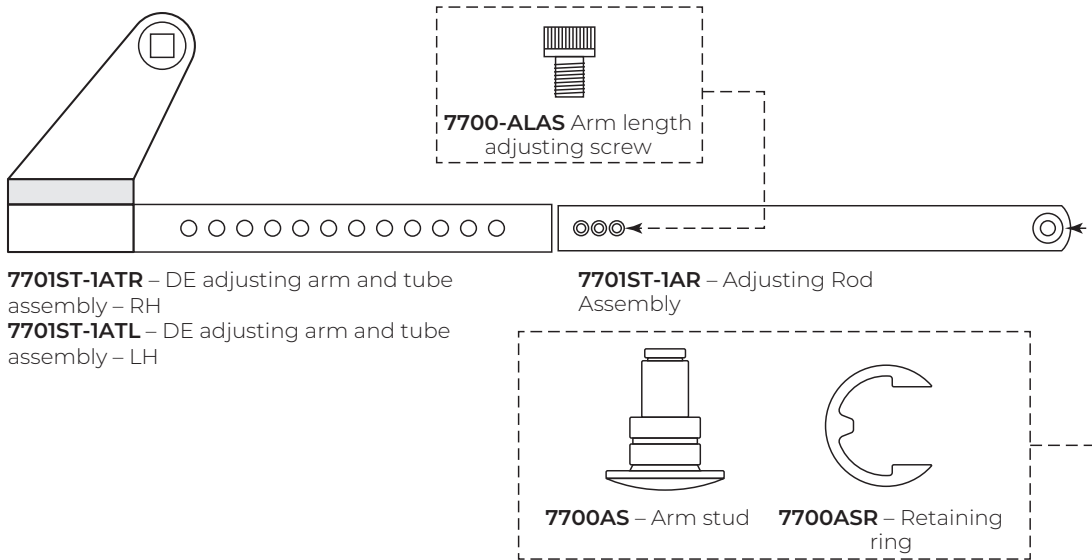
7701ST-1A<sup>1,2</sup>



**DOUBLE EGRESS ARM ASSEMBLY**

7701PT-DE-1R<sup>1,2</sup> – (right hand)

7701PT-DE-1L<sup>1,2</sup> – (left hand)



**Notes:**

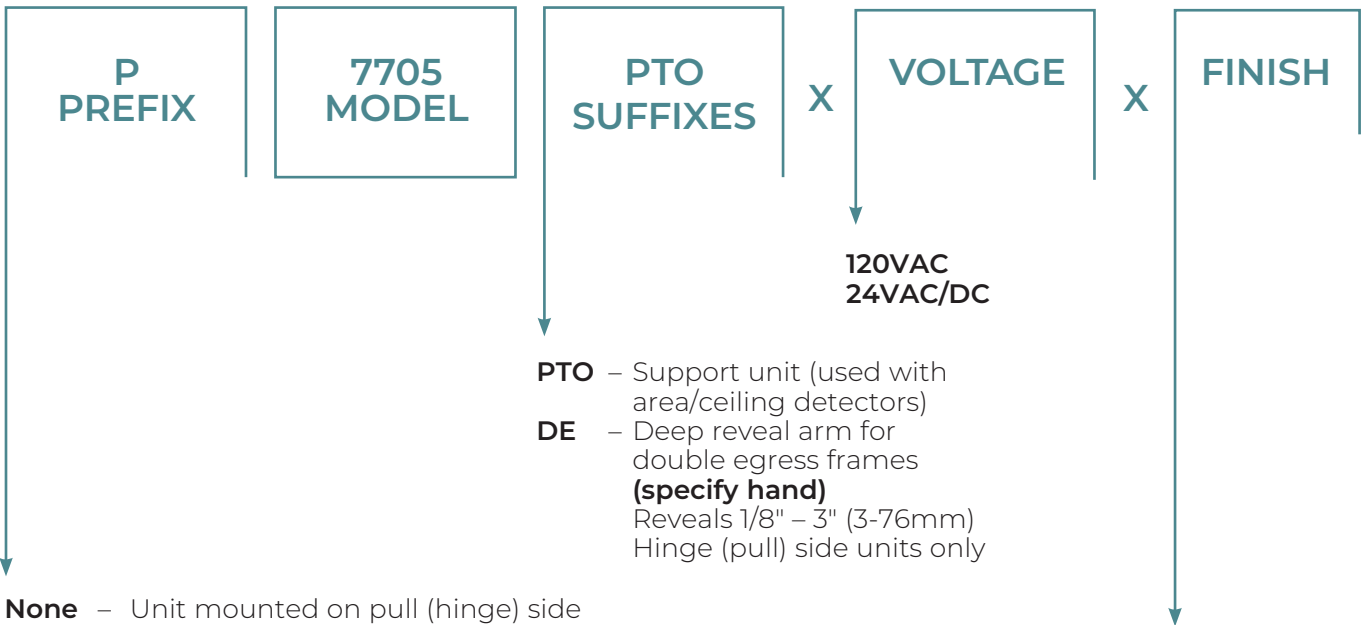
- 1 Includes arm length adjusting screw 7700-ALAS
  - 2 Includes arm tube & adjusting rod assembly
- Mounting hardware included with all parts orders



# 7700 POWER TRACK®

ELECTRIFIED CLOSERS AND HOLDERS

## HOW TO ORDER



- None** – Unit mounted on pull (hinge) side of door; maximum reveal 1/8" (3mm)  
For greater reveals up to 3" (76mm) suffix "DE" to model number
- P** – Unit mounted on push (stop) side of door

- PTO** – Support unit (used with area/ceiling detectors)
- DE** – Deep reveal arm for double egress frames  
**(specify hand)**  
Reveals 1/8" – 3" (3-76mm)  
Hinge (pull) side units only

**120VAC**  
**24VAC/DC**

### FINISHES

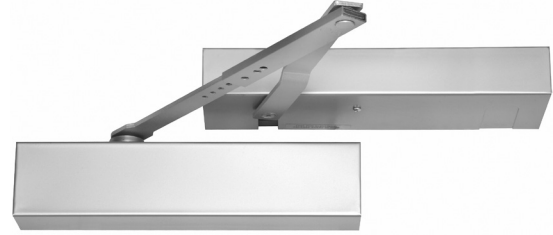
Product will be sprayed with a combination of waterborne acrylic and polyester powder coat.

ANSI/BHMA (US)	Description
613E (US10BE)	Dark oxidized satin bronze - equiv.
689 (US28)	Aluminum, painted
690 (US20)	Dark bronze, painted
691 (US10)	Light bronze, painted
693	Black, painted
694	Medium bronze, painted
696 (US4)	Gold , painted
BSP	Black suede powder coat
WSP	White suede powder coat

## INTRODUCTION

Designed for a variety of applications, fire/life-safety closers and holders protect people and property.

The single-point electromechanical Smok-Chek V can be mounted on the push or pull side of the door and is best suited for cross corridor doors. Checkmate 99, an electrified holder, is used with independent closers and can be mounted on the push or pull side of the door.



## GENERAL INFORMATION

### SMOK-CHEK® V

#### Electromechanical action

- Single point hold open
- More durable than electrohydraulic units
- To hold open at 90°, door must open to 93°
- Best suited for cross corridor doors

### CHECKMATE® 99

#### Electromechanical action – no closer supplied

- For doors with floor closers or surface mounted door closers
- Single point hold open
- To hold open at 90°, door must open to 93°
- Best suited for cross corridor doors

Note: these products are not designed to be manually pulled out of hold open. If continual cycling is necessary, a separate switch to release should be used.

## SPECIFICATIONS

**Closer/Holders shall be Smok-Chek® V series.** They should be electromechanical type. All holders shall open and hold up to 180°. Units shall have holder on the frame and closer on the door. Product with fall-off will not be acceptable.

Whenever floor closers are specified and an electromechanical hold open is needed, the product should be **Checkmate® 99**. This separate holder will allow the doors to swing to 110°, depending on the type of closer being used.

# SMOK-CHEK® V

## ELECTRIFIED CLOSERS AND HOLDERS

### 0600 PULL SIDE MOUNTING

#### Application

- Cross corridor doors - swinging in the same direction

#### Features

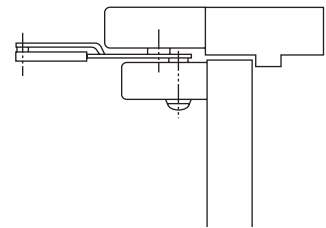
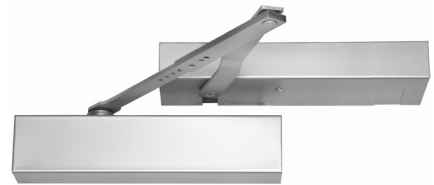
- Single-point hold open
- Pull side mounting
- Non-handed
- Hold open range 85°-145°
- Mounts on a 2" header
- Doors up to 4'0"
- Door weight: 250 lbs.
- Concealed switch disconnects hold open
- Adjustable spring surface closer
- Maximum reveal: 1/8"
- NorGlide® closer fluid
- 2-year limited warranty

#### Certifications

- UL-cUL fire-rated up to 3 hours
- CAL FIRE, 3550-0047:0015

#### Electrical Data

- 24VAC/DC 80ma
- 120VAC 17ma



### 0601 PUSH SIDE MOUNTING

#### Application

- Cross corridor doors – double egress – doors swinging in opposite directions

#### Features

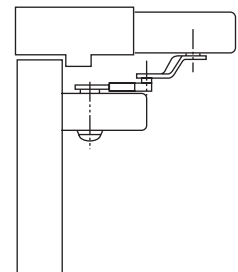
- Single-point hold open
- Push side mounting
- Non-handed
- Hold open range 85°-105°
- Mounts on a 2" header
- Doors up to 4'0"
- Door weight 250 lbs.
- Concealed switch disconnects hold open
- Adjustable spring surface closer
- Maximum reveal: 3-1/2"
- For double egress doors with reveals from 3-1/2" up to 5-1/2" or on applications where doors need to swing 150°, use 550789 arm.
- NorGlide® closer fluid
- 2-year limited warranty

#### Certifications

- UL-cUL fire-rated up to 3 hours
- CAL FIRE, 3550-0047:0015

#### Electrical Data

- 24VAC/DC 80ma
- 120VAC 17ma



Arm	Reveal	Hold Open Range
Standard	3-1/2"	85-105°
Deep Reveal	3-1/2"	85-150°
	5-1/2"	85-135°

## 0602 HOLDER

### Application

- Cross corridor doors – swinging in the same direction

### Features

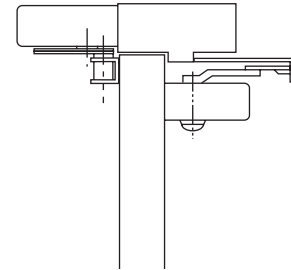
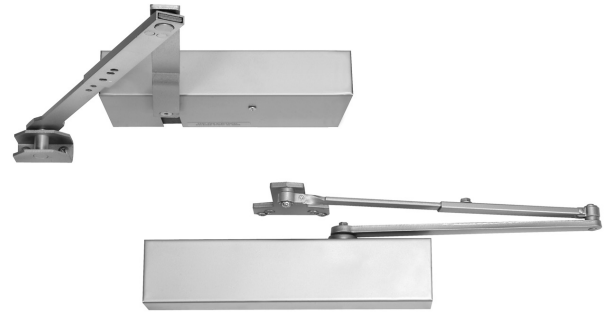
- Single-point hold open
- Pull side mount for holder; push side mount for closer
- Non-handed
- Hold open range 85°-180°
- Mounts on a 2" header
- Doors up to 4'0"
- Door weight 250 lbs.
- Concealed switch disconnects hold open
- Adjustable spring surface closer
- Maximum reveal (pull side): 1/8"
- NorGlide® closer fluid
- 2-year limited warranty

### Certifications

- UL-cUL fire-rated up to 3 hours
- CAL FIRE, 3550-0047:0015

### Electrical Data

- 24VAC/DC 80ma
- 120VAC 17ma



## 0100 HOLDER

### Application

- Cross corridor doors – can be used with floor closers

### Features

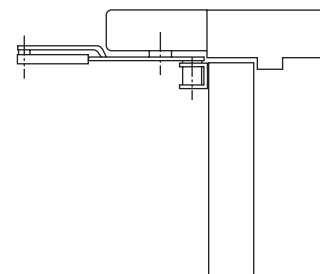
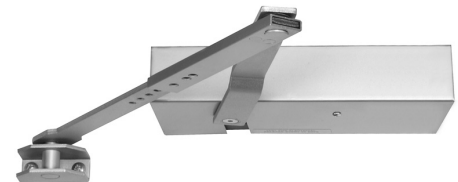
- Single-point hold open
- Pull side mount for holder
- No closer supplied
- Non-handed
- Hold open range 85°-180°
- Mounts on a 2" header
- Doors up to 4'0"
- Maximum door weight 250lbs.
- Maximum reveal: 1/8"
- 2-year limited warranty

### Certifications

- UL-cUL fire-rated up to 3 hours
- CAL FIRE, 3550-0047:0015

### Electrical Data

- 24VAC/DC 80ma
- 120VAC 17ma



# SMOK-CHEK® V

## ELECTRIFIED CLOSERS AND HOLDERS

### 0101 HOLDER

#### Application

- Cross corridor doors – double egress – doors swinging in opposite directions

#### Features

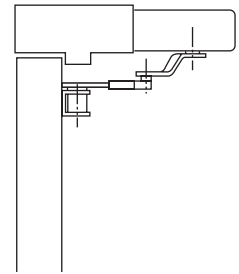
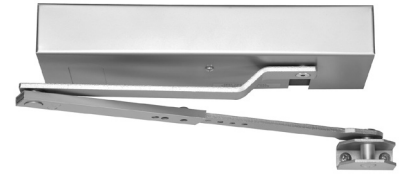
- Single-point hold open
- Push side mount for holder
- No closer supplied
- Non-handed
- Hold open range 85°-105°
- Mounts on a 2" header
- Doors up to 4'0"
- Door weight 250 lbs.
- Maximum reveal: 3-1/2".
- For double egress doors with reveals from 3-1/2" up to 5-1/2" or on applications where doors need to swing 150°, use 550789 arm.
- 2-year limited warranty

#### Certifications

- UL-cUL fire-rated up to 3 hours
- CAL FIRE, 3550-0047:0015

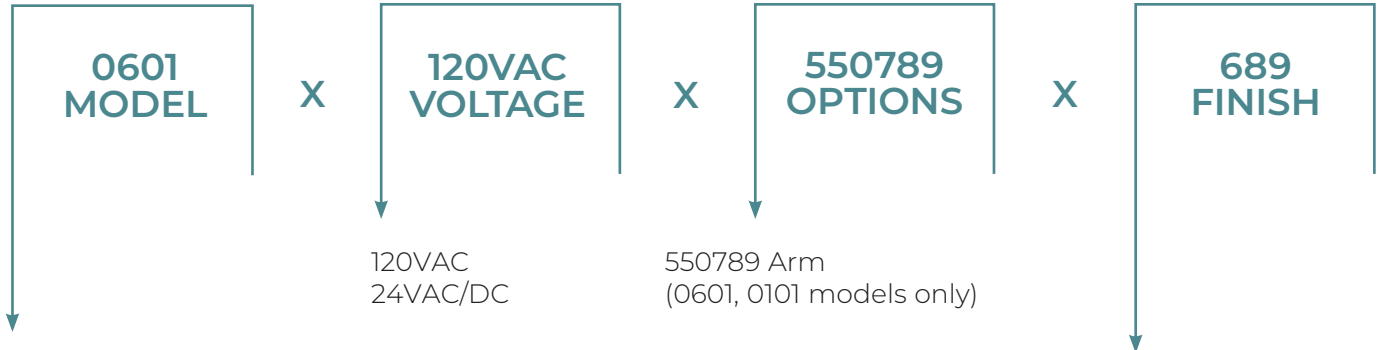
#### Electrical Data

- 24VAC/DC 80ma
- 120VAC 17ma



Arm	Reveal	Hold Open Range
Standard	3-1/2"	85-105°
Deep Reveal	3-1/2"	85-150°
	5-1/2"	85-135°

**HOW TO ORDER**



- 0600 Pull side mounting
- 0601 Push side mounting
- 0602 Holder on pull side/closer on push side
- 0100 Pull side mounting holder only
- 0101 Push side mounting holder only

ANSI/BHMA (US)	Description
689 (US28)	Aluminum, painted
690 (US20)	Dark bronze, painted
691 (US10)	Light bronze, painted
696 (US4)	Gold, painted
BSP	Black suede powder coat
WSP	White suede powder coat

**PRODUCT COMPARISON CHART**

	0600	0601	0602	0100	0101
Application	Cross corridor doors (swinging in the same direction)	Cross corridor doors (swinging in the opposite direction)	Cross corridor doors (swinging in the same direction)	Cross corridor doors - can be used with floor closers	Cross corridor, double egress doors - (doors swing in opposite directions)
Closer included	•	•	•		
Pull side mounting	•		Holder	Holder	
Push side mounting		•	Closer		Holder
Hold open range	85-145°	85-105°	85-180°	85-180°	85-105°
Maximum reveal <sup>1</sup>	1/8"	3-1/2"	1/8"	1/8"	3-1/2"

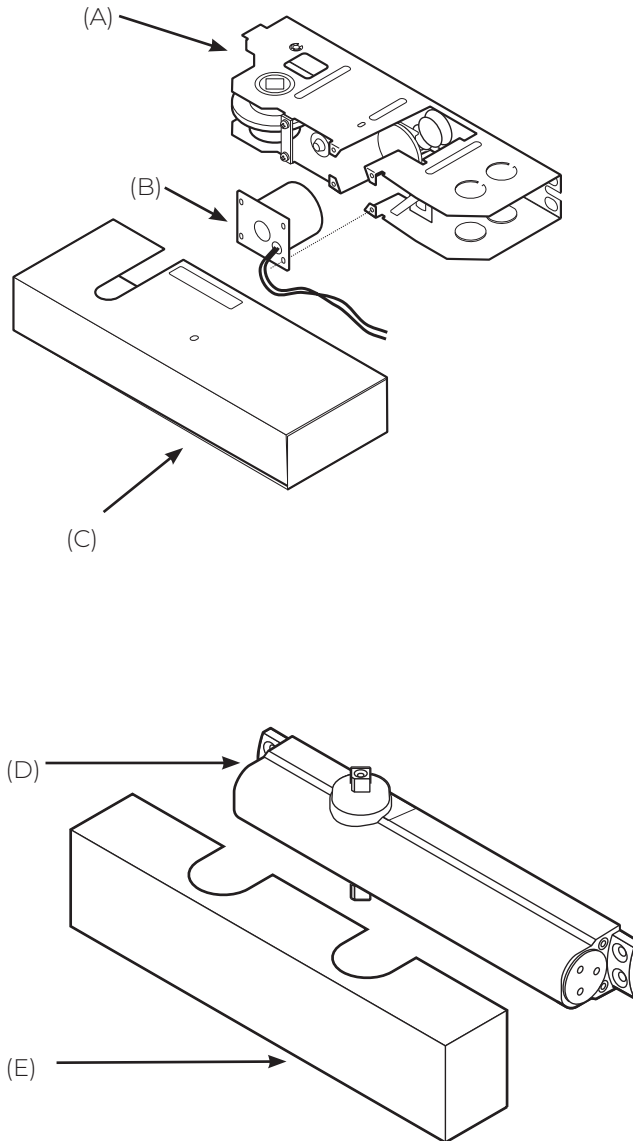
<sup>1</sup> When ordered with special arm 550789, additional reveals from 3-1/2" up to 5-1/2" may be accommodated (0601, 0101 only).

# SMOK-CHEK® V

## ELECTRIFIED CLOSERS AND HOLDERS

### PARTS DRAWING

- (A) Holder assembly  
550100 120VAC  
550101 24VAC/DC
- (B) Magnet  
930105 120VAC  
930106 24VAC/DC
- (C) Holder cover  
550106-\*
- (D) Closer body  
85010163-\*
- (E) Closer cover  
233069K\*



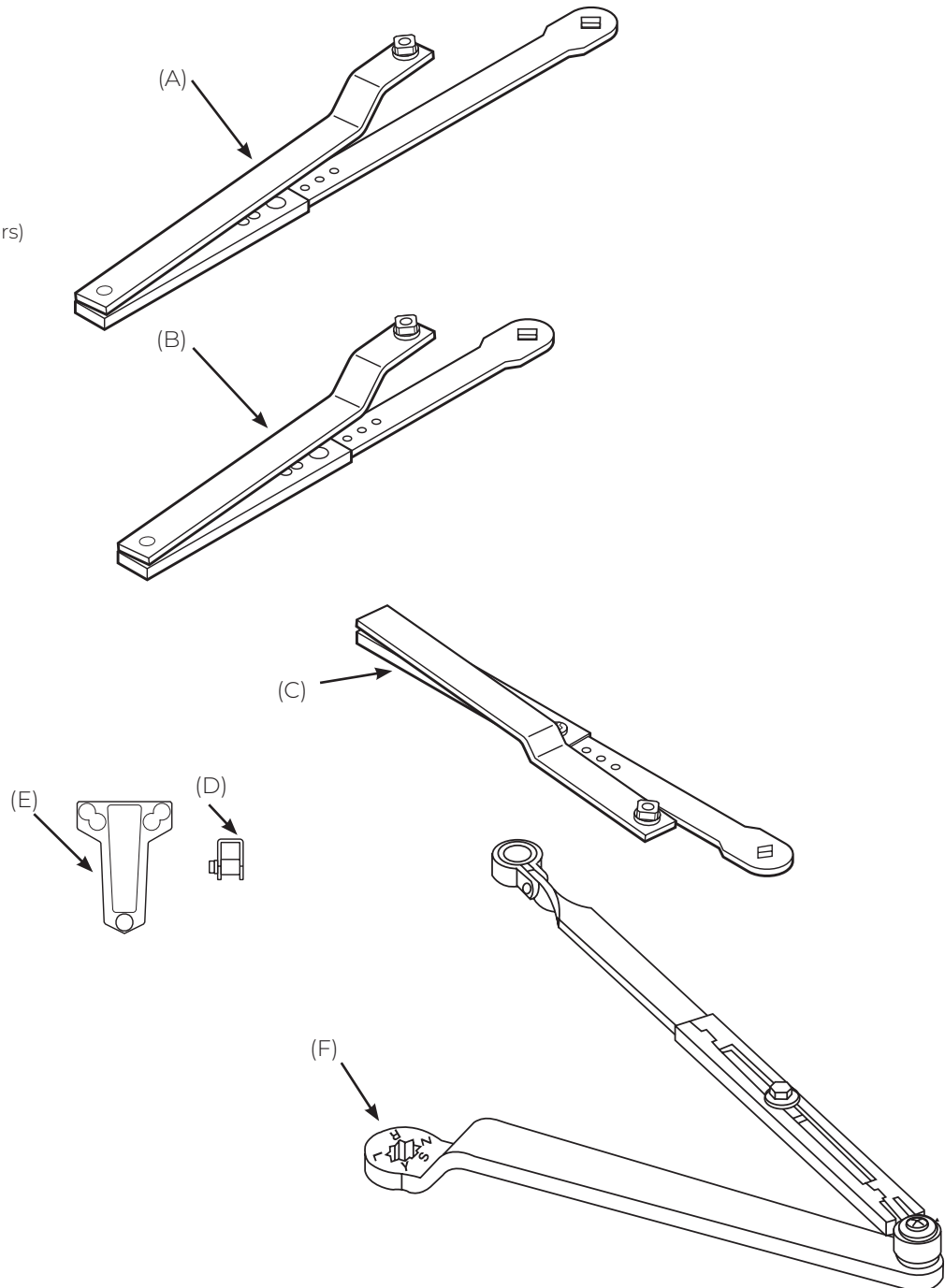
#### Screw Packs

550221-\*  
for models with closers

550131-\*  
for models without closers

**PARTS DRAWING**

- (A) Deep reveal push side arm  
550789-\*
- (B) Push side arm  
550136K\*
- (C) Pull side arm  
550120K-\*
- (D) Door pivot bracket  
(used with 0602 closers)  
565118T689
- (E) PA bracket  
(used with 0602 closers)  
40-1600-0450-078
- (F) Arm (used with 0602 closers)  
20-7700-0192-\*



\*specify finish



# CHECKMATE® 99

## ELECTRIFIED CLOSERS AND HOLDERS

### 99-726 PUSH SIDE MOUNT

#### Application

- Used with independent closers

#### Features

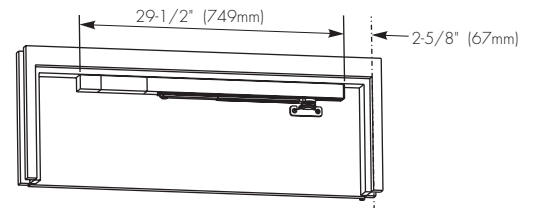
- Single-point hold open
- Push side mounting
- Surface mounted
- Non-handed
- Single acting
- Surface or concealed wiring
- Holding force: 25-35lbs.
- Hold open: 85° - 110°
- For doors 2' 8" x 4' 0"
- 2-year limited warranty

#### Certifications

- UL-cUL fire-rated up to 3 hours

#### Electrical Data

- 120VAC / 24VAC/DC 90mA



### 99-926 PULL SIDE MOUNT

#### Application

- Used with independent closers

#### Features

- Single-point hold open
- Pull side mounting
- Surface mounted
- Non-handed
- Single acting
- Surface or concealed wiring
- Holding force: 25-35lbs.
- Hold open: 85° - 110°
- For doors 2' 8" x 4' 0"
- 2-year limited warranty

#### Certifications

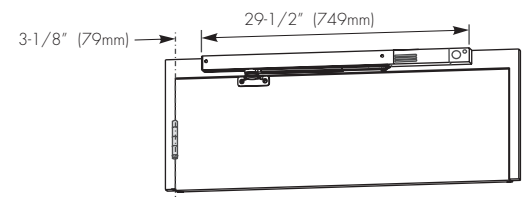
- UL-cUL fire-rated up to 3 hours

#### Electrical Data

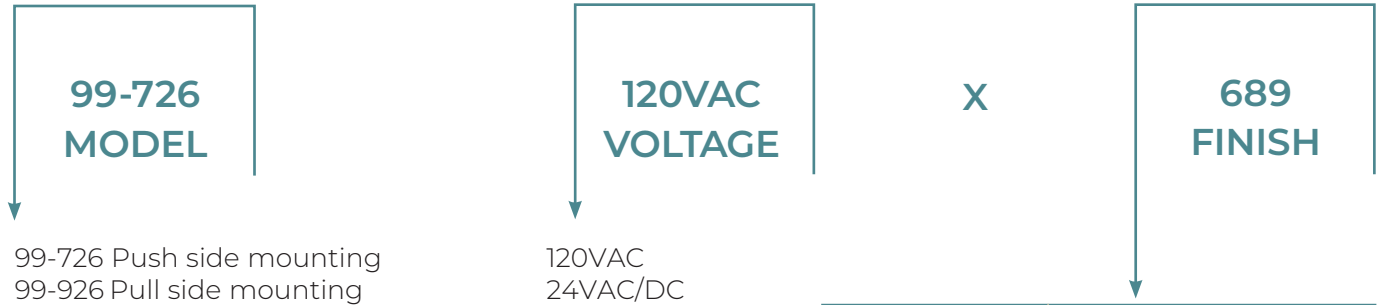
- 120VAC/24VAC/DC 90mA



99-926 shown



**HOW TO ORDER**

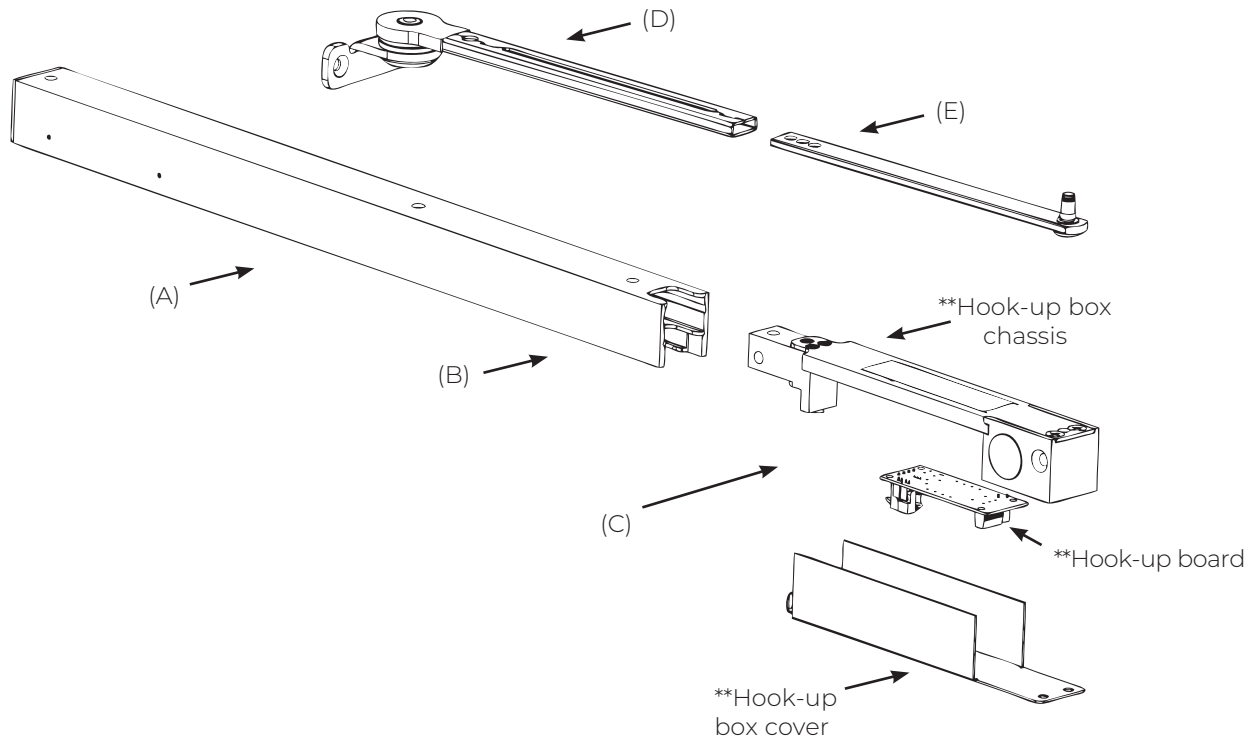


ANSI/BHMA (US)	Description
689 (US28)	Aluminum, painted
690 (US20)	Dark bronze, painted
691 (US10)	Light bronze, painted
696 (US4)	Gold, painted
BSP	Black suede powder coat
WSP	White suede powder coat

# CHECKMATE® 99

## ELECTRIFIED CLOSERS AND HOLDERS

### PARTS DRAWINGS



- (A) Slider assembly (not visible)  
20-0099-0337-500
- (B) Channel (for 99-726)  
20-0099-0608-\* (24V)
- (B) Channel (for 99-926)  
20-0099-0609-\* (24V)
- (C) Hook-up box assembly (for 99-726)  
20-0099-0604-\* (24V)  
20-0099-0605-\* (120V)
- (C) Hook-up box assembly (for 99-926)  
20-0099-0600-\* (24V)  
20-0099-0601-\* (120V)
- (D) Arm bracket & tube  
20-0099-0516-\*
- (E) Adjusting rod  
20-0099-0343-\*

**Screw Kit**  
20-0040-0534-\*

\*specify finish  
\*\* Not sold separately. Part of hook-up box assembly

The ASSA ABLOY Group is the global leader in access solutions.  
Every day, we help billions of people experience a more open world.

ASSA ABLOY Opening Solutions leads the development within door openings and products for access solutions in homes, businesses and institutions. Our offering includes doors, frames, door and window hardware, mechanical and smart locks, access control and service.

---



**ASSA ABLOY**

---

Since 1880, Norton Rixson door controls have been an integral part of schools, hospitals and businesses around the globe. When you need products and people that perform at the highest level, rely on Norton Rixson – From Open to Close.

**NORTON RIXSON | [WWW.NORTONRIXSON.COM](http://WWW.NORTONRIXSON.COM)**

3000 Highway 74 East | Monroe, NC 28112 | Tel: 1 877 974 2255

**ASSA ABLOY OPENING SOLUTIONS DOOR SECURITY SOLUTIONS CANADA | [WWW.ASSAABLOYDSS.CA](http://WWW.ASSAABLOYDSS.CA)**

160 Four Valley Drive | Vaughan, Ontario, L4K 4T9 Canada | Tel: 800 461 3007