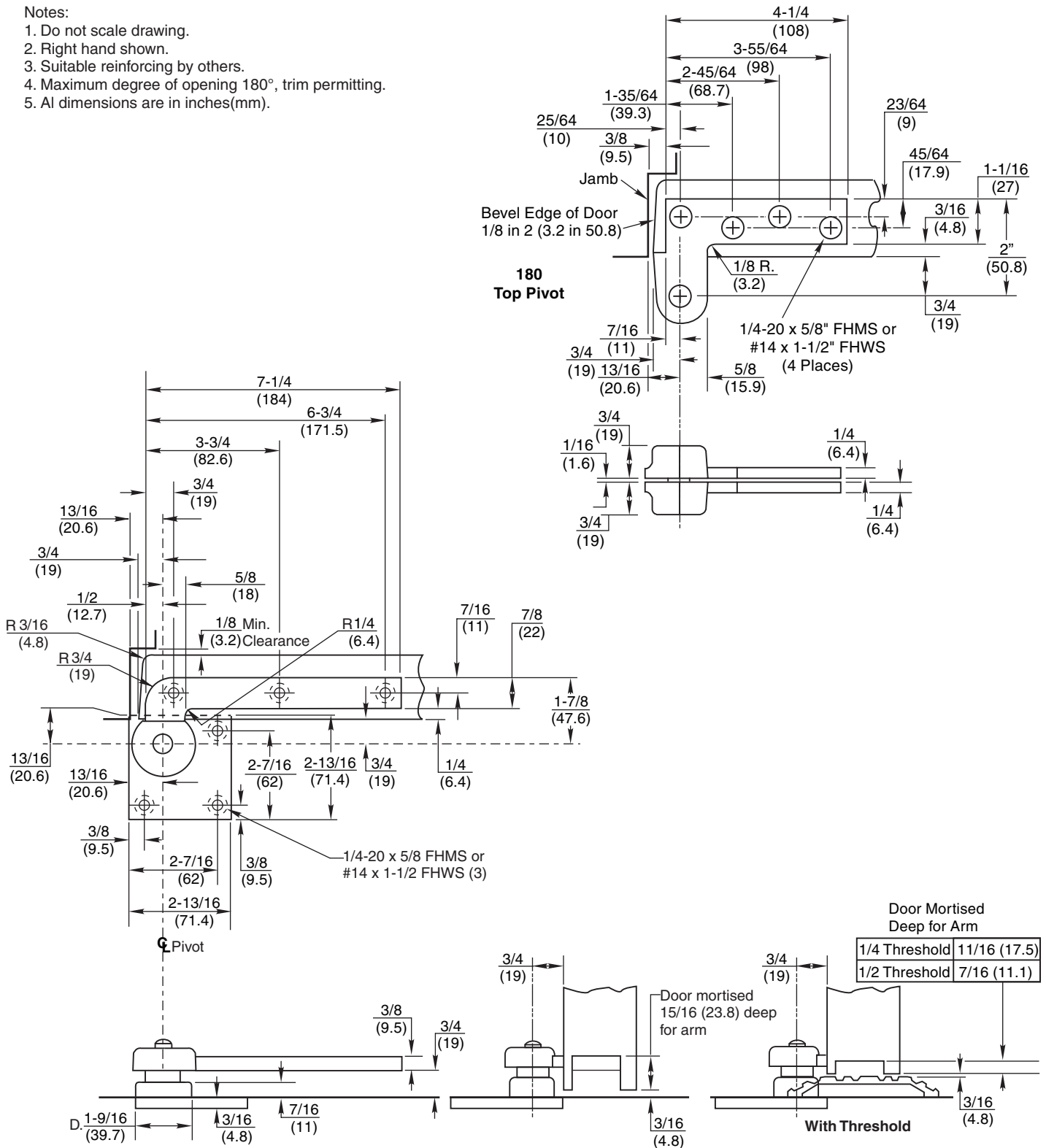


Notes:

1. Do not scale drawing.
2. Right hand shown.
3. Suitable reinforcing by others.
4. Maximum degree of opening 180°, trim permitting.
5. All dimensions are in inches(mm).



**F117/117 Pivot Set
3/4" Offset, Handed**

RIXSON
ASSA ABLOY

www.rixson.com

TEMPLATE NUMBER

REV.

DATE

IS-117

4

05-24

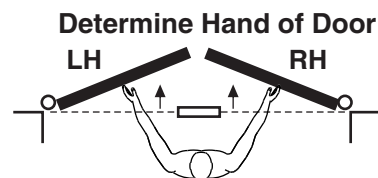
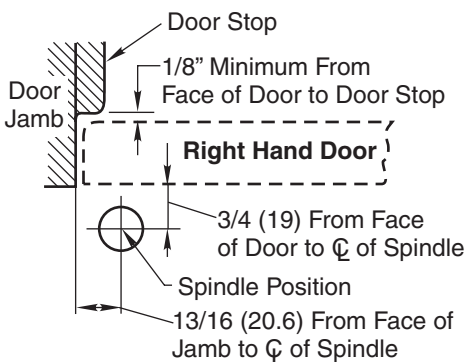
PART NUMBER: 11768

Approved 2024-05-09

F117/117 Pivot Set

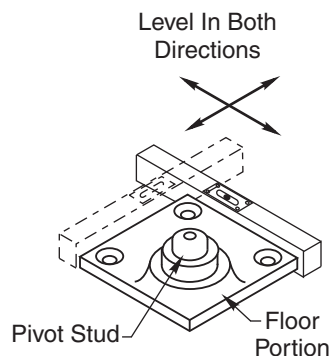
1. LOCATE PIVOT

- Measure 13/16 (20.6) from door jamb.
- Allow 1/8 (3.2) minimum clearance from door stop to door face. Measure door thickness; add 3/4 (19).
- Where lines meet determines centerline of pivot.



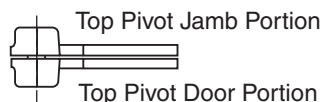
2. SET PIVOT SET (F117 & 117)

- Prepare floor to receive Floor Portion. Set anchors provided securely in floor.
- IMPORTANT:** Floor Portions must be level. Level in both directions per illustration.
- Floor Portion should be parallel with face of door.



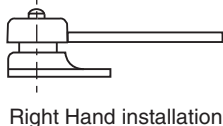
3. INSTALL TOP PIVOT AND PIVOT ARM.

- Install top pivot in door per template.
- Install top pivot in frame per template.
- Install arm in door per template.
- Centerline of top pivot should line up with centerline of spindle.
- If side jamb pivot is used, see required template M19.



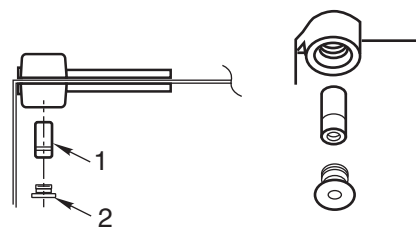
IMPORTANT
 Use plumb line to make sure that centerline of top pin lines up with centerline of Pivot Spindle.

117 & F117 Pivot Set



4. HANG DOOR

- Set door on Floor Portion.
- Push top pivot pin (1) up into place and replace cap (2).
- Put arm cap on arm and secure tightly with screw furnished.



Do Not Scale Drawing

**F117/117 Pivot Set
 3/4" Offset, Handed**

RIXSON[®]
ASSA ABLOY

www.rixson.com

TEMPLATE NUMBER	REV.	DATE
IS-117	4	05-24

PART NUMBER: 11768

Approved 2024-05-09