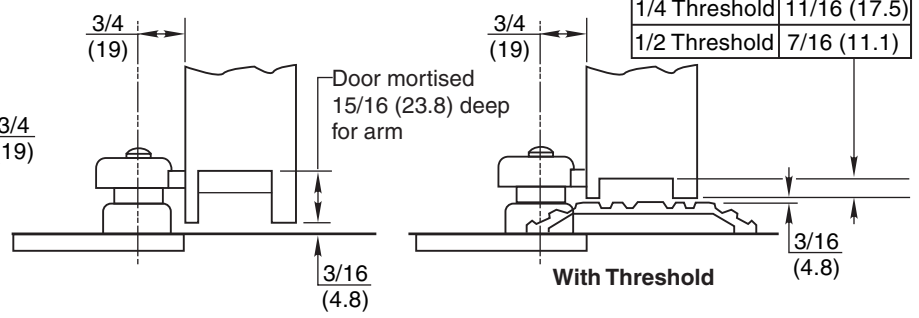
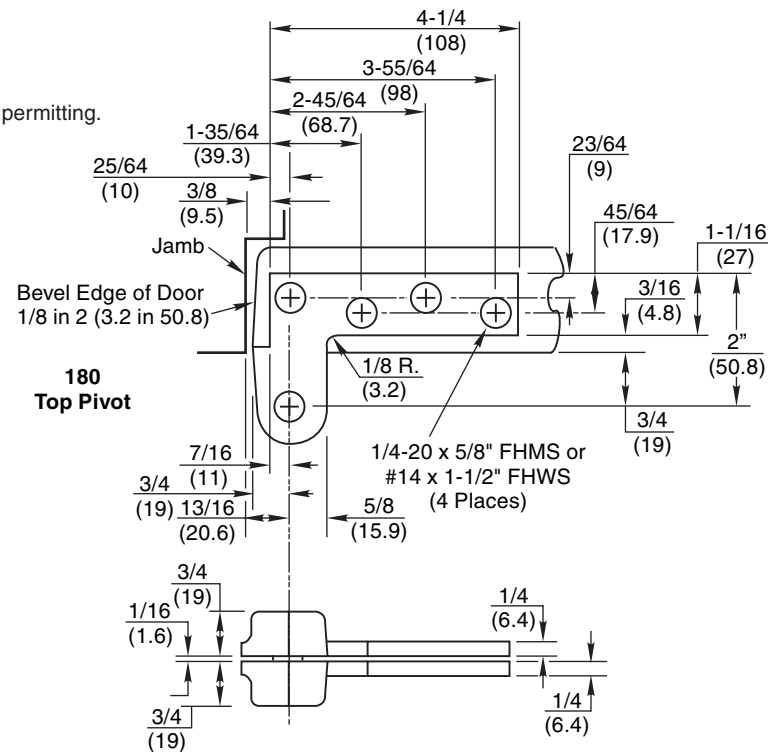
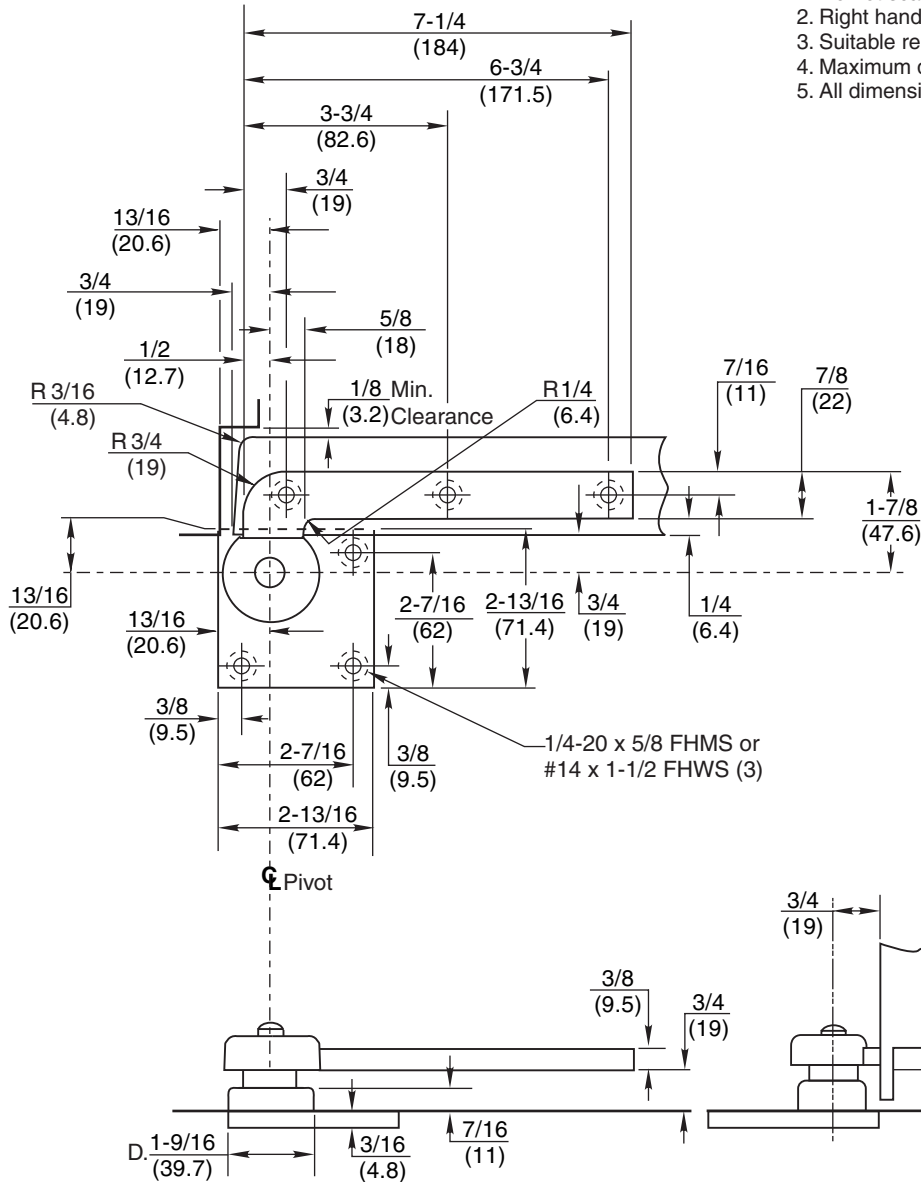


Notes:

1. Do not scale drawing.
2. Right hand shown.
3. Suitable reinforcing by others.
4. Maximum degree of opening 180°, trim permitting.
5. All dimensions are in inches(mm).



**F117 / 117 Pivot Set
3/4" Offset**



TEMPLATE NUMBER	REV	DATE
PS30005	4	02/22