

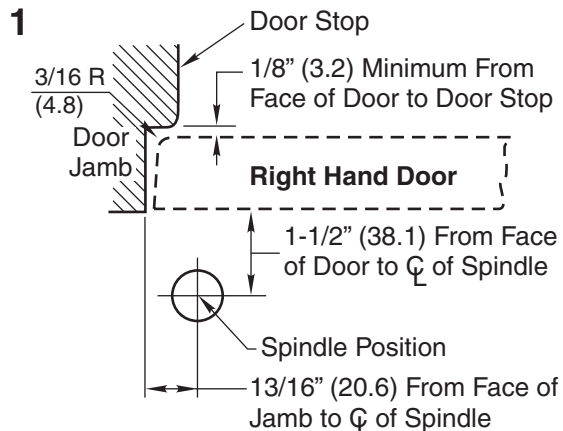
**147 Pivot Set  
 1-1/2" Offset, Handed**

**RIXSON®**  
**ASSA ABLOY**

www.rixson.com

TEMPLATE NUMBER	REV	DATE
IS-147 1.5	3	05-24

# 147 x 1-1/2" Pivot Set

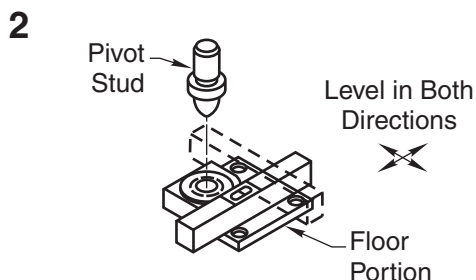


## 1. Install Pivot

- Measure 13/16" (20.6) out from door jamb.
- Allow 1/8" (3.2) min. clearance from door stop to door face. Measure door thickness. Add 1-1/2" (38.1).
- Where lines meet determines center line of closer.

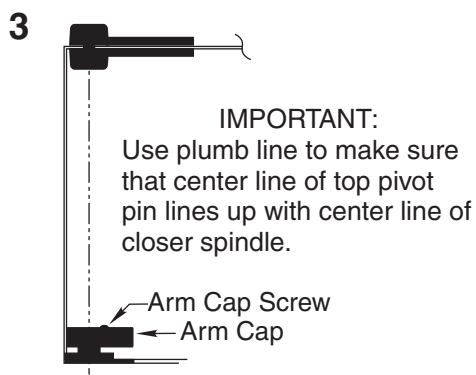
## 2. Set Pivot Set

- Prepare floor to receive floor portion. SET ANCHORS PROVIDED SECURELY IN FLOOR.
- Important:** Floor portion must be level. Level in both directions per illustration.
- Floor portion should be parallel with center line of door.
- Insert pivot stud in floor portion.



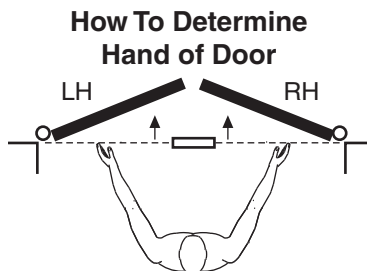
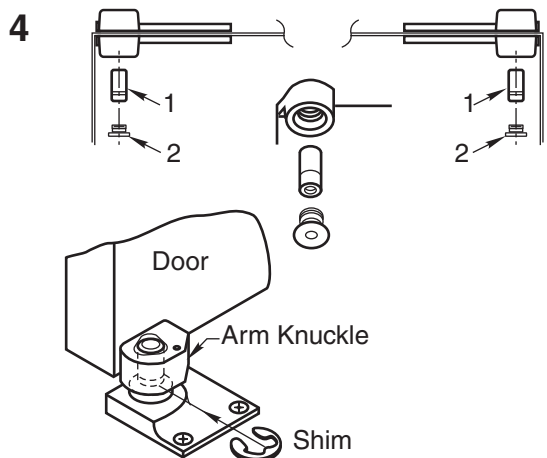
## 3. Install Top Pivot & Bottom Arm

- Install top pivot in door per template.
- Install top pivot in frame per template.
- Install arm in door per template.
- Center line of pivot should line up with center line of spindle. Use plumb line as illustrated.
- If side jamb pivot is used, see required template.



## 4. Hang Door

- Set door on pivot set spindle.
- Push Item 1 "top pivot pin" into place. Attach "cap" Item 2. CAP MUST BE TIGHTENED SECURELY.
- See Installation Instructions for M19/M190 x 1-1/2 Offset Intermediate Pivot.
- If door drags at floor (or threshold, if used) loosen arm locking screw and raise door to desired clearance and insert one or more 1/16" (1.6) shims. Retighten arm locking screw securely.
- Put arm cap on arm and secure tightly with cap screw furnished.



Face a door swinging open away from you. If it opens to the right, it is right hand. If it opens to the left, it is left hand.

**147 Pivot Set  
 1-1/2" Offset, Handed**

**RIXSON<sup>®</sup>**  
**ASSA ABLOY**

www.rixon.com

TEMPLATE NUMBER	REV	DATE
IS-147 1.5	3	05-24