

# 5303-5305 Floor Closer

## Offset Hung Single Acting - Handed Installation Instructions



ASSA ABLOY

### ⚠ WARNING

This product can expose you to lead which is known to the state of California to cause cancer and birth defects or other reproductive harm. For more information go to [www.P65warnings.ca.gov](http://www.P65warnings.ca.gov).

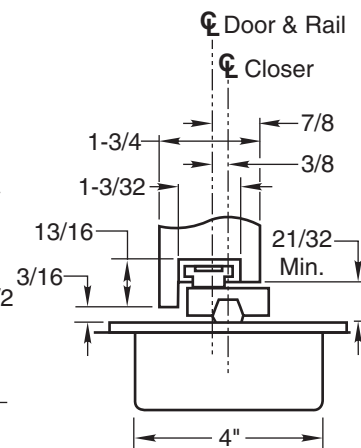
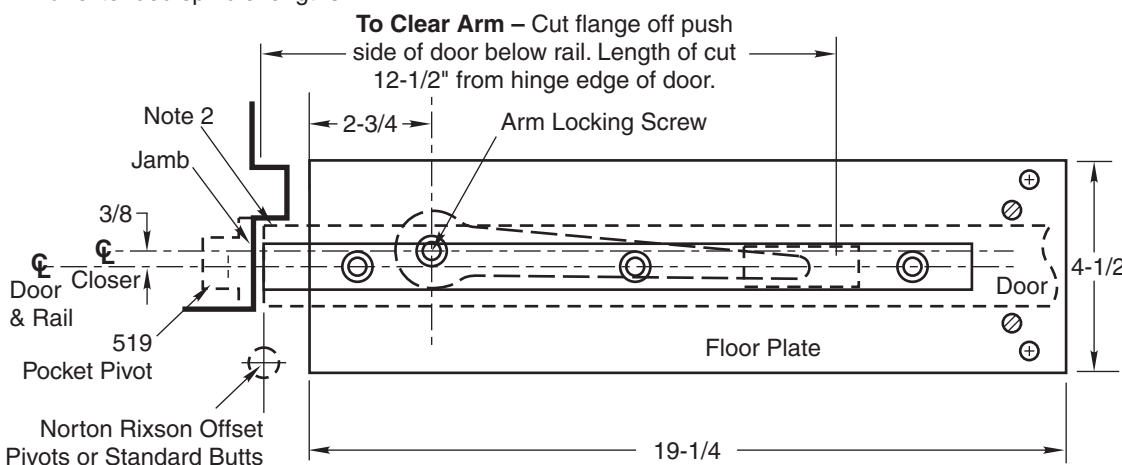
Door Thickness	Hinge/Pivot	Max Degree Opening
1-3/4"	4", 4-1/2", 5" Leaf Butt Hinge	120
	3/4" Offset Side Jamb Pivot	120
	519 Pocket Pivot	90
2-1/4"	5" Leaf Butt hinge	120
	3/4" Offset Side Jamb Pivot	110

Consult factory for other door thickness, hinge/pivot sizes or extended spindle lengths.

### Notes:

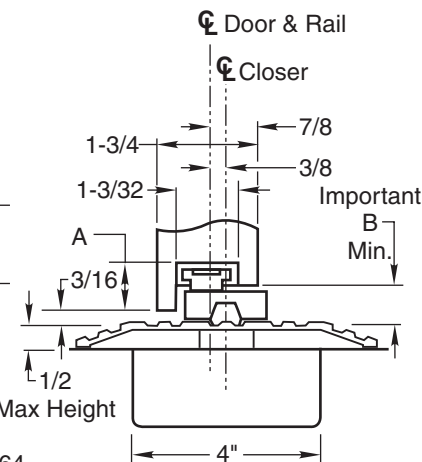
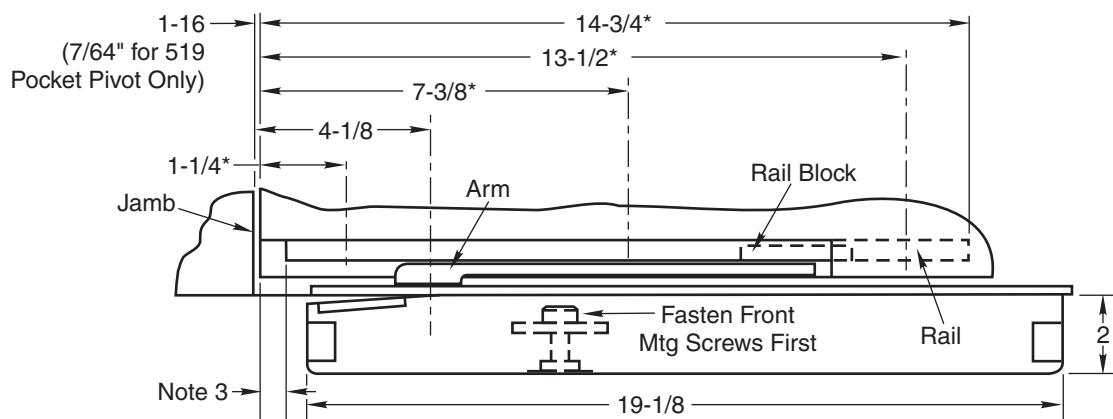
1. Right Hand Shown.
2. See pivot/hinge template for door configuration.
3. Rail to be 9/16" from hinge edge of door for 519 pivot only.
4. \*Add 9/16" to these dimensions for 519 pivot only.
5. For additional template details for Norton Rixson side jamb pivots refer to IP50050, for pocket pivot see IP50500 A & B.
6. Thresholds available on request (Norton Rixson design Type 4).
7. When threshold is used, door closer furnished must have a 1/2" longer spindle.
8. Auxiliary heavy duty door stop required.
9. Do not remove grind plate until closer is installed.
10. Dimensions are given in inches. Conversion to metric: inch x 25.4.

**DO NOT SCALE DRAWING**

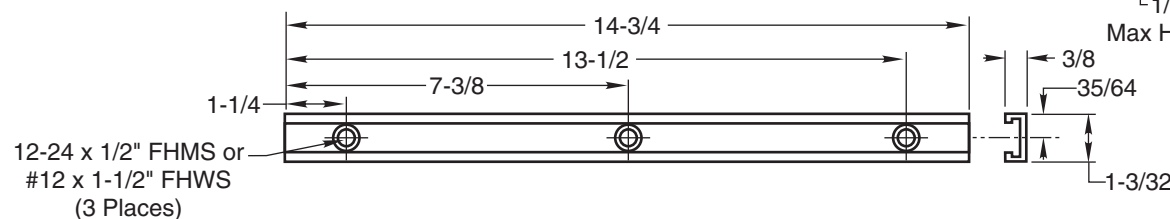


Set Cement Case  
Flush With Finished Floor

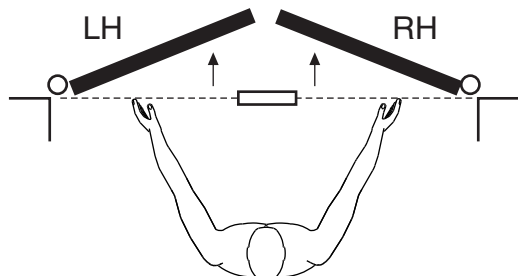
	A	B
1/4 Threshold	1-1/16	29/32
1/2 Threshold	13/16	21/32



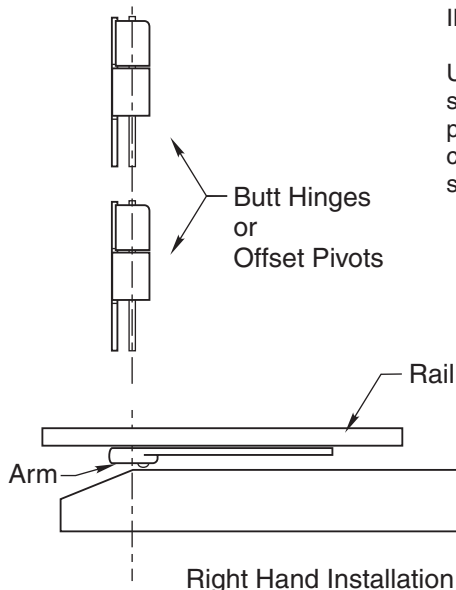
Set Cement Case  
Flush With Finished Floor



**How To Determine  
Hand of Door**



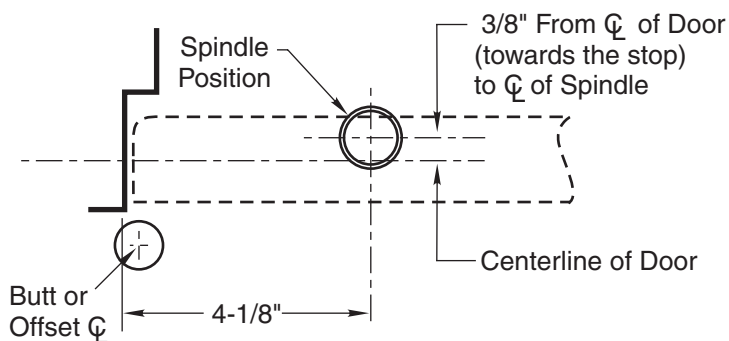
Face a door swinging open away from you. If it opens to the right, it is right hand. If it opens to the left, it is left hand.



**IMPORTANT:**

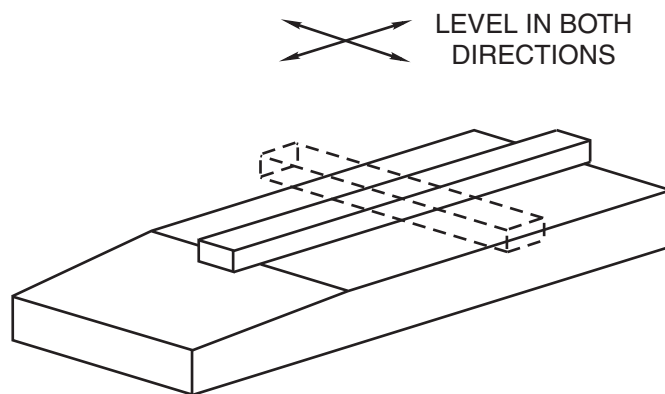
Use plumb line to make sure that center line of top pivot pin lines up with center line of closer spindle.

**1. Locating Closer**



- A. Measure from push side of door 1/2 the thickness of the door to determine centerline of door.
- B. To determine centerline of closer measure back towards the stop side 3/8" from center line of door.
- C. Where the 4-1/8" and 3/8" measurements intersect indicate the centerline of closer spindle.

**2. Install Cement Case in Floor**

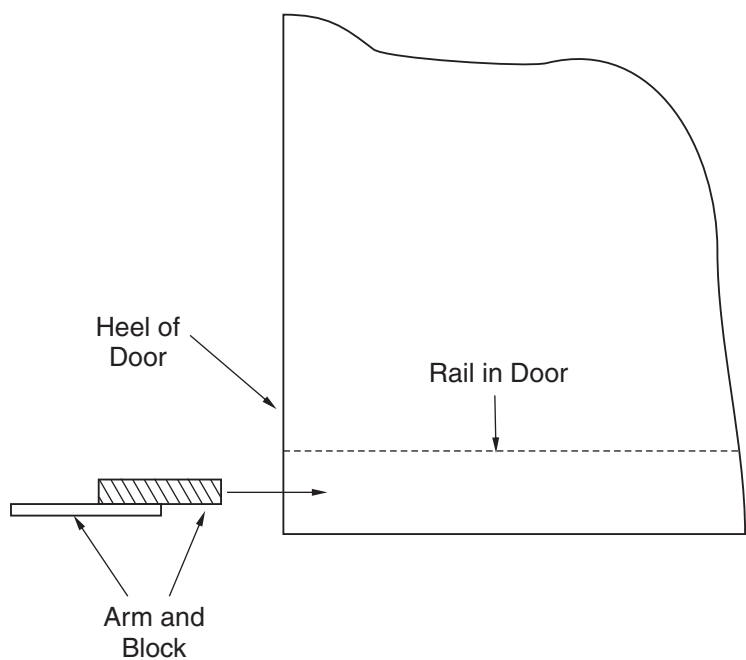


- A. Cement case is set flush with finished floor.
- B. Set cement case with closer in floor and block in position.
- C. Case should be parallel with center line of door.
- D. CEMENT CASE MUST BE LEVEL. Place levels per Illustration.
- E. Grout in cement case with closer. Cement should not get between closer and case.
- F. If centerline of closer needs position adjustment, loosen hold down screws (4) and reposition closer. Tighten hold down screws closest to spindle first then tighten screws at cylinder end. Note: Closer must be lifted approx. 1/8" before repositioning.

## 3. Hang Door

- A. Mortise door and jamb for butts or pivots per template.  
(See template T-519 for pocket pivot.)
- B. Install rail in door per template.
- C. Secure rail in place and hang door. Use a plumb line to assure that door is in vertical alignment.

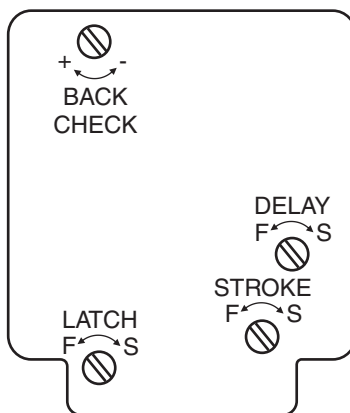
## 4. Attach Arm



- A. Close latch and stroke valves. (Turn Clockwise)
- B. Slide arm block into rail through heel edge of door.
- C. With door almost closed slide arm onto spindle thru notch in end of arm. (Rock door back and forth to seat arm on spindle.)
- D. Secure arm to spindle with screw furnished. **THE ARM SCREW MUST BE FASTENED SECURELY.** (Tighten screw when rocking door back and forth.)

The ASSA ABLOY Group is the global leader in access solutions. Every day we help people feel safe, secure and experience a more open world.

## Closer Adjustment



Closing speeds can be adjusted to suit local conditions and requirements. Label on closer face designates the purpose of each adjustment screw. Adjustments are for speed control.

- A. The stroke valve allows adjustment from open to 15°.
- B. The latch valve allows adjustment from 15° to closed position.
- C. **IMPORTANT:** Back check valve option must be adjusted to vary resistance from light to firm at 70° of door opening. **FAILURE TO DO SO MAY RESULT IN DAMAGE TO THE CLOSER AND RELATED HARDWARE.**
- D. The delay valve option allows closing speed adjustment from open position to 65°.
- E. This closer is NON-HOLD-OPEN factory set, no hold open adjustment.

**Note: With independently hung doors, on 53 closer, an auxiliary heavy duty door stop is required.**

Repairs, parts replacement or internal adjustments must be done by a Norton Rixson authorized repair agency. Consult [nortonrixson.com](http://nortonrixson.com) for an authorized repair agency in your area.

Technical Product Support:  
Monroe, NC 28112 USA  
Phone: 800.438.1951 ext: 6030  
[Techsupport.NortonRixson@assaabloy.com](mailto:Techsupport.NortonRixson@assaabloy.com)  
[NortonRixson.com](http://NortonRixson.com)