

Notes:

1. Do not scale drawing.
2. Dimensions are given in inches (mm).
3. Pivot drilled for 1/4-20 x 5/8" FHMS or #14 x 1-1/2" FHWS.
4. Right hand shown.

**FA180
 Top Pivot-Asylum Design
 3/4" Offset-Handed**

RIXSON[®]
ASSA ABLOY

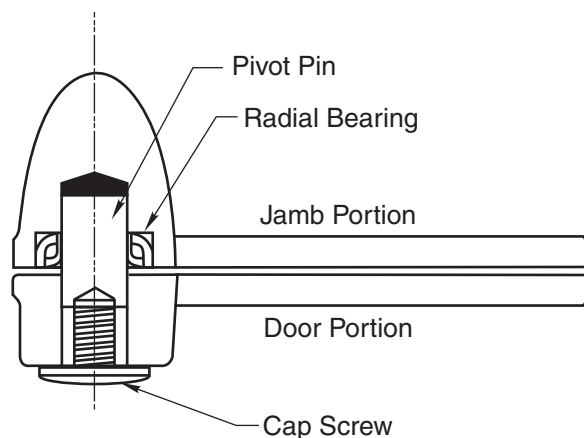
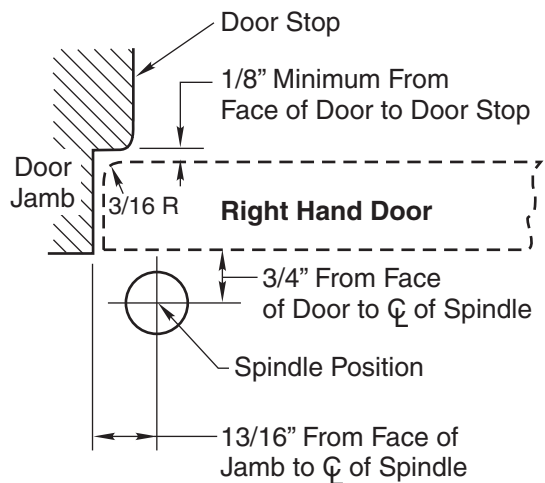
www.rixson.com

TEMPLATE NUMBER	REV	DATE
IS-FA180	3	05-24

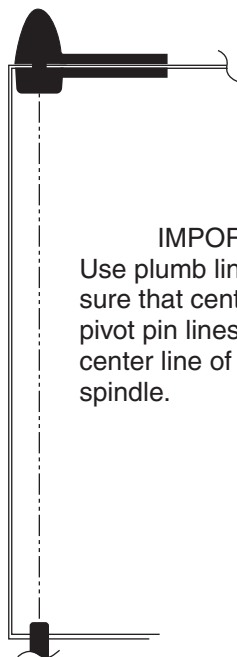
Handed

FA180 Top Pivot

3/4" Offset



Cut-Away View of Top Pivot



IMPORTANT:
 Use plumb line to make sure that center line of top pivot pin lines up with center line of closer spindle.

1. Install Pivot

- A. Install top pivot in door per template.
- B. Install top pivot in jamb per template.
- C. If side jamb pivot is used, see required template for instructions.

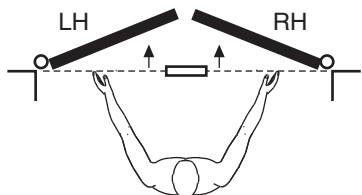
2. Alignment

Center line of pivot should line up with center line of bottom spindle. Use plumb line as illustrated.

3. Connecting Pivot:

When mounting door, push top pivot pin up into place and install cap screw. (See drawing).

How To Determine Hand of Door



Face a door swinging open away from you. If it opens to the right, it is right hand. If it opens to the left, it is left hand.

FA180
Top Pivot-Asylum Design
3/4" Offset-Handed

RIXSON
ASSA ABLOY

www.rixon.com

TEMPLATE NUMBER	REV	DATE
IS-FA180	3	05-24