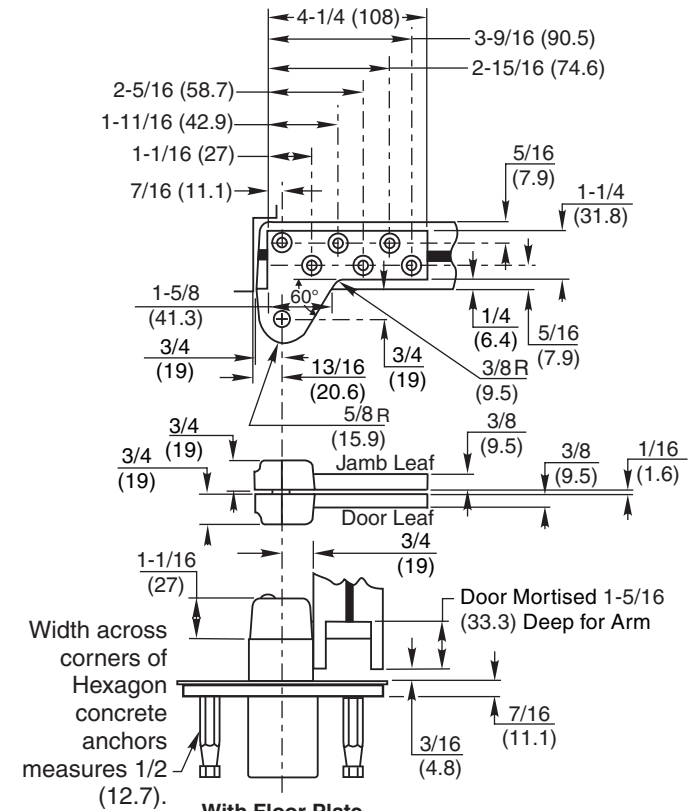


With Threshold

Set Cement Case Flush With Finished Floor To Maintain Proper Clearance Use One (1) 1/16 (1.6) Shim Between Arm & Arm Bearing Washer.



With Floor Plate

Set cement case 1/16 (1.6) below surface of finished floor

Notes:

1. Do not scale drawing.
2. Dimensions given in inches (mm).
3. Bottom arm drilled for 1/4-20 x 1" FHMS or #14 x 2" FHWS. Arm and top pivot drilled for 1/4-20 X 5/8" FHMS or #14 x 2" FHWS.
4. For Wood Doors: Pre-Drill arm and top pivot holes to prevent splitting.
5. If vertical adjustment is required, two 1/16" (1.6) shims are provided. Place shims between arm and spindle shoulder collar.
6. FML19 intermediate pivot must be used as required by codes.
7. This pivot set is to be used for 1-3/4" thick doors with lead placed in center of door. Maximum lead thickness is 9/32" (7.2).
8. Maximum degree of opening, trim permitting is 180°. Suitable reinforcement by others. Lead lining by others. Right Hand Shown.

**FL117 Pivot Set, Single Acting
 3/4" Offset-Handed
 For Lead Lined Fire Doors**



TEMPLATE NUMBER	REV	DATE
PS30040	3	01/22