

Notes:

1. Do not scale drawing.
2. Right hand shown.
3. Suitable reinforcing by others.
4. Leadlining by others.
5. Maximum weight limitation is 650 lbs.
6. Maximum degree of opening is 165° trim permitting.
7. FML 19 intermediate pivot must be used as required by codes.
8. All dimensions are in inches (mm).
9. Arm & Top Pivot drilled to receive 1/4-20 x 1" FHMS or #14 x 2" FHWS.
10. For Wood Doors: pre-drill Arm & Top Pivot holes to prevent splitting.
11. If vertical adjustment is required two 1/16" shims are provided. Place shims between arm and spindle shoulder collar.
12. This pivot set is to be used for 1-3/4 (44.5) thick doors with lead placed in center of door. Maximum lead thickness is 9/32 (7.1).

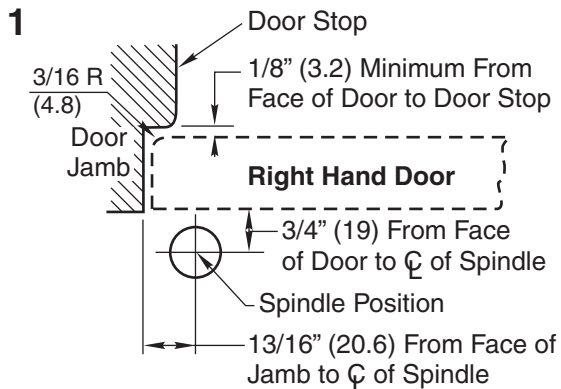
**FL147 Pivot Set for 1-3/4" Lead Lined Fire Door
 Lead in Center of Door
 3/4" Offset, Handed**

RIXSON
 ASSA ABLOY

www.rixson.com

TEMPLATE NUMBER	REV	DATE
IS-FL147	3	05-24

FL147 Pivot Set

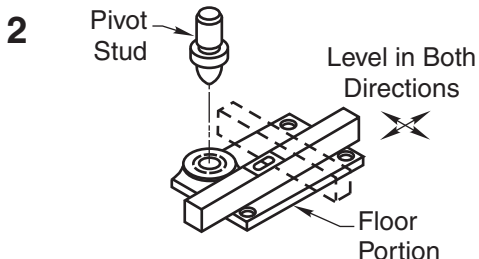


1. Install Pivot

- Measure 13/16" (20.6) out from door jamb.
- Allow 1/8" (3.2) min. clearance from door stop to door face. Measure door thickness. Add 3/4" (19).
- Where lines meet determines center line of closer.

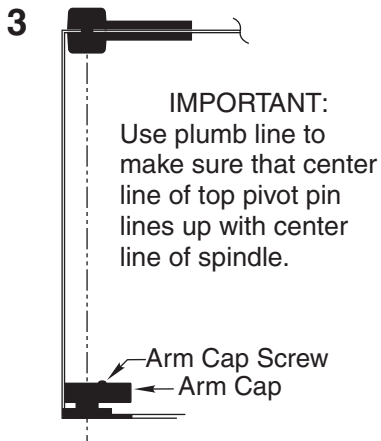
2. Set Pivot Set

- Prepare floor to receive floor portion. SET ANCHORS PROVIDED SECURELY IN FLOOR.
- Important:** Floor portion must be level. Level in both directions per illustration.
- Floor portion should be parallel with center line of door.
- Insert pivot stud in floor portion.



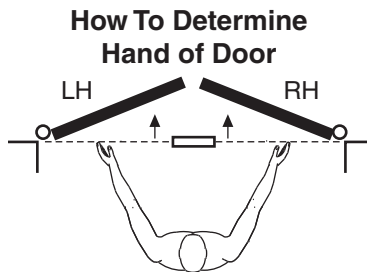
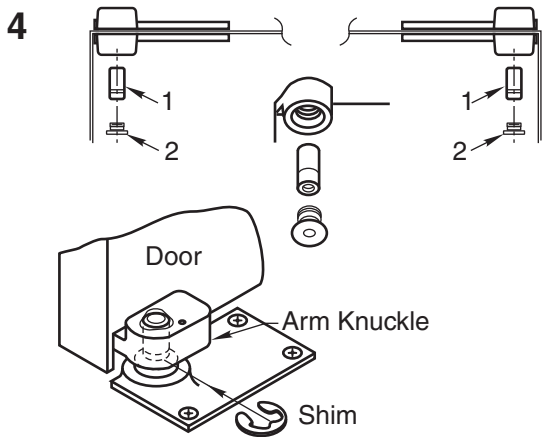
3. Install Top Pivot & Bottom Arm

- Install top pivot in door per template.
- Install top pivot in frame per template.
- Install arm in door per template.
- Center line of pivot should line up with center line of spindle. Use plumb line as illustrated.
- If side jamb pivot is used, see required template FM 19.



4. Hang Door

- Set door on pivot set spindle.
- Push Item 1 "top pivot pin" into place. Attach "cap" Item 2. CAP MUST BE TIGHTENED SECURELY.
- See Installation Instructions for FML19 Intermediate Pivot.
- If door drags at floor (or threshold, if used) loosen arm locking screw and raise door to desired clearance and insert one or more 1/16" (1.6) shims. Retighten arm locking screw securely.
- Put arm cap on arm and secure tightly with cap screw furnished.



Face a door swinging open away from you.
 If it opens to the right, it is right hand. If it opens to the left, it is left hand.

FL147 Pivot Set for 1-3/4" Lead Lined Fire Door
Lead in Center of Door
3/4" Offset, Handed

RIXSON
ASSA ABLOY

www.rixon.com

TEMPLATE NUMBER	REV	DATE
IS-FL147	3	05-24