

Figure 1 - Rolling steel fire door shown above.  
 The 972U is adaptable to many other doors or shutters through the use of various linkage systems.

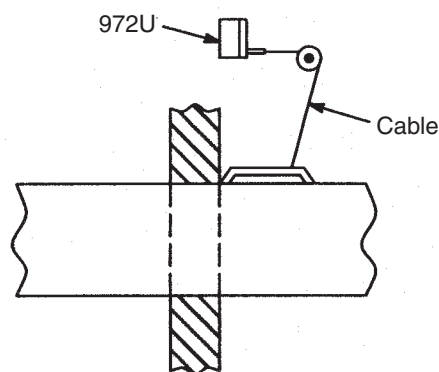


Figure 2 - Hinged fire door for duct passing through opening in fire wall.

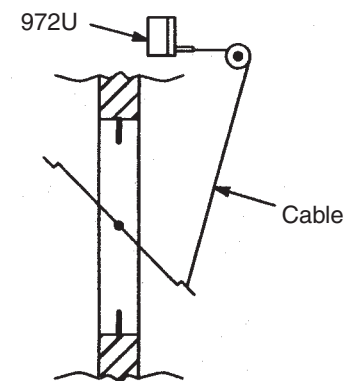


Figure 3 - Center pivoted self-closing window.

**NOTES:**

1. Do not scale drawing.
2. Anchorage to supporting wall should be capable of withstanding a 300 lb. pull.
3. Factory mutual approved for Class 1, Division 2 locations.
4. Power requirements: 12 VDC, 24 VAC, 120VAC.
 

12 VDC	.08 amps
24 VDC	.08 amps
24 VAC	.150 amps
120 VAC	.150 amps
5. All mounting preparation to be done by others.
7. All dimensions given in inches (mm).

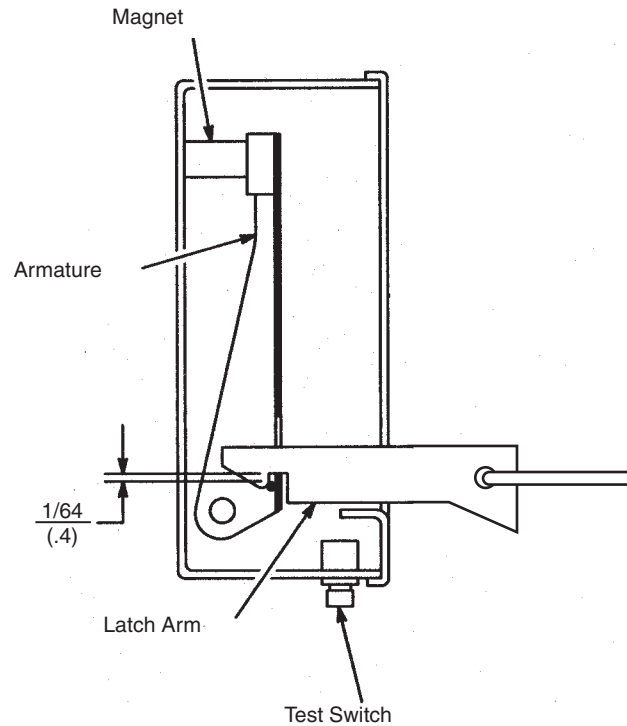
**972U Door Release  
 Overhead/Rolling Door and  
 Special Door Application**



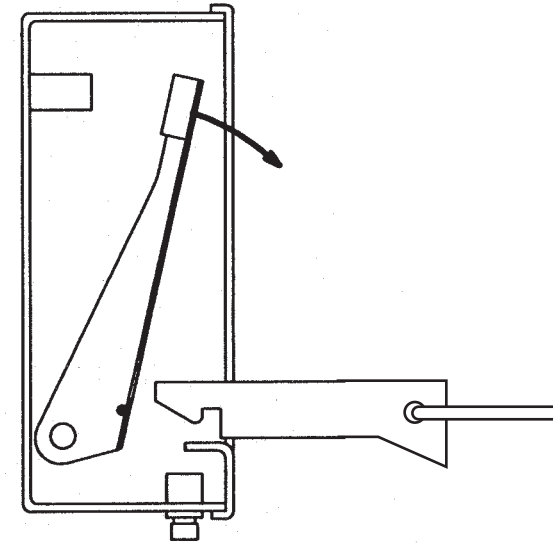
**ASSA ABLOY**

TEMPLATE NUMBER	SHEET	REV	DATE
<b>DR100020</b>	<b>1 of 2</b>	<b>4</b>	<b>06/22</b>

Approved 2022-06-16



**Latch Shown In Engaged Position**



**Latch Shown In Release Position**

#### Installation Instructions

The 972U may be mounted in various positions to suit in-use conditions. To insure proper operation the following installation practices must be followed.

1. Check existing power supply rating against rated voltage on unit. Voltage specifications label located inside of unit in the box cover.
2. Unit must be mounted vertically.
3. The pull on the latch arm must always be 90° to the face of the main unit.

### 972U Door Release Overhead/Rolling Door and Special Door Application

Approved 2022-06-16



ASSA ABLOY

TEMPLATE NUMBER	SHEET	REV	DATE
DR100020	2 of 2	4	06/22