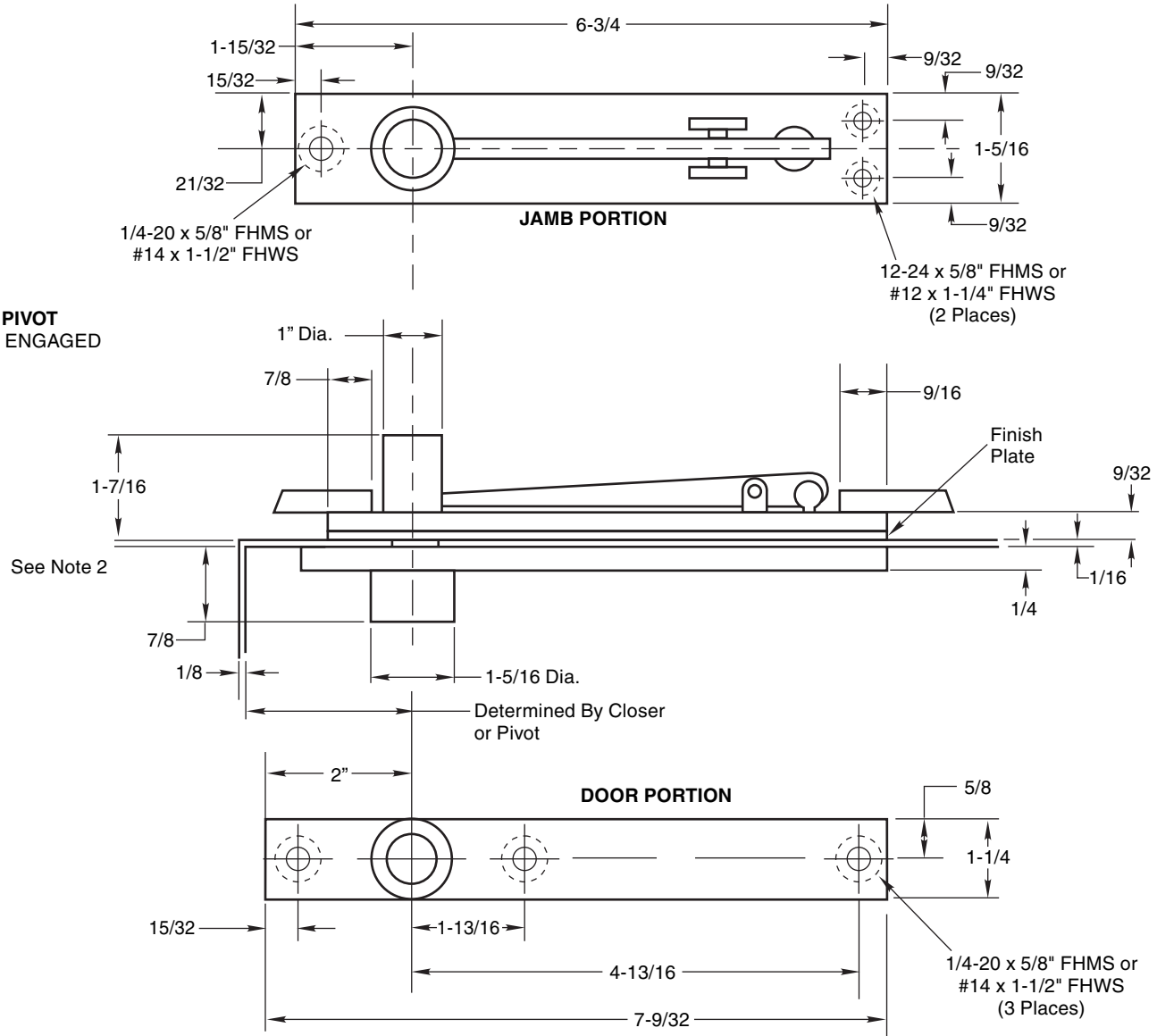


Notes:

1. Do not scale drawing.
2. Minimum pivot point from heel edge of door is 2".
3. All dimensions are in inches.

**H340 TOP PIVOT
 PIVOT SHOWN ENGAGED**



**H340 Top Pivot
 Center Hung**



TEMPLATE NUMBER	REV	DATE
TP40240	3	01/22