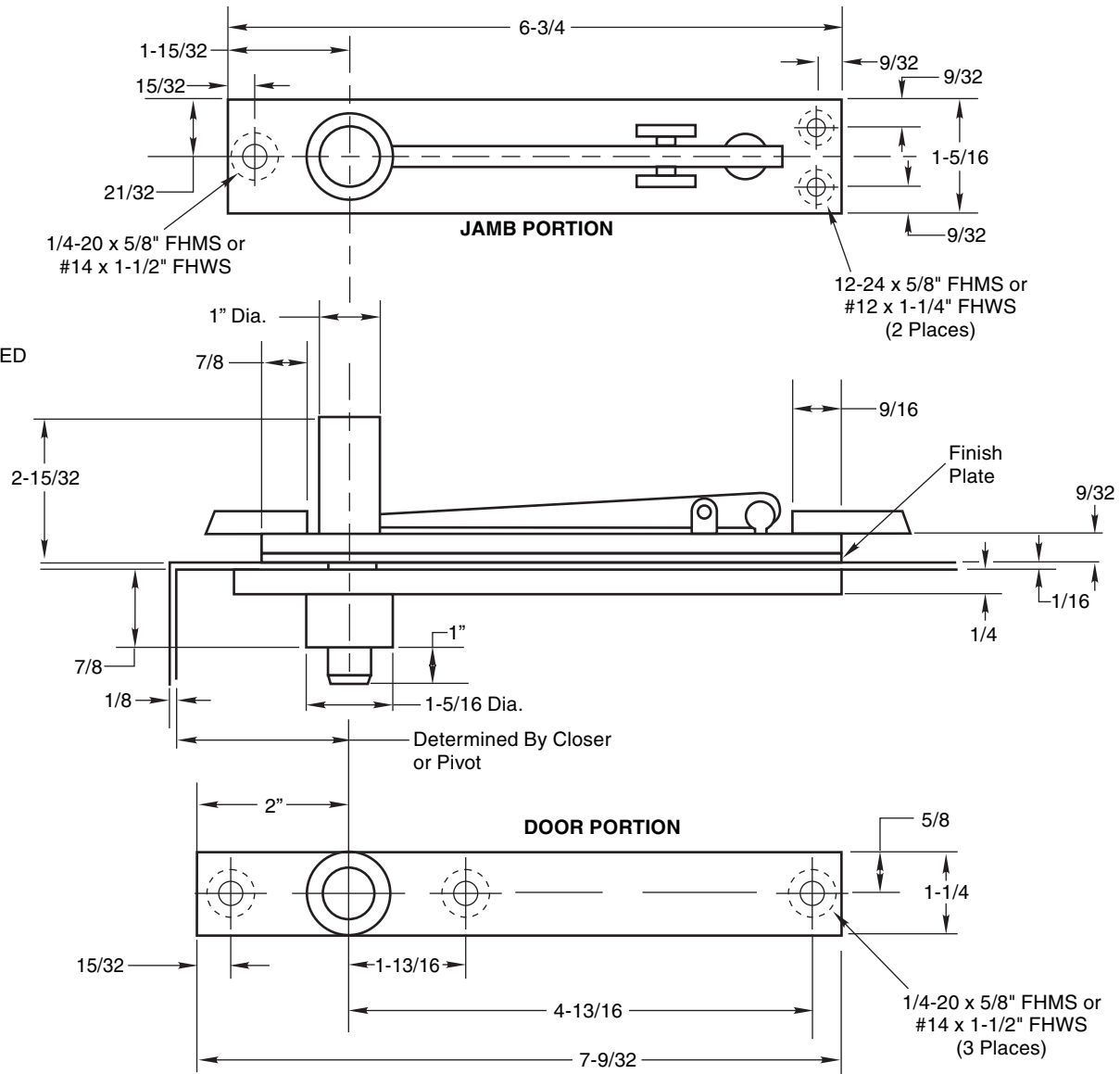


- Notes:**
 1. Do not scale drawing.
 2. All dimensions are in inches.

**H345 TOP PIVOT
 PIVOT SHOWN ENGAGED**



**Top Pivot
 H345
 Center Hung**



TEMPLATE NUMBER	REV	DATE
TP40245	3	01/22

Approved 2023-12-15