

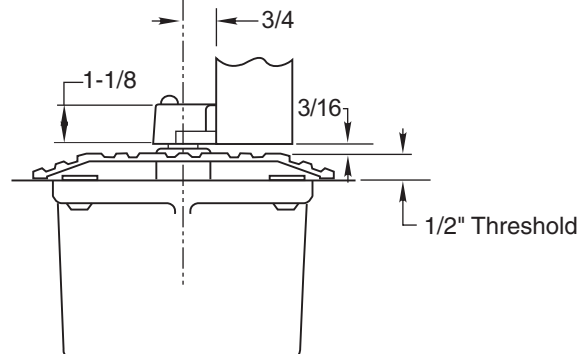
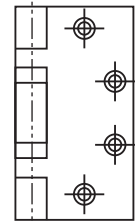
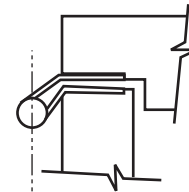
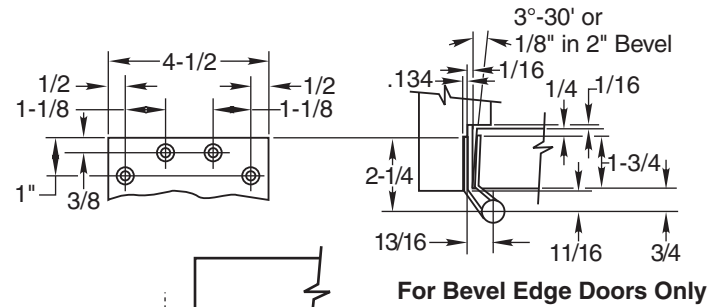
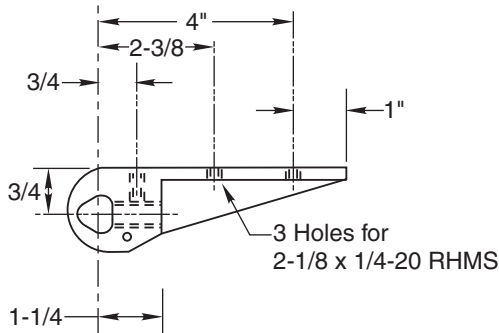
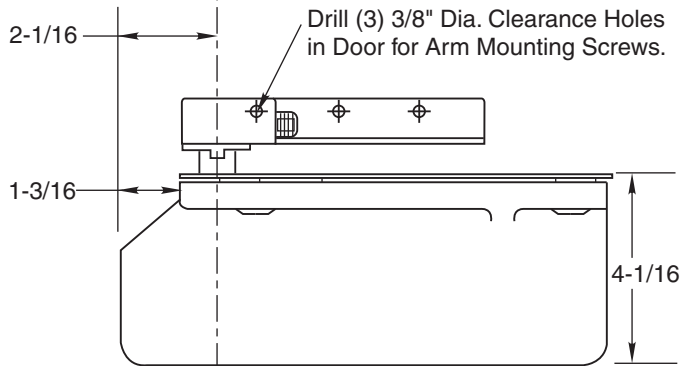
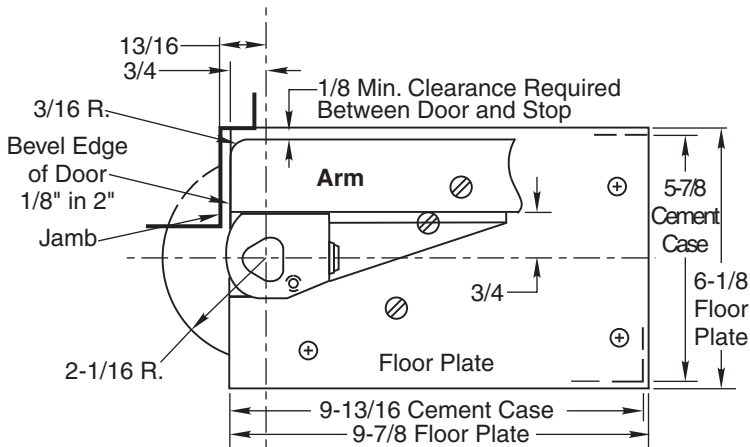
HM27 Floor Closer

3/4" Offset Pivoted - Handed

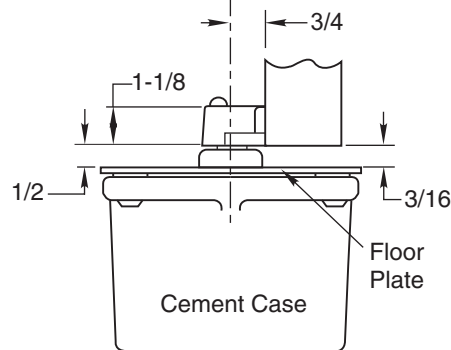
Installation Instructions

! WARNING

This product can expose you to lead which is known to the state of California to cause cancer and birth defects or other reproductive harm. For more information go to www.P65warnings.ca.gov.



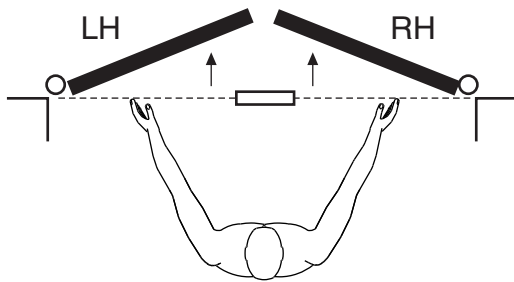
WITH THRESHOLD
Set Cement Case Flush with Finished Floor



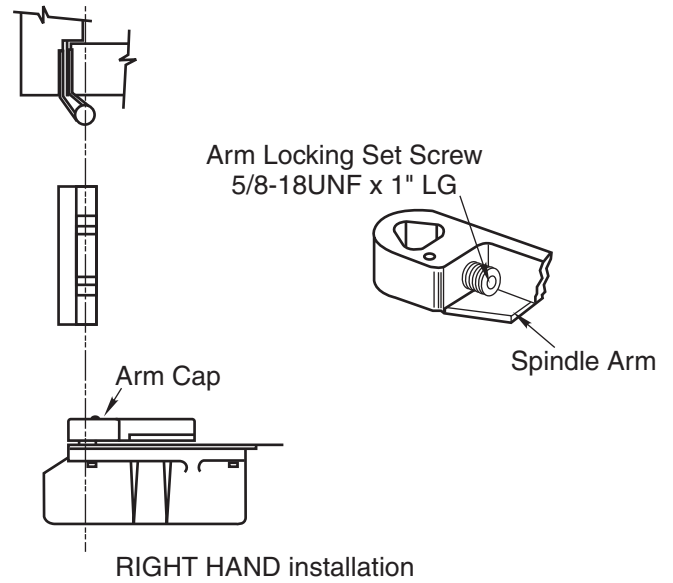
WITH FLOOR PLATE
Set Cement Case 1/8" Below Surface of Finished Floor

Right Hand Shown
Conversion from inches to metric: inch x 25.4

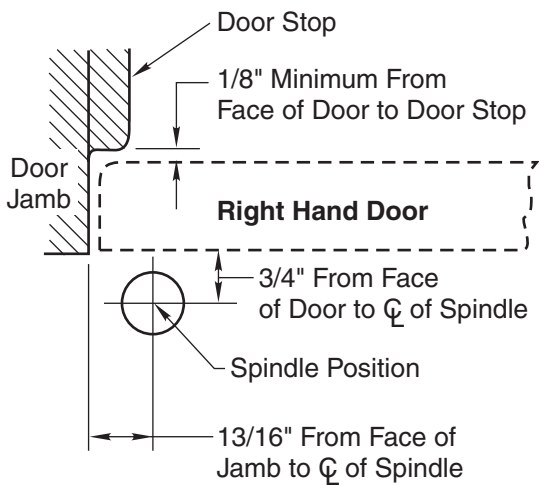
**How To Determine
Hand of Door**



Face a door swinging open away from you. If it opens to the right, it is right hand. If it opens to the left, it is left hand.

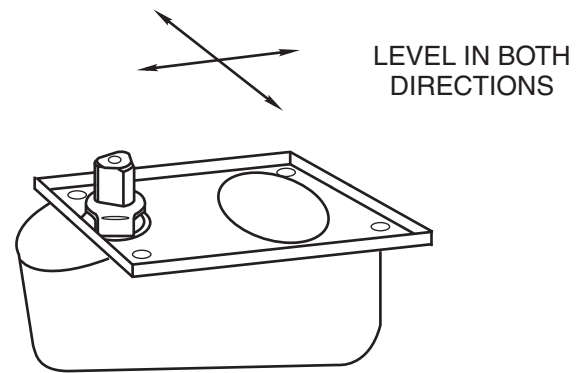


1. Locating Closer



- A. Measure 13/16" out from door jamb.
- B. Allow 1/8" minimum clearance from door stop to door face. Measure door thickness. Add 3/4".
- C. Where lines meet determines center line of closer.

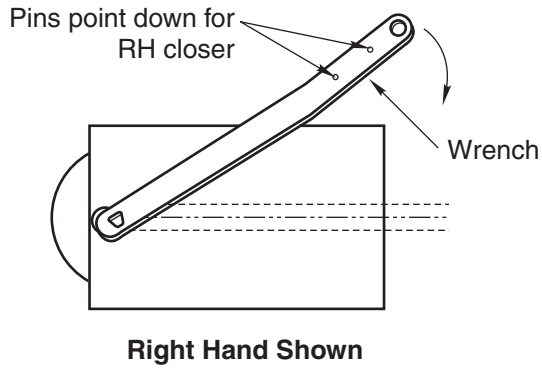
2. Install Cement Case in Floor



- A. For floor plate application: Cement case is set 1/8" (3.2mm) below floor level.
- B. For threshold application: Cement case is set flush with floor.
- C. Set cement case in floor and block in position.
- D. Case should be parallel with center line of door.
- E. Use Quick Spotter, furnished with closer, to locate closer.
- F. Grout in cement case with closer. Cement should not get between closer and case.

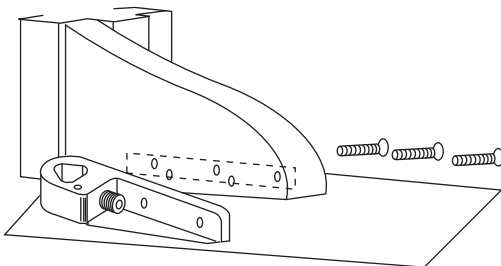
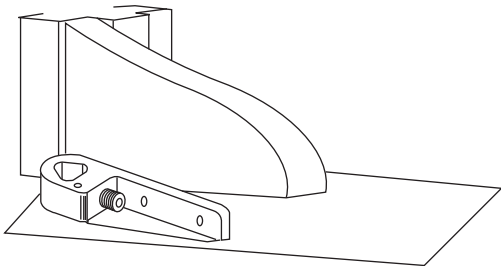
3. Hang Door

4. Attach Closer Arm



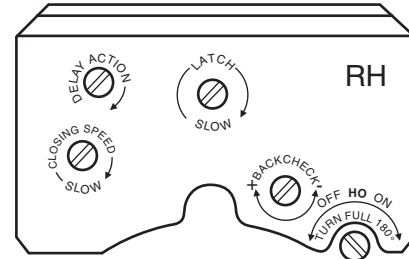
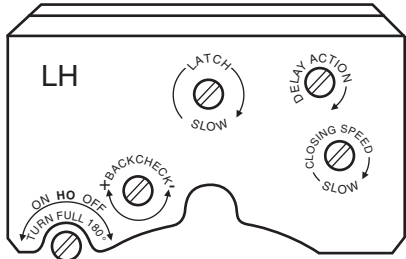
CAUTION: Closer is shipped with "Stroke" valve down. DO NOT FORCE VALVE DOWN.

- Turn spindle until wrench is parallel with center line of closer.
- Slip arm on spindle and spot arm mounting holes.
- Drill three (3) 3/8" diameter holes in door for arm mounting screws.
- Attach arm as shown.
- Open Closing Speed and Latch Speed valves (counterclockwise) one turn. Door will then close.



The ASSA ABLOY Group is the global leader in access solutions. Every day we help people feel safe, secure and experience a more open world.

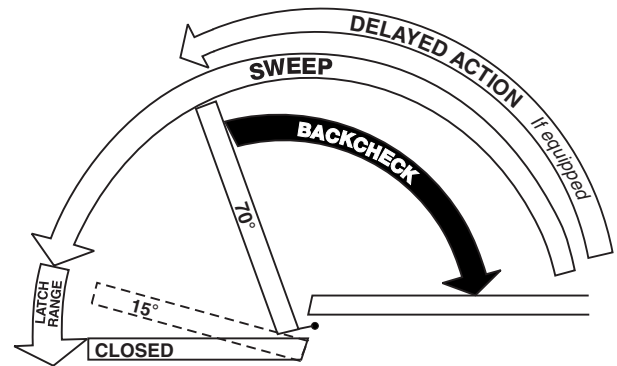
Closer Adjustment



This Set Screw Is On Selector Hold-open Types Only

Closing speeds can be adjusted to suit local conditions and requirements. Label on closer face designates the purpose of each adjustment screw. Adjustments are for speed control.

- A. The Delay Action valve allows adjustment from full open to 65° closed position. (Optional)
- B. The Closing Speed valve allows adjustment from full open to 15° on units without the Delay Action feature.
- C. The Closing Speed valve allows adjustment from 65° to 15° closed position on closers with Delay Action feature.
- D. Latch valve allows adjustment from 15° to closed position.
- E. Important: Backcheck adjustment must be adjusted to vary resistance from light to firm at 60° of door open. Do not use Backcheck as deadstop. This is an intensity valve not speed control.



Technical Product Support:
 Monroe, NC 28112 USA
 Phone: 800.438.1951 ext: 6030
 Techsupport.NortonRixson@assaabloy.com
 NortonRixson.com