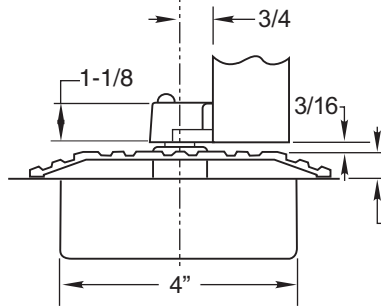
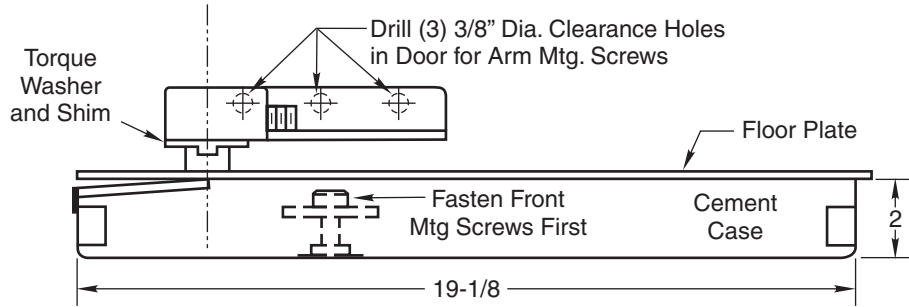
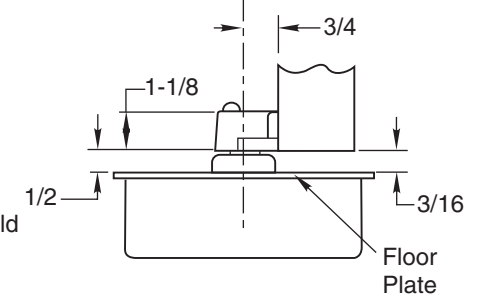


Offset Hinge
 3 Per Door

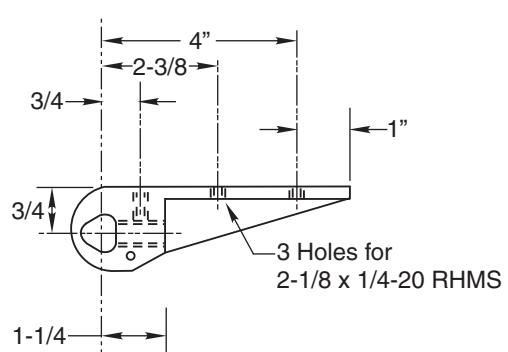
For Bevel Edge Doors Only



WITH THRESHOLD
 Set Cement Case Flush
 with Finished Floor



WITH FLOOR PLATE
 Set Cement Case Flush
 with Finished Floor



- Notes:**
1. Do not scale drawing.
 2. All dimensions given in inches.
 3. Right Hand Shown.
 4. Norton Rixson design thresholds available on request.
 5. Do not remove grind plate until closer is installed.
 6. No built-in dead stop. External stop required, by others.

**HM51 Floor Closer
 3/4" Offset
 For Use on 1-3/4" Doors Only**



TEMPLATE NUMBER	REV	DATE
OS10210	3	12/21