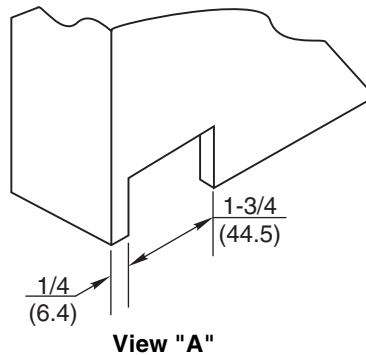


For door thickness not listed, use next smaller size.

Door Size	Dim. A	Dim. B	Max. Lead Thk.
1-3/4 (44.5)	1-1/4 (31.8)	1/4 (6.4)	9/32 (7.1)
2" (50.8)	1-3/8 (34.9)	5/16 (7.9)	3/8 (9.5)
2-1/4 (57.2)	1-1/2 (38.1)	3/8 (9.5)	15/32 (11.9)
2-1/2 (63.5)	1-5/8 (41.3)	7/16 (11)	9/16 (14.3)
3" (76.2)	2" (50.8)	1/2 (12.7)	3/4 (19)

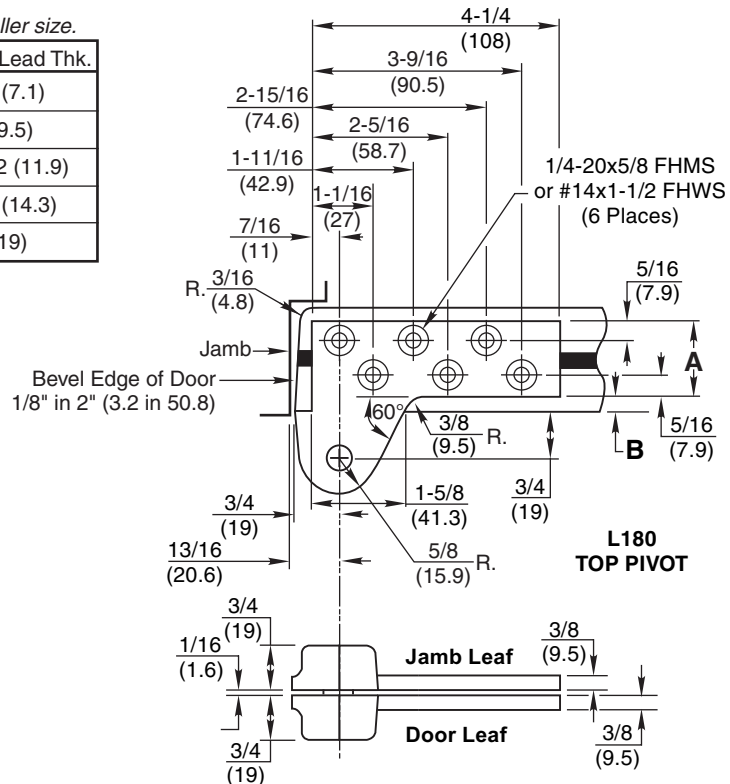
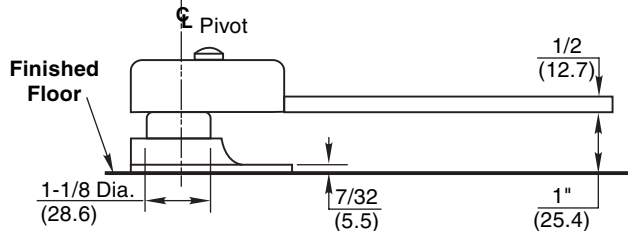
1/8" (3.2) Min.
 Clearance Req'd.
 Between Door & Stop



View "A"

Notes:

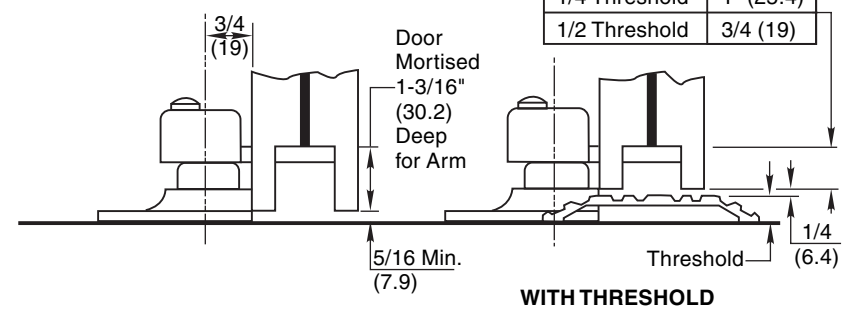
1. Do not scale drawing.
2. Right hand shown.
3. Suitable reinforcing by others.
4. Max. degree of opening 180°, trim permitting.
5. Leadlining by others.
6. Maximum weight limitation is 800 lbs.
7. Arm drilled to receive 1/4-20 x 1" FHMS or #14 x 2" FHWS.
8. For Wood Doors: pre-drill Arm & Top Pivot holes to prevent splitting.
9. If vertical adjustment is required two 1/16" shims are provided. Place shims between arm and spindle shoulder collar.
10. All dimensions are in inches (mm).



L180 TOP PIVOT

Door Mortised "A"

Deep for Arm	"A"
1/4 Threshold	1" (25.4)
1/2 Threshold	3/4 (19)



WITH THRESHOLD

**L147 Pivot Set
 3/4" Offset
 For Lead Lined Doors**



TEMPLATE NUMBER	REV	DATE
PS30350	3	01/22