

For door thickness not listed, use next smaller size.

Door Size	Dim. A	Dim. B	Max. Lead Thk.
1-3/4 (44.5)	1-1/4 (31.8)	1/4 (6.4)	9/32 (7.1)
2" (50.8)	1-3/8 (34.9)	5/16 (7.9)	3/8 (9.5)
2-1/4 (57.2)	1-1/2 (38.1)	3/8 (9.5)	15/32 (11.9)
2-1/2 (63.5)	1-5/8 (41.3)	7/16 (11)	9/16 (14.3)
3" (76.2)	2" (50.8)	1/2 (12.7)	3/4 (19)

1. Arm drilled to receive 1/4-20 x 1" FHMS or #14 x 2" FHWS.
2. For Wood Doors: pre-drill Arm & Top Pivot holes to prevent splitting.
3. If vertical adjustment is required two 1/16" shims are provided. Place shims between arm and spindle shoulder collar.

Notes:

1. Do not scale drawing.
2. Right hand shown.
3. Suitable reinforcing by others.
4. Leadlining by others.
5. Maximum weight limitation is 800 lbs.
6. All dimensions are in inches (mm).

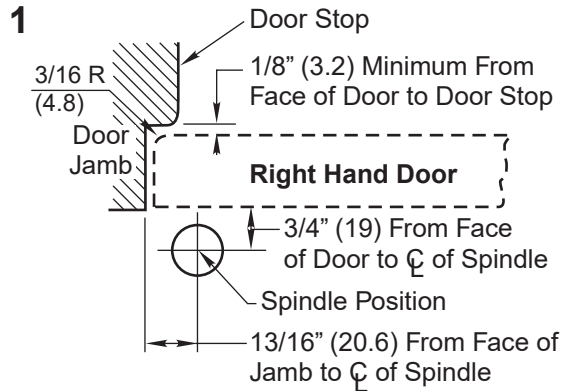
L147 Pivot Set for Lead Lined Doors 3/4" Offset, Handed

RIXSON
ASSA ABLOY

www.rixson.com

TEMPLATE NUMBER	DATE	DATE
IS-L147	2	05-24

L147 Pivot Set

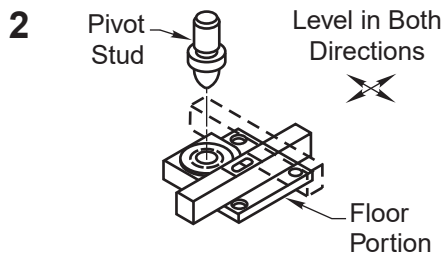


1. Install Pivot

- Measure 13/16" (20.6) out from door jamb.
- Allow 1/8" (3.2) min. clearance from door stop to door face. Measure door thickness. Add 3/4" (19).
- Where lines meet determines center line of closer.

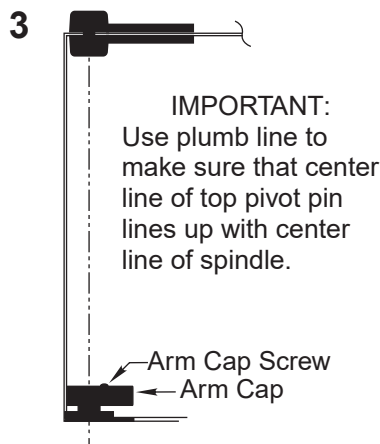
2. Set Pivot Set

- Prepare floor to receive floor portion. SET ANCHORS PROVIDED SECURELY IN FLOOR.
- Important:** Floor portion must be level. Level in both directions per illustration.
- Floor portion should be parallel with center line of door.
- Insert pivot stud in floor portion.



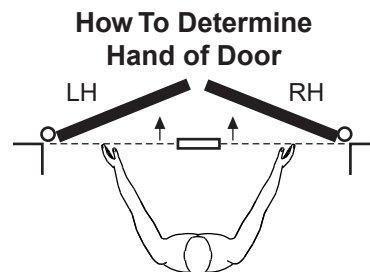
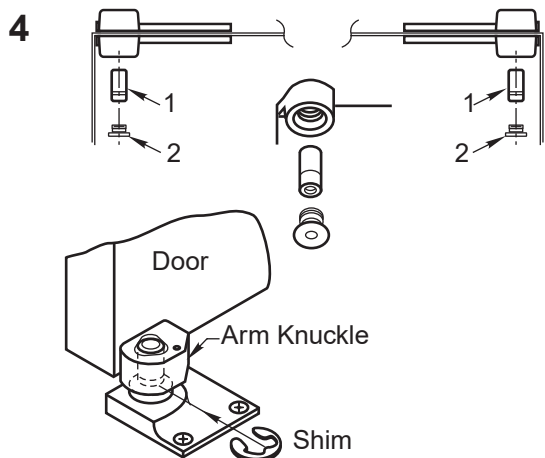
3. Install Top Pivot & Bottom Arm

- Install top pivot in door per template.
- Install top pivot in frame per template.
- Install arm in door per template.
- Center line of pivot should line up with center line of spindle. Use plumb line as illustrated.
- If side jamb pivot is used, see required template.



4. Hang Door

- Set door on pivot set spindle.
- Push Item 1 "top pivot pin" into place. Attach "cap" Item 2. CAP MUST BE TIGHTENED SECURELY.
- See Installation Instructions for ML19 Intermediate Pivot.
- If door drags at floor (or threshold, if used) loosen arm locking screw and raise door to desired clearance and insert one or more 1/16" (1.6) shims. Retighten arm locking screw securely.
- Put arm cap on arm and secure tightly with cap screw furnished.



Face a door swinging open away from you. If it opens to the right, it is right hand. If it opens to the left, it is left hand.

**L147 Pivot Set for Lead Lined Doors
3/4" Offset, Handed**

RIXSON
ASSA ABLOY

www.rixon.com

TEMPLATE NUMBER

IS-L147

DATE

2

DATE

05-24