

# Legacy Friction Hold Open Arm Installation Instructions

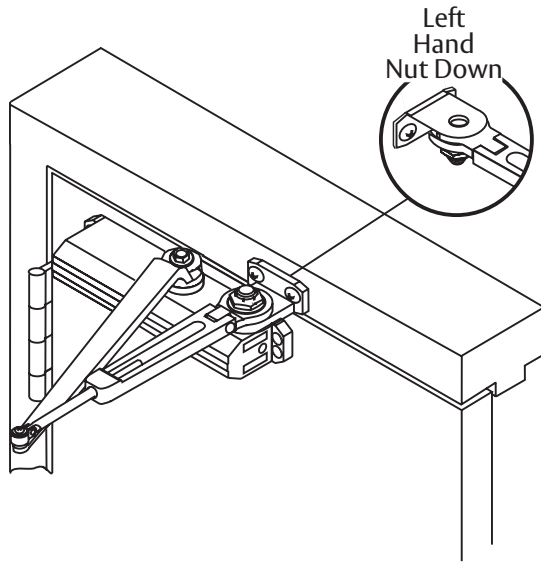
**ASSA ABLOY**

The global leader in  
door opening solutions

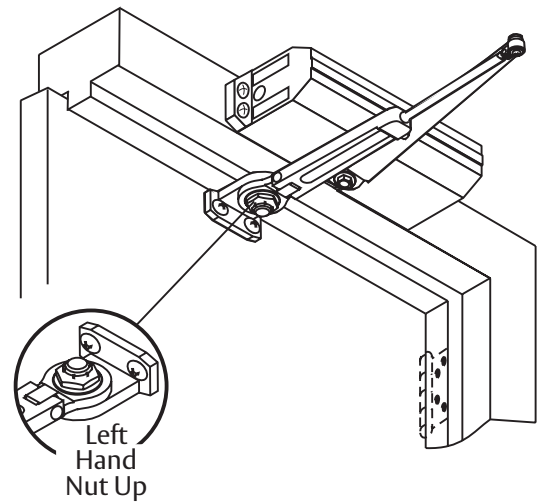
## **WARNING**

This product can expose you to lead which is known to the state of California to cause cancer and birth defects or other reproductive harm. For more information go to [www.P65warnings.ca.gov](http://www.P65warnings.ca.gov).

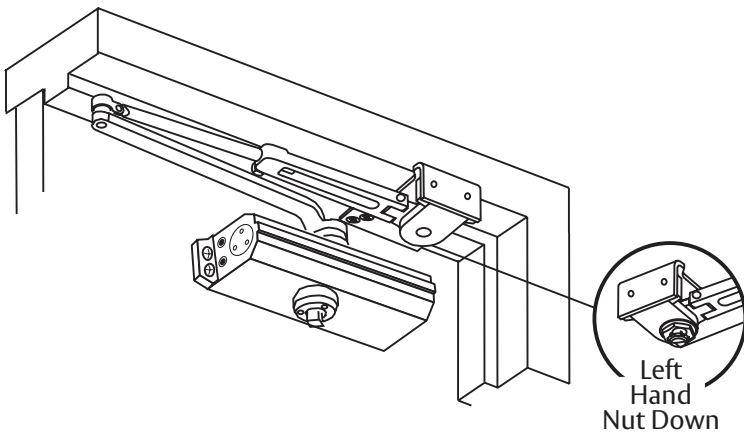
**NOTE: Closer shown for reference only. Your closer model may differ.**



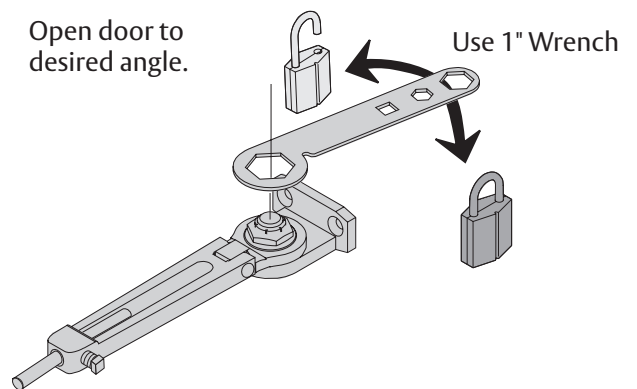
**Regular Arm (Right Hand Shown)**



**Top Jamb Mount (Right Hand Shown)**



**Parallel Arm (Right Hand Shown)**



**To Set Hold Open**

[www.nortondoorcontrols.com](http://www.nortondoorcontrols.com)

Norton Technical Product Support:  
Monroe, NC 28112 USA  
Phone: 800.438.1951 ext: 6030  
[TechSupport.Norton@assaabloy.com](mailto:TechSupport.Norton@assaabloy.com)

Copyright © 2018, ASSA ABLOY Accessories and Door Controls Group, Inc. All rights reserved. Reproduction in whole or in part without the express written permission of ASSA ABLOY Accessories and Door Controls Group, Inc. is prohibited.

**Approved 2023-10-24**

80-9300-0003-000 Rev 1 12/18