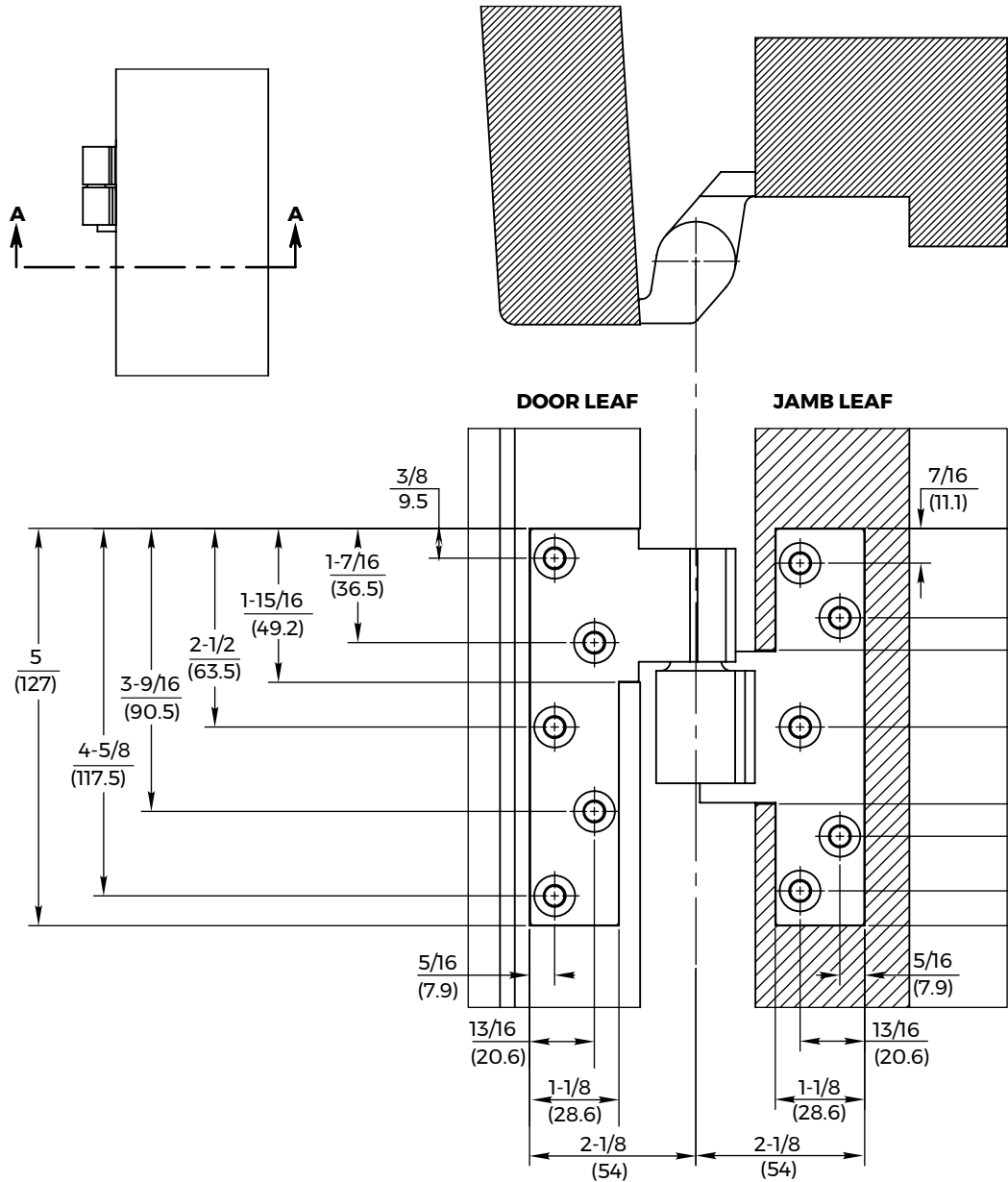
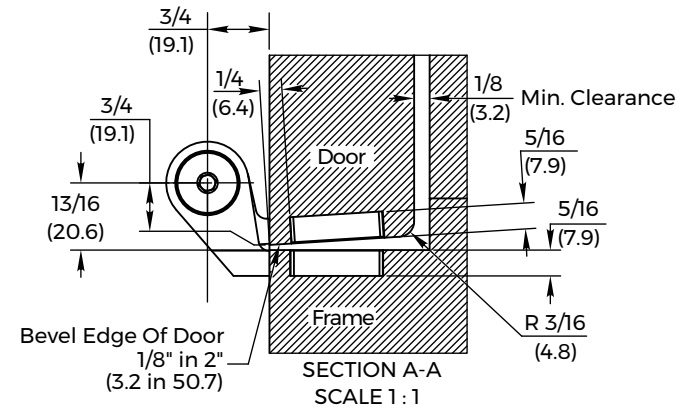


VIEW FROM BOTTOM OF DOOR LOOKING UP



NOTES:

1. Do not scale drawing.
2. Dimensions are given in inches (mm).
3. Pivot drilled for 1/4-20 x 5/8" FHMS or #14 x 1-1/2" FHWS.
4. Right hand shown. Left hand opposite.

M19, FM19, M190, FM190 Intermediate Pivot
3/4" Offset Hung



TEMPLATE NUMBER	REV	DATE
IP50050	4	05/24