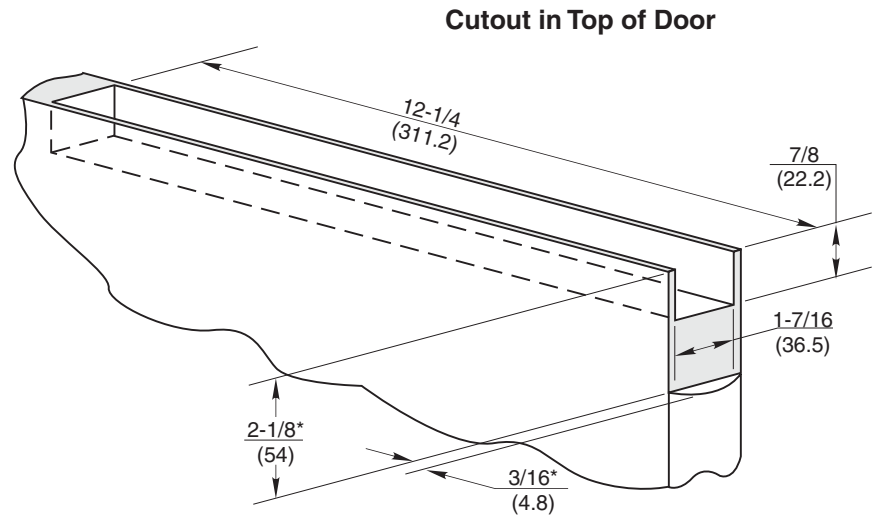
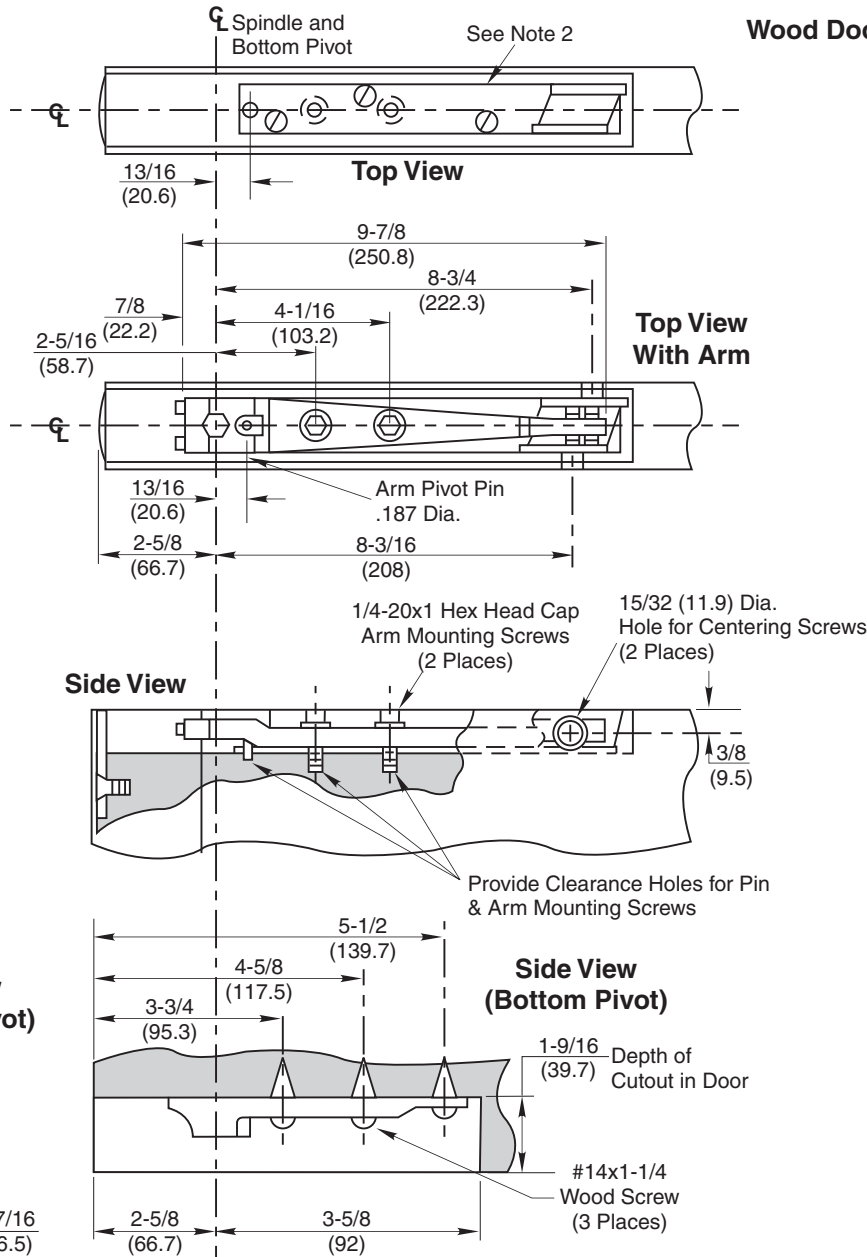


**Wood Door Installation**



\* Mortise only when end cap is specified. See Note 3.

**NOTES:**

1. Do not scale drawing.
2. Arm plate used with arm on wood doors. Attach with #14x1-1/4" FHWS.
3. No. 199 door end caps optional extra; mortise for top and bottom of door is identical.
4. Door radius recommended is 2-5/8" (66.7).
5. All dimensions given in inches (mm).

**MW608 Series  
 Overhead Concealed Door Closer  
 Center Pivot**



**ASSA ABLOY**

TEMPLATE NUMBER	REV	DATE
<b>OC60440A</b>	<b>3</b>	<b>01/22</b>