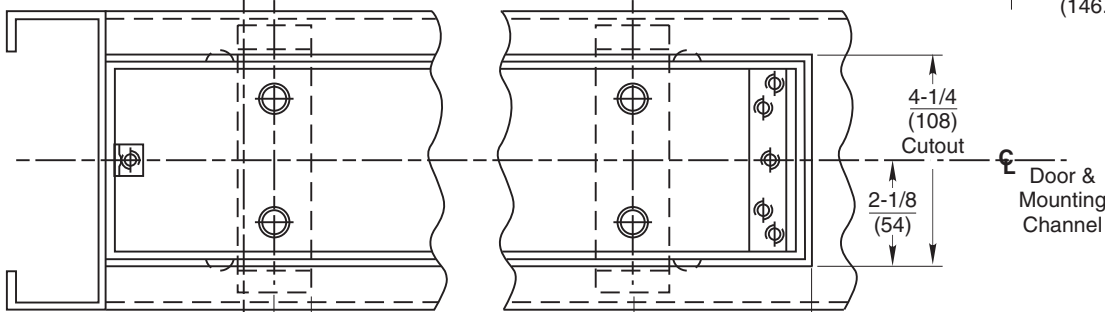
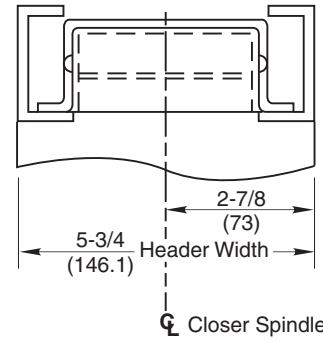
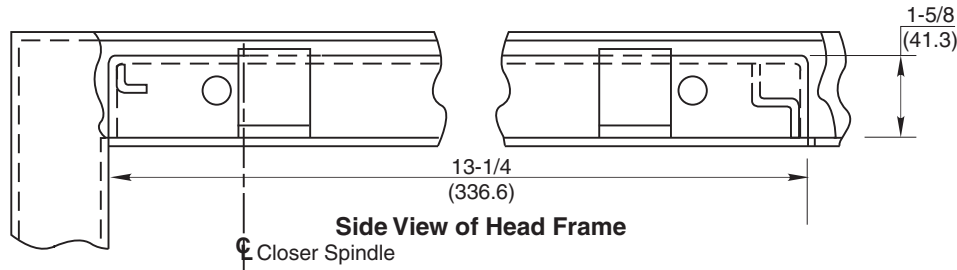


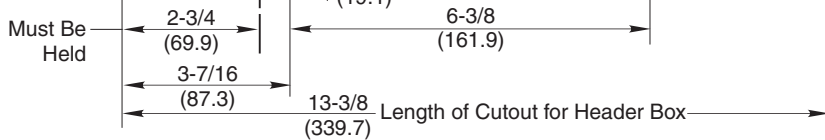
Hollow Metal Jamb Installation

NOTES:

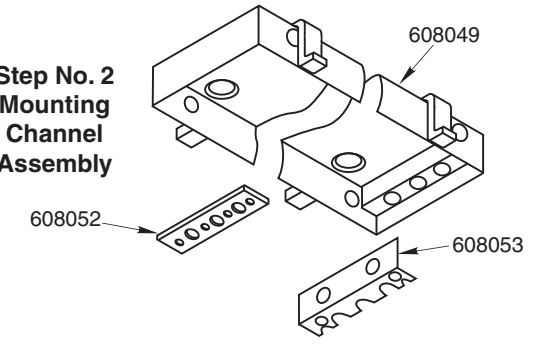
1. Do not scale drawing.
2. 2" (50.8) x 5-1/2" (139.7) minimum width head frame.
3. Single acting operation requires a door stop on the underside of frame.
4. All dimensions given in inches (mm).



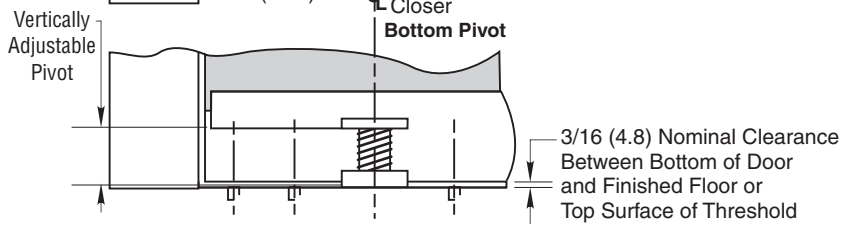
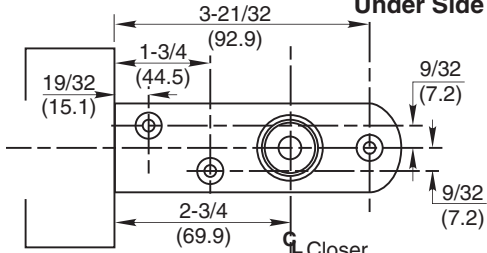
**Step No. 3
Head Frame
Installation**



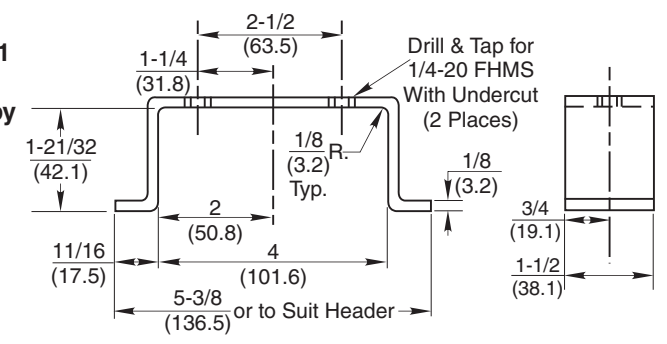
**Step No. 2
Mounting
Channel
Assembly**



Under Side of Head Frame



**Step No. 1
Bracket
(2 Req'd. by
Others)**



**MW608 Series
Overhead Concealed Door Closer
Center Pivot**



TEMPLATE NUMBER	REV	DATE
OC60440B	3	01/22