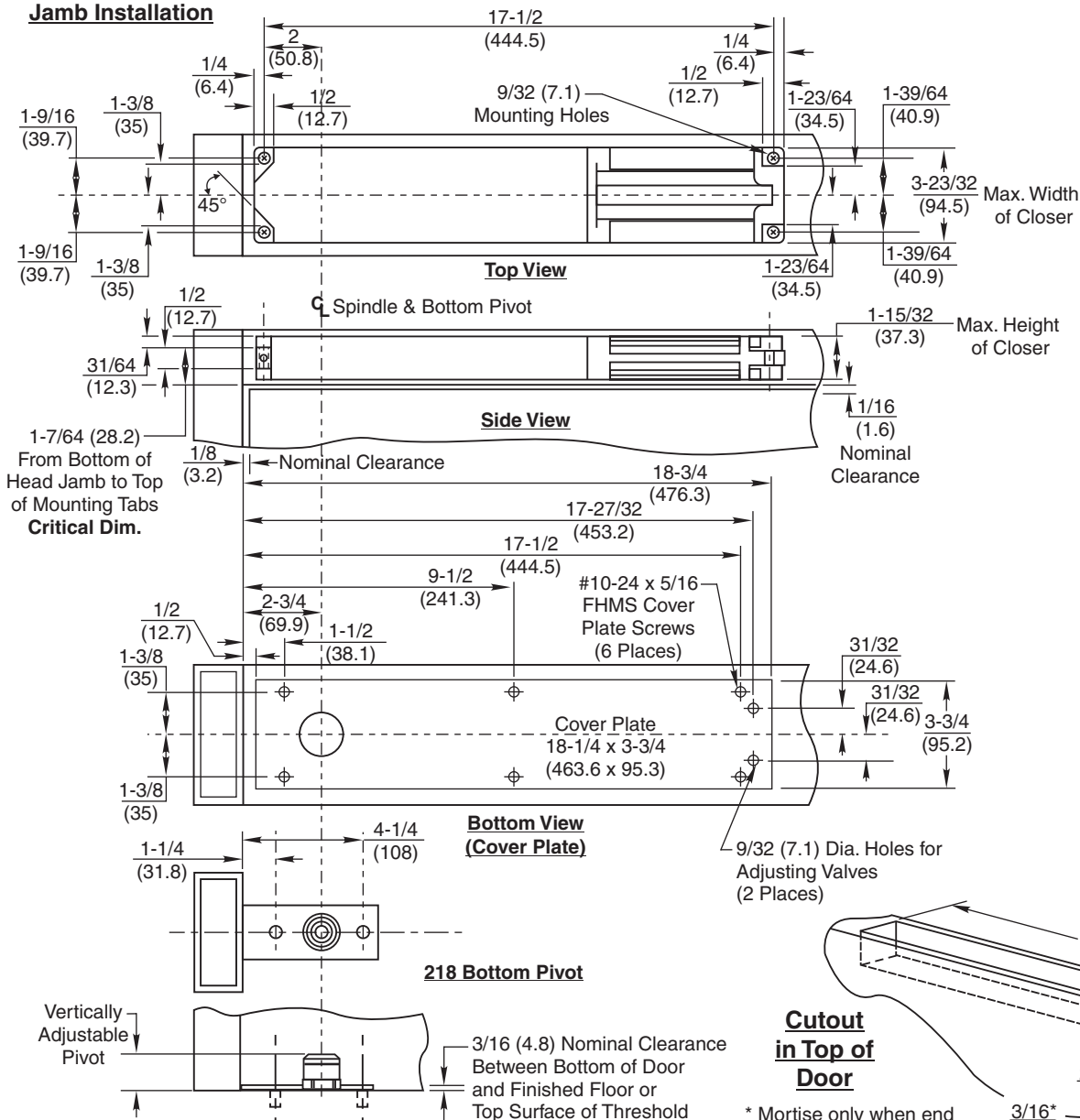
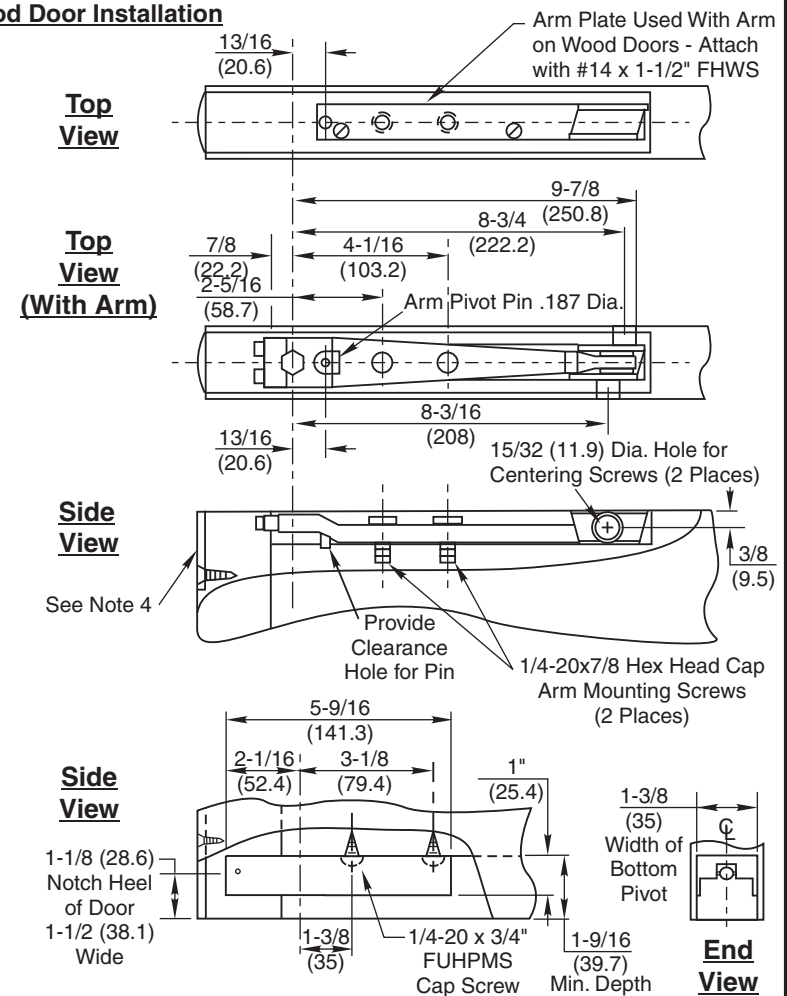


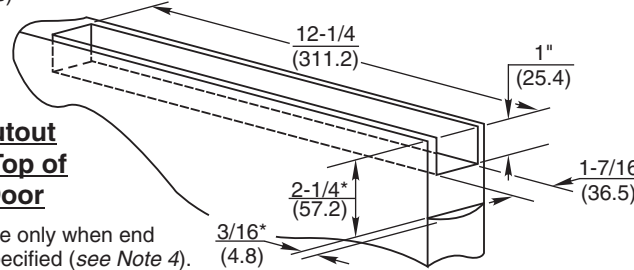
### Jamb Installation



### Wood Door Installation



- NOTES:**
1. Do not scale drawing.
  2. For #192 Closer Mounting Channel detail see OC60110B.
  3. Single acting operation requires a door stop on the underside of frame.
  4. #199 door end cap optional extra. (Mortise for top and bottom of door is identical.)
  5. Door radius recommended is 2-5/8" (66.7).
  6. All dimensions given in inches (mm).



## MW700 Single Acting & MW800 Double Acting Overhead Concealed Door Closer Center Hung for Wood Doors and Metal Frames

**RIXSON**

**ASSA ABLOY**

www.rixson.com

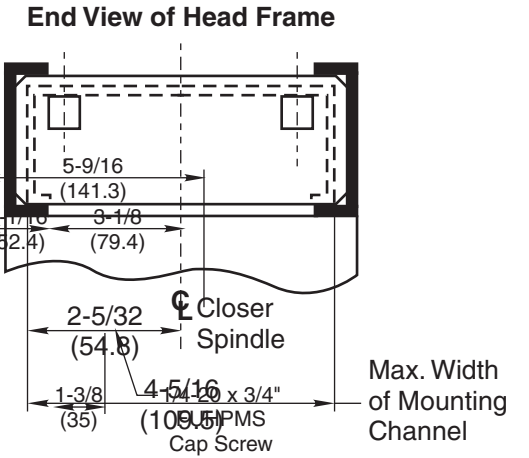
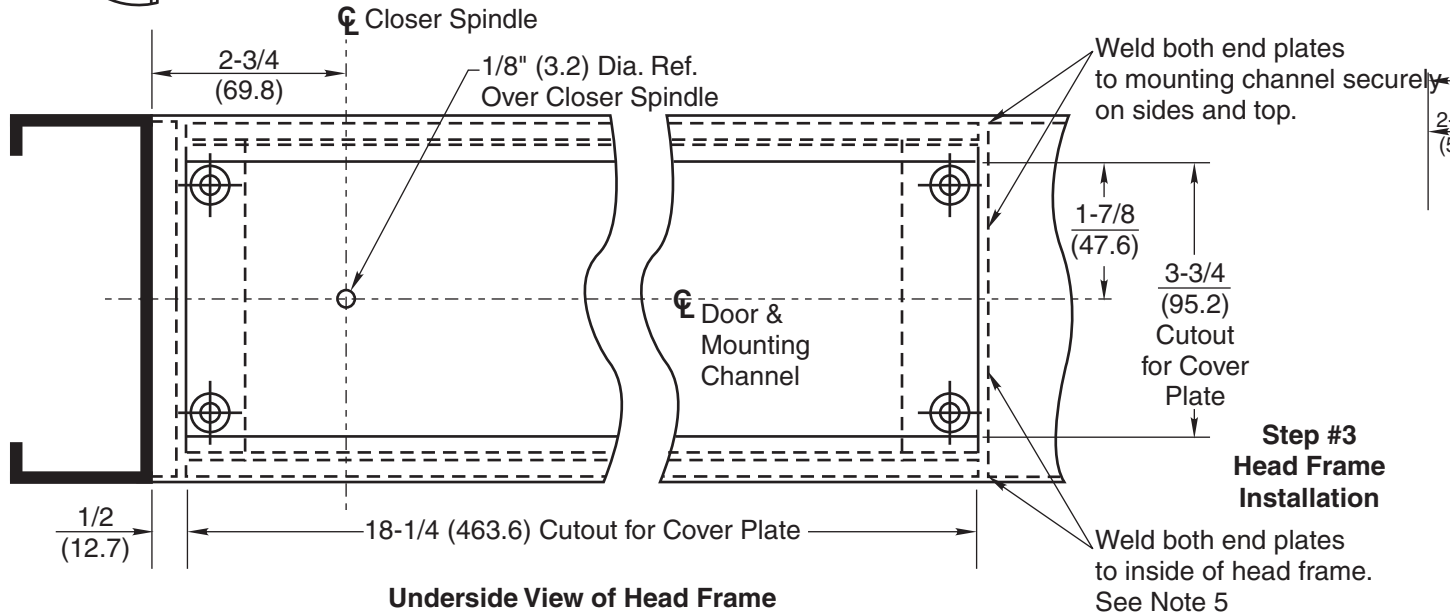
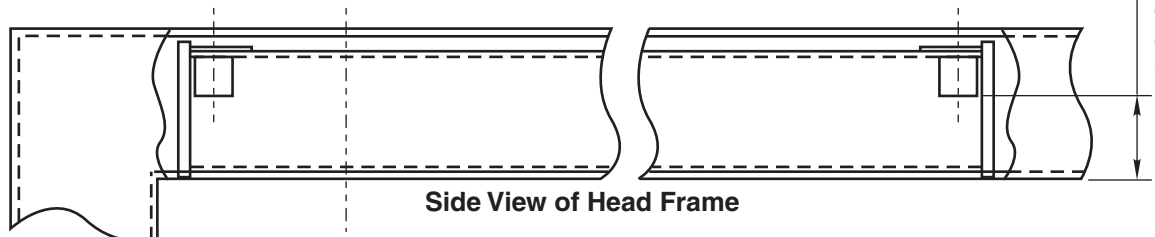
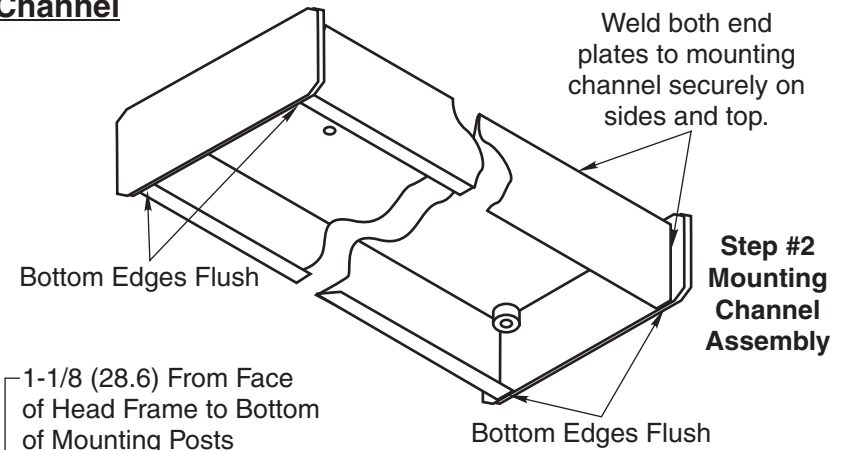
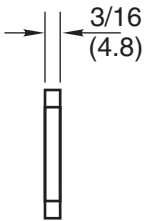
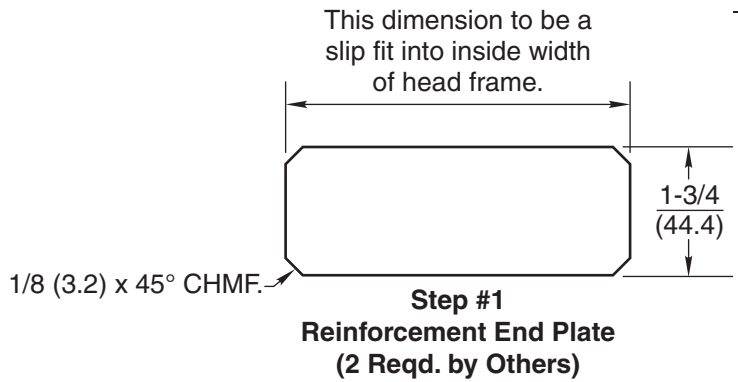
TEMPLATE NUMBER

**OC60110**

DATE

**05-16**

### 192 Hollow Metal Mounting Channel Center Hung



- NOTES:**
1. Do not scale drawing.
  2. Right hand door shown.
  3. Minimum width head frame 2" x 5-1/2" (50.8 x 139.7) 16 ga. max.
  4. All dimensions given in inches (mm).
  5. Channel must be installed prior to jobsite installation of frame.

## MW700 Single Acting & MW800 Double Acting Overhead Concealed Door Closer Center Hung for Wood Doors and Metal Frames

**RIXSON**  
ASSA ABLOY  
www.rixson.com

TEMPLATE NUMBER	DATE
<b>OC60110</b>	<b>05-16</b>