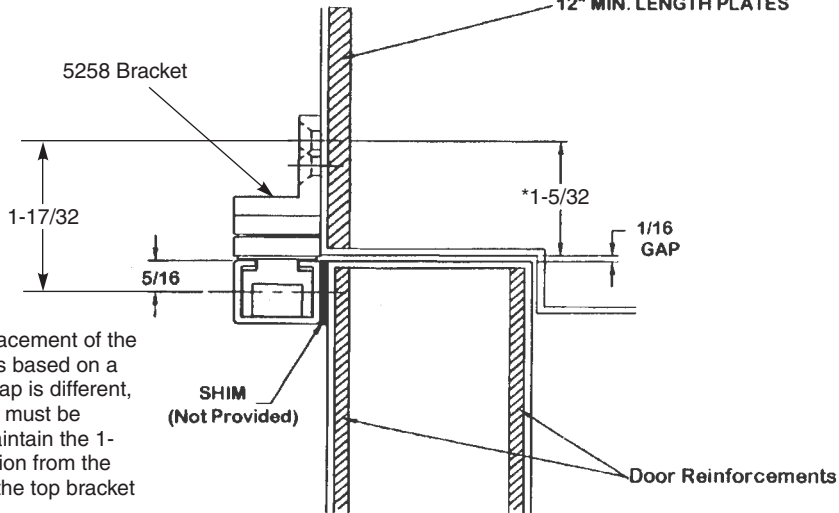
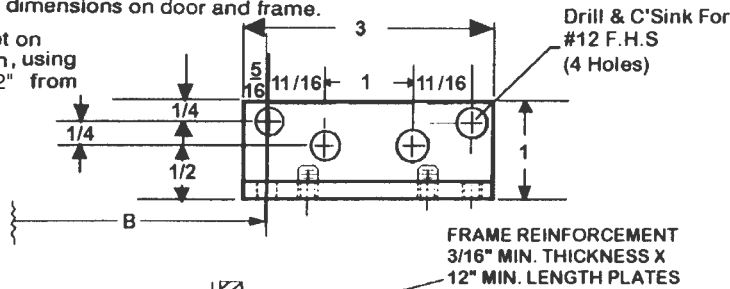


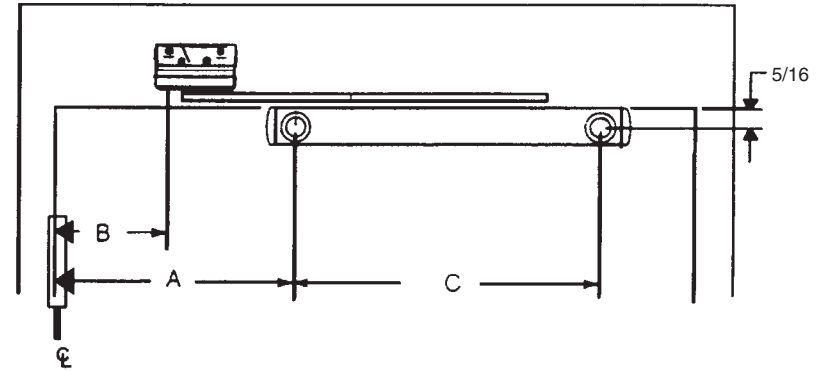
**INSTALLATION INSTRUCTIONS**

1. Select door size and product required from chart on opposite side of page.
2. Locate "A" and "B" dimensions on door and frame.
3. Install angle bracket on front face as shown, using "B" dim. and 1-5/32" from jamb to top hole in bracket.



\* Note:  
 The vertical placement of the 5258 bracket is based on a 1/16" gap. If gap is different, this dimension must be modified to maintain the 1-17/32" dimension from the track holes to the top bracket holes shown.

4. Install channel on door with "A" dimension and 5/16" from top of door. Locate "C" dimension sex bolt hole making sure that channel is horizontal and parallel with top edge of door. Drill 5/16 dia. sex bolt hole and finish installing holder. Install jamb bracket to angle bracket.

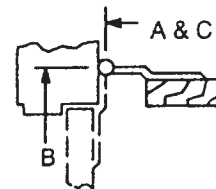


**NOTES:**

- All hollow metal doors and frames should be properly reinforced with 3/16" min. thickness x 12" min. length reinforcement plates.
- All hollow metal doors should be reinforced with 2-1/2" wide x 3/16" min. thick x full width of door reinforcement plates.
- All drilling and tapping to be done by field men.
- Suggest mounting door stop or holder first and then other hardware to clear. Contact factory if interference results with other hardware.
- Right hand shown left hand opposite. (Note hole pattern in jamb bracket.)
- All dimensions are given in inches.

**CAUTION:**

Note location of swing clear hinge centerline to determine "A and "B" dimensions.



**Screw Details**

Jamb	Door
#12 X 1-1/2" FHPMS	#12-24 X 1-1/2" FHPMS X NUL
#12-24 X 5/8" FHPMS	12-24 Sex Bolt for 1-3/4" Dr

**No. 10 Series x 5258 Bracket  
 Angle Bracket Surface Mount on Pull Side of Door  
 Door Stops & Holders**



TEMPLATE NUMBER	SHEET	REV	DATE
OH80067A	1 of 2	4	02/22

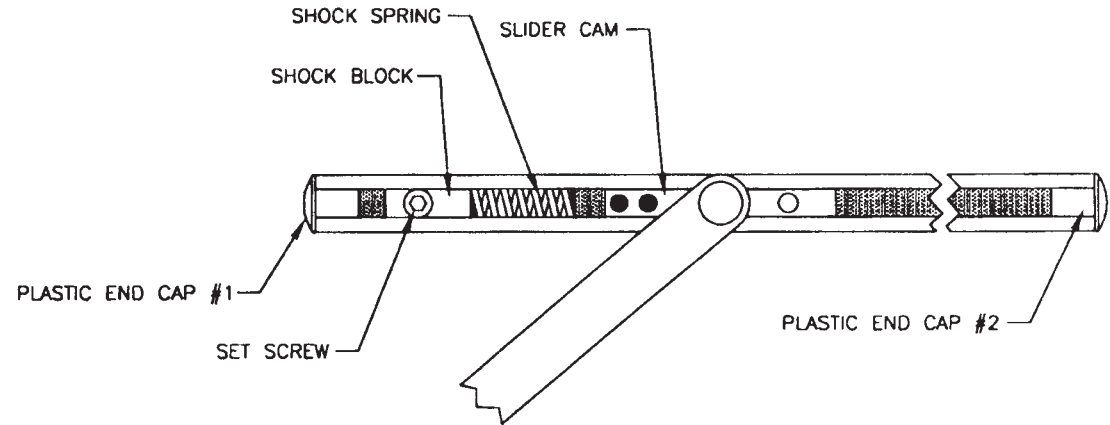
**No. 10 Series Surface Mounted Door Stops and Holders**

1. See other side for installation instructions.
2. Select proper dimensions noted below.
3. Add 5/8" to "A" dimension for dead stop.
4. All dimensions given in inches.

**When Using Center Hung Pivots, Check Pivot Manufacturer's Compatibility Prior to Specifying**

\* Butt mounting only.  
Reversible, non-handed.

	Device Number				Degree			
	Fric-tion	H.O.	Stop	Multi	Door Opening	A	B	C
<b>1 3/4 - 2 1/4 Butts &amp; 3/4 Offset Pivot</b>	10-116	10-126	10-136	10-146	*18-24	1 3/16	3 9/16	14 13/16
	10-216	10-226	10-236	10-246	24 1/16 - 30	3 3/4	4 3/16	16
	10-316	10-326	10-336	10-346	30 1/16 - 36	6 9/16	5 3/8	17 3/4
	10-416	10-426	10-436	10-446	36 1/16 - 42	9 13/16	7 1/16	20 3/16
	10-516	10-526	10-536	10-546	42 1/16 - 48	13 3/4	8 5/16	22
<b>Center Hung</b>	Device Number				Degree			
	Fric-tion	H.O.	Stop	Multi	Door Opening	A	B	C
	10-116	10-126	10-136	10-146	21 - 26 1/2	1 5/8	4	14 13/16
	10-216	10-226	10-236	10-246	26 9/16 - 32	4 7/16	4 7/8	16
	10-316	10-326	10-336	10-346	32 1/16 - 38	7 3/16	6	17 3/4
	10-416	10-426	10-436	10-446	38 1/16 - 45	10 3/8	7 5/8	20 3/16



**TO SELECT DEGREE OF STOP**

1. With a 3/16 hex key wrench, loosen the set screw in the shock block.
2. Open door to desired degree of opening.
3. Slide shock block and spring until the spring touches slider cam.
4. Tighten set screw.
5. Verify door opening position and re-adjust, as needed.

**No. 10 Series x 5258 Bracket  
 Angle Bracket Surface Mount on Pull Side of Door  
 Door Stops & Holders**



TEMPLATE NUMBER	SHEET	REV	DATE
<b>OH80067B</b>	<b>2 of 2</b>	<b>4</b>	<b>02/22</b>