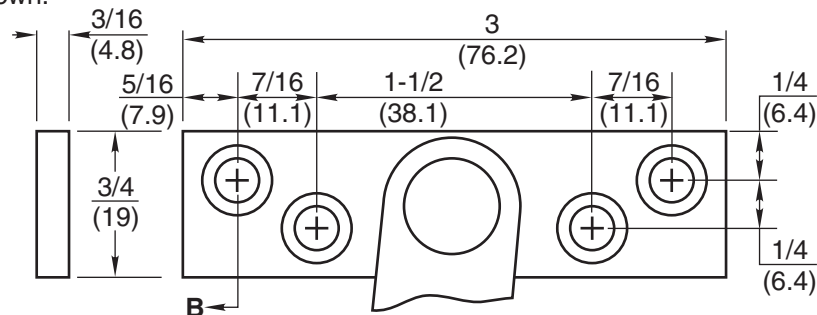


2. Locate "B" dimension on frame and mortise 7/16" (11) deep for jamb bracket as shown.



3. Locate "A" and "F" dimensions on centerline of frame and mortise 13/16" wide x 7/8" deep (20.6 x 22.2) for channel, 1/16" (1.6) head clearance shown. Coordinate the arm and rail cutout dimensions if head clearance varies.

4. Locate "C" and "E" dimensions on top of door and mortise 1/4" (6.4) deep as shown for arm clearance.

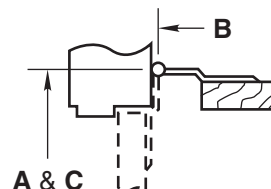
5. Install door stop or holder with screws provided.

Notes:

- All hollow metal frames are to be provided with 3/16" (4.8) min. thickness x 12" (304.8) min. length reinforcement plates.
- All hollow metal doors are to have minimum 3/16" reinforcement plates.
- If dead stop is required add 5/8" (15.8) to "A" dimension as noted on opposite side of page.
- A, B and C dimensions are measured from centerline of pivot, not edge of door.
- Reversible, non-handed.
- All dimensions are given in inches (mm).

Caution:

Note location of swing clear hinge centerline to determine "A" and "B" dimensions.



Screw Details	
Jamb	Door
#12-24 x 1/2" FHMS or #12 x 1-1/2" FHWS	#12-24 x 1-1/2" FHMS or #12 x 1-1/2" FHWS

INSTALLATION INSTRUCTIONS

1. Select proper dimensions from chart on opposite side of page.

NOTE: Add 5/8" (15.8) to "A" dimension for dead stop.

**No. 5 Series Inverted Non Adjustable
 Concealed Door Stops and Holders**



TEMPLATE NUMBER	SHEET	REV	DATE
OH80022A	1 of 2	2	01/22

No. 5 Series Concealed Door Stops and Holders

1. See other side for installation instructions.
2. Select proper dimensions noted below.
3. Add 5/8" to "A" dimension for dead stop.
4. All dimensions given in inches.

When Using Center Hung Pivots, Check Pivot
Manufacturer's Compatibility Prior to Specifying

* Butt mounting only.
Reversible, non-handed.

Metric = decimal (numerator divided by denominator) x 25.4.

	Device Number		Degree	85° H.O.				90° H.O.				95° H.O.				100° H.O.				105° H.O.				110° H.O.				
	H.O.	Stop	Door Opening	A	B	C	E	A	B	C	E	A	B	C	E	A	B	C	E	A	B	C	E	A	B	C	E	F
1-3/4 - 2-1/4 (44.5 - 57.2) Butts & 3/4 (19) Offset Pivot	5-126	5-136	*18 - 24	2-1/2	4-5/16	3-7/16	13-5/8	1-7/8	4-5/16	3	13-5/8	1-5/8	3-5/8	1-7/8	13-5/8	2-5/8	3	1	13-5/8	2-1/4	3	1	13-5/8	3-1/16	2	7/8	13-5/8	14-3/4
	5-226	5-236	24-1/16 - 30	7-15/16	5-1/4	4-1/2	14-7/8	7-13/16	4-5/8	4	14-7/8	6-3/8	5-1/2	4-3/4	14-7/8	6-1/4	5	4-1/4	14-7/8	5-11/16	5	4	14-7/8	6	4-1/4	3-7/8	14-7/8	15-7/8
	5-326	5-336	30-1/16 - 36	11-1/16	6-15/16	6-3/16	18-3/4	10-1/4	6-15/16	6-3/16	18-3/4	9-1/2	6-15/16	6-3/16	18-3/4	8-3/4	6-7/8	6-1/8	18-3/4	8-3/8	6-1/2	5-1/2	18-3/4	8-3/8	6	5	18-3/4	17-11/16
	5-426	5-436	36-1/16 - 42	14-3/4	8-15/16	8-3/16	22-1/8	13-3/4	8-15/16	8-3/16	22-1/8	12-7/8	8-15/16	8-3/16	22-1/8	11-15/16	8-7/8	8-1/8	22-1/8	11-15/16	8	7-1/4	22-1/8	11-1/44	8	7-1/4	22-1/8	20-3/16
	5-526	5-536	42-1/16 - 48	19-1/16	10-7/8	10	27-1/8	18-9/16	9-7/8	9	27-1/8	18-9/16	8-3/8	7-1/4	27-1/8	17-13/16	8-1/8	7-1/4	27-1/8	17	8-1/8	7-1/4	27-1/8	16-1/4	8-1/8	7-1/4	27-1/8	21-15/16

No. 5 Series Inverted Non Adjustable Concealed Door Stops and Holders



ASSA ABLOY

TEMPLATE NUMBER	SHEET	REV	DATE
OH80022B	2 of 2	2	01/22

Approved 2022-05-02