

HAND: To change the hand of the holder, remove screws at "G" and reverse arms. Be sure screws are tight after reassembling.

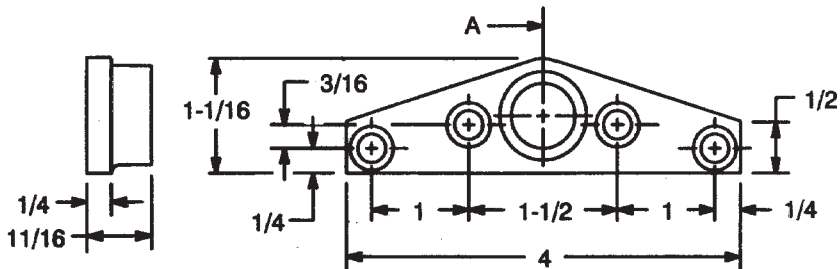
HOLD OPEN: Turn thumbpiece perpendicular to door bracket for hold open and parallel to door bracket for stop only.

NOTES:

- All hollow metal doors and frames should be properly reinforced with 3/16" min. thickness reinforcement plates.
- All drilling and tapping to be done by field men.
- All dimensions are given in inches.

INSTALLATION INSTRUCTIONS

1. Determine degree of hold open required. If door is 1-3/4" thick and 90° hold open is required, use chart on opposite side of page. For other door thicknesses, degrees up to and including 105° hold open and for means of hanging other than center hung and offset pivot, see note on back page.
2. Install jamb bracket on stop strip as noted above and on Template No. OH80030B.



3. Locate door bracket on door as noted above. Thumb piece must be located towards door pivot. Install door bracket with mounting holes 13/16" down from stop strip as shown on opposite side of page.

| Screw Details | | | |
|---------------|------|---|--------------------|
| | Qty. | Wood | Metal |
| Jamb | 4 | #12 x 1-1/2" FHWS | #12-24 x 5/8" FHMS |
| Door | 4 | #12-24 x 2-1/4" FHMS Washer and Acorn Nut | |

Sex bolts can be furnished for door bracket upon request.

**No. 7 Series
 Concealed Door Stops & Holders**



ASSA ABLOY

| | | | |
|-----------------|---------------|----------|--------------|
| TEMPLATE NUMBER | SHEET | REV | DATE |
| OH80030A | 1 of 2 | 3 | 01/22 |

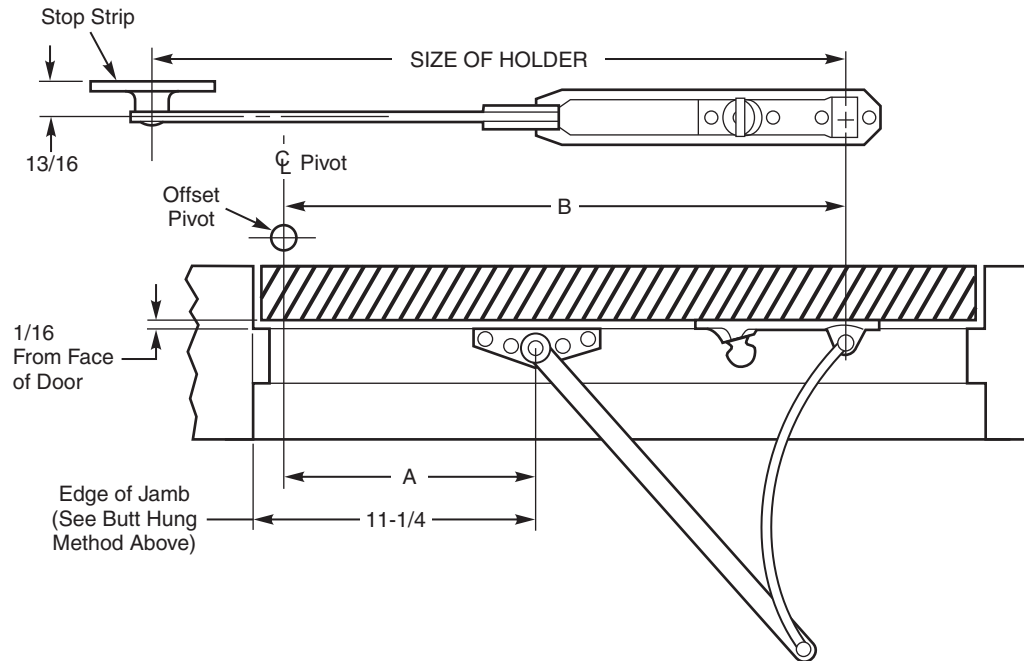
No. 7 Series Surface Mounted Door Stops and Holders

1. See other side for installation instructions.
2. Select proper dimensions noted below.
3. All drilling and tapping to be done by field men.
4. All dimensions given in inches.

For single acting doors only.
 Reversible, non-handed.

| Door Opening | Holder and Stop | Size of Holder | 3/4" Offset Pivot | | Center Hung | | Butt Hung |
|--------------|-----------------|----------------|-------------------|---------|----------------|--------|---|
| | | | A | B | A | B | |
| Under 24 | | Spec. | -- | -- | -- | -- | Locate centerline of jamb bracket 11-1/4" from hinge jamb. Open door to desired degree and locate door bracket on door. |
| 24 - 26 | 7-126 | 23 | 8-1/2 | 18-5/8 | Special Holder | | |
| 26-1/16 - 30 | 7-126 | 23 | 10-1/2 | 18-7/16 | 9-1/4 | 20 | |
| 30-1/16 - 34 | 7-226 | 27 | 10-1/2 | 22-1/16 | 9-1/4 | 23-5/8 | |
| 34-1/16 - 39 | 7-326 | 31 | 10-1/2 | 26-1/8 | 9-1/4 | 27-3/4 | |
| 39-1/16 - 48 | 7-426 | 36 | 10-1/2 | 31 | 9-1/4 | 32-5/8 | |

For 90° hold open on 1-3/4" thick doors only.
 For doors other than 1-3/4" thick, 90° hold open or 3/4" offset pivots use butt hung method.



**No. 7 Series
 Concealed Door Stops & Holders**



| | | | |
|-----------------|---------------|----------|--------------|
| TEMPLATE NUMBER | SHEET | REV | DATE |
| OH80030B | 2 of 2 | 3 | 01/22 |

Approved 2022-05-02