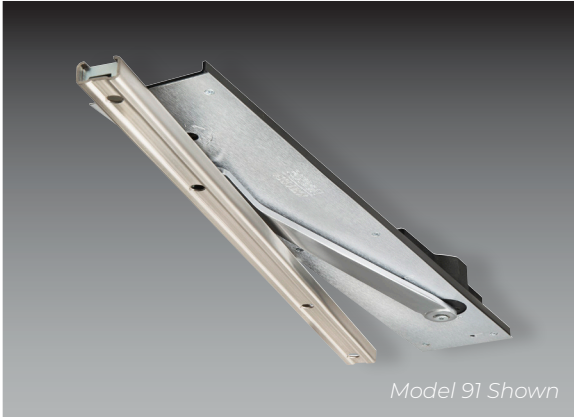


OVERHEAD CONCEALED FOR HIGH-END APPLICATIONS





INTRODUCTION

Norton Rixson Overhead Concealed Closers offer an aesthetically appealing way to close a door. In situations where a closer is needed but concealment is required, Norton Rixson offers several different series to meet your application demands. Concealed for minimal appearance, these offset hung or center hung (single or double acting) door closers provide control without sacrificing the aesthetics of the opening.

Models	Architectural Grade	Commodity Grade	Offset Hung	Center Hung	Single Acting	Double Acting	Handed	ADA Compliant Model Available	Grade 1 Certified	Door Weight
91	•		•		•		•	•	•	250 lbs
93	•			•	•		•	•	•	250 lbs
73	•			•		•		•	•	250 lbs
700	•			•	•		•			200 lbs
800	•			•		•				200 lbs
0608		•	•		•					200 lbs
608		•		•	•	•				200 lbs
7900	•				•		•			200 lbs
61		•		•	•					175 lbs (weight carried by hinges)

TABLE OF CONTENTS

[General Information](#)3

[91](#)..... 4-5

[91 Parts List](#).....6-7

[93](#)..... 8-9

[93 Parts List](#).....10-11

[73](#).....12-13

[73 Parts List](#)14-15

[700, 800](#)16-19

[700, 800 Parts List](#)20-23

[0608](#).....24-25

[0608 Parts List](#).....26-27

[608](#).....28-29

[608 Parts List](#).....30-33

[7900](#)34-36

[7900 Parts List](#).....37-38

[61](#).....39-40

GENERAL INFORMATION

OVERHEAD CONCEALED CLOSERS

GENERAL INFORMATION

Non-Hold Open closers do not hold the door open. This feature cannot be changed in the field on the 608, 700, or 800 series closers.

Hold Open closers hold the door open. This feature cannot be changed in the field on the 608, 700, or 800 series closers.

The degree of swing must be specified on some closers (refer to specific product pages for requirements).

When the door closer must be concealed above the ceiling or drywall, a longer or extended spindle is required. Regular and 1/2" extended spindles available for all models except 73 and 61. Closer adjustment valves must always be accessible.

End caps are used to cover the mortise edges for wood doors on center hung 608 and 700/800 models. Two 199 End Caps can be furnished; one for the top arm and one for the bottom pivot.

Mounting brackets or boxes for aluminum, wood or metal frames must be specified when ordering the 608 and 700/800 series.



ARCHITECTURAL GRADE/OFFSET HUNG OVERHEAD CONCEALED CLOSERS

MODEL 91

Application

- Exterior or interior doors
- Door weight up to 250 lbs.
- Maximum door size: exterior 4' x 8', interior 4'6" x 8'
- Can be used in aluminum, hollow metal or wood frames

Features

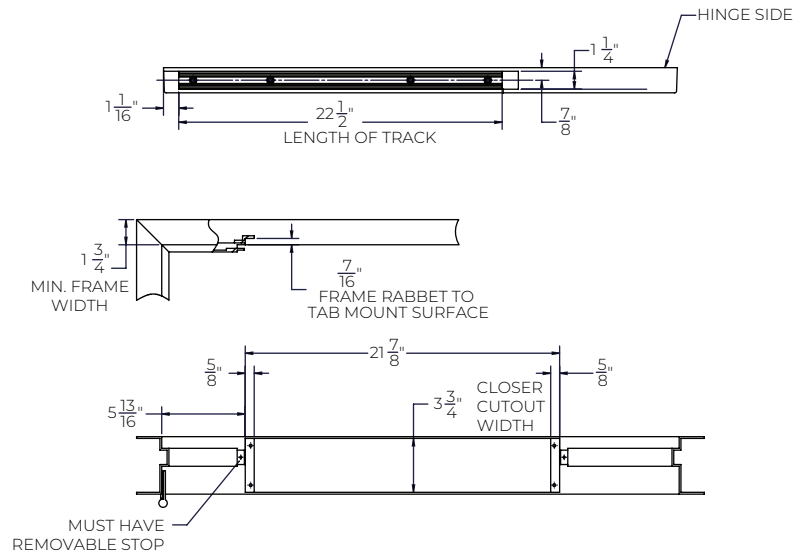
- Single acting, offset hung
- Heavy-duty cast iron closer body
- Forged arms
- Steel alloy track
- One-piece mounting plate
- Includes security track designed to eject foreign materials used to prevent a door from closing
- 1-1/4" piston diameter
- Dress cover plate included
- Adjustable spring 3-6 for larger doors or fire rated openings (specify 91)
- Adjustable spring 1-3 for lighter opening force (specify PH91 – ADA compliant)
- Handed
- Staked, brass adjusting valves
- Product shipped with all wood and all metal screws
- Separate and independent closing speed and latch speed valves
- Separate and independent hydraulic backcheck valve
- All weather fluid (accommodates a temperature range from - 40° to 150°F.)
- Hanging means by others. If products other than 3/4" offset pivots or 4-1/2" x 4-1/2" butt hinges are used, contact factory for special templating and pricing
- Hold open; can be achieved by adding hold open assembly to track. Specify 91H. (Standard hold open with pivot is 85°; 85°-105° with butt hinges)
- Extended spindle; 1/2" longer than standard closer spindle. Must be ordered as part of the closer; cannot be added later
- Minimum metal frame size 1-3/4" x 4"
- Direct replacement for LCN 2030
- 15 year limited warranty

Compliance

- ANSI/BHMA A156.4 Grade 1
- UL-cUL listed
- UL10C positive pressure: 3-hours for hollow metal doors, 1-1/2 hour for wood doors. (PH91 not recommended)
- PH91 meets requirements for Americans with Disabilities Act (ADA)



TECHNICAL INFO



Specifications

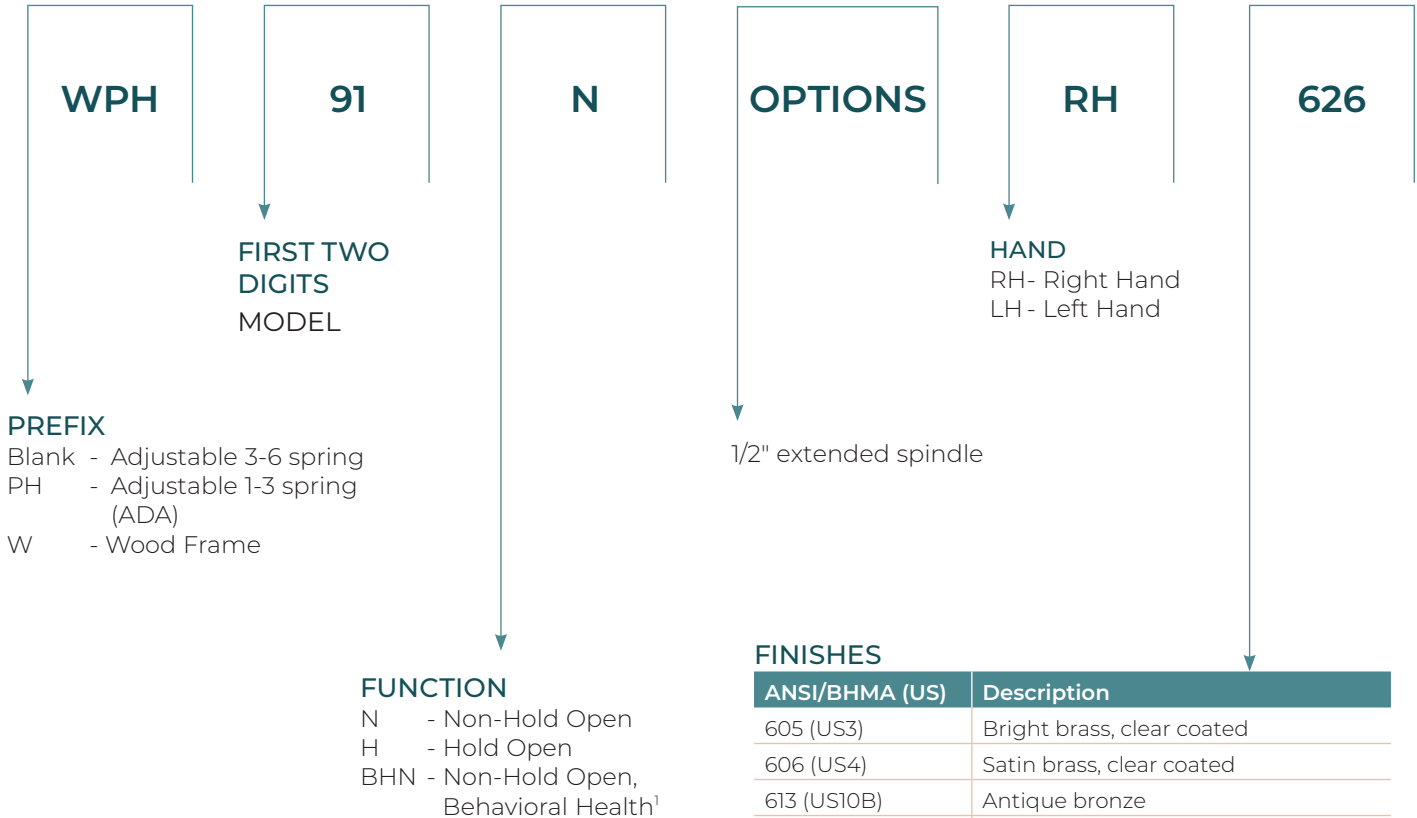
Model 91 shall be used for offset hung doors. Closer shall fit in a 1-3/4 x 4 aluminum tube. Closer shall have adjustable spring that complies to accessibility codes. Adjustable spring, backcheck, and closing speed valves must be accessible after door is installed. Where applicable, a hold open feature is achieved in the track. Closer shall be Grade 1 per ANSI/BHMA A156.4. Closer shall be fire rated UL10C for doors tested for overhead concealed products up to 3 hours.

ARCHITECTURAL GRADE/OFFSET HUNG

OVERHEAD CONCEALED CLOSERS

MODEL 91

HOW TO ORDER



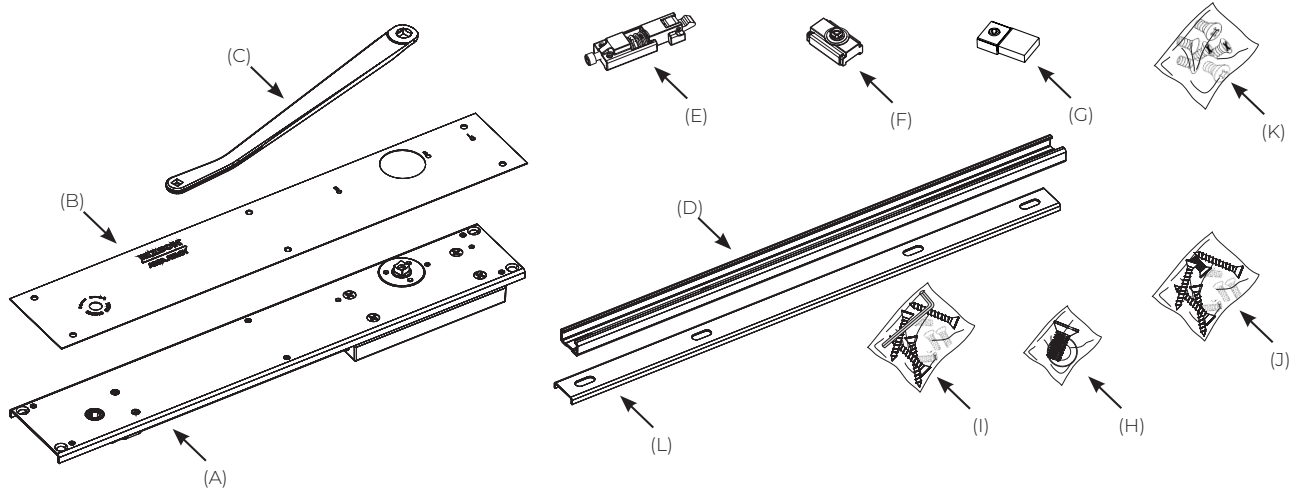
FINISHES

ANSI/BHMA (US)	Description
605 (US3)	Bright brass, clear coated
606 (US4)	Satin brass, clear coated
613 (US10B)	Antique bronze
613E (US10BE)	Dark oxidized satin bronze - equiv.
618 (US14)	Bright nickel plated, clear coated
619 (US15)	Satin nickel plated, clear coated
625 (US26)	Bright chrome plated over nickel
626 (US26D)	Satin chrome plated over nickel
689 (US28)	Aluminum, painted
690 (US20)	Dark bronze, painted
691 (US10)	Light bronze, painted
693	Black, painted
696 (US4)	Gold, painted
BSP	Black suede powder coat
WSP	White suede powder coat
600	SRI primer

Note: In corrosive conditions, SRI primer over powder coat finish is recommended. Specify finish x 600 when ordering. SRI is not available with plated finishes.

1. BH model includes a security track and Torx® security screws. Only available as non-hold open.

MODEL 91



Left hand shown
* Specify finish

PACKAGES

Right Hand Arm Package
90237-*PKG (includes 90237, 90283 and 90253)

Left Hand Arm Package
90236-*PKG (includes 90236, 90283 and 90253)

Non-Hold Open Track Assembly
90255-ASY (includes 90255, 90242 and 90239)

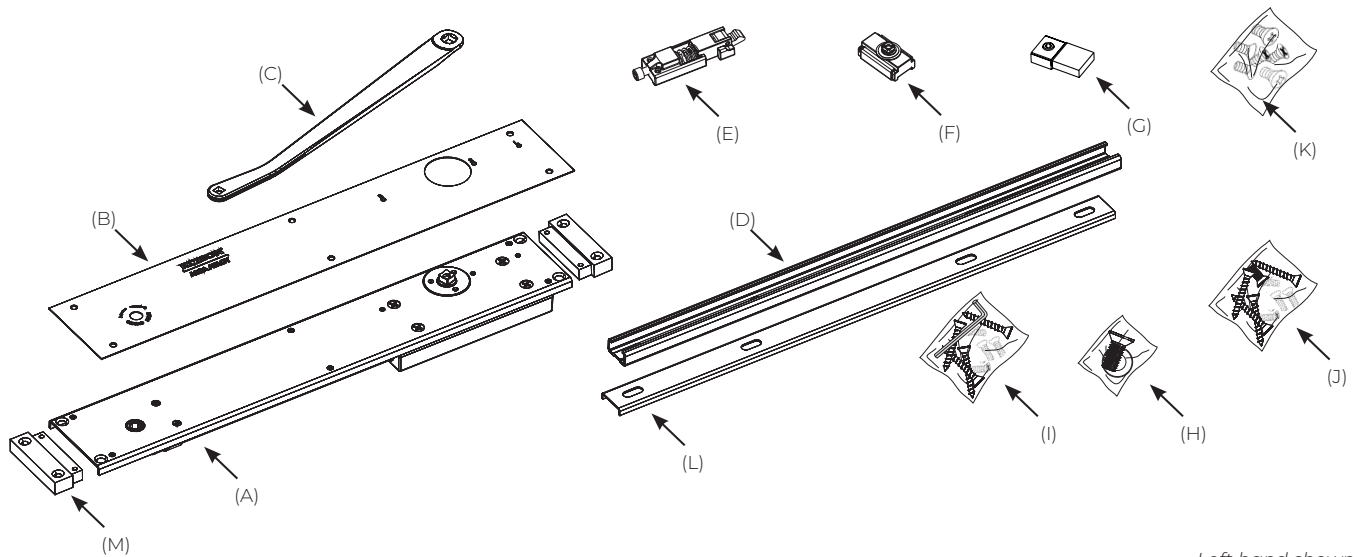
Hold Open Track Assembly
90254-ASY (includes 90254, 90242 and 90239)

- (A) Closer Body (Specify hand, function (NHO or HO), LAP (less all parts)
- (B) Cover Plate 90272-* (LH)
90275-* (RH)
- (C) Arm 90236-* (LH)
90237-* (RH)
- (D) Track 90239
- (E) Hold Open Assembly 90254
- (F) Slider 90253
- (G) Non-Hold Open Stop Block 90255
- (H) Arm Screw Pack 90283-*
- (I) Closer Screw Kit 90241-*
- (J) Track Screw Kit 90242
- (K) Cover Plate Screw Pack 90278-*
- (L) Optional Track Spacer for Retrofit Applications 90260

PARTS LIST

OVERHEAD CONCEALED CLOSERS

MODEL W91



Left hand shown
*Specify finish

PACKAGES

Right Hand Arm Package
90237-*PKG (includes 90237, 90283 and 90253)

Left Hand Arm Package
90236-*PKG (includes 90236, 90283 and 90253)

Non-Hold Open Track Assembly
90255-ASY (includes 90255, 90242 and 90239)

Hold Open Track Assembly
90254-ASY (includes 90254, 90242 and 90239)

- (A) Closer Body (Specify hand, function x LAP)
- (B) Cover Plate 90272-* (LH)
90275-* (RH)
- (C) Arm 90236-* (LH)
90237-* (RH)
- (D) Track 90239
- (E) Hold Open Assembly 90254
- (F) Slider 90253
- (G) Non-Hold Open Stop Block 90255
- (H) Arm Screw Kit 90283-*
- (I) Closer Screw Kit 90241-*
- (J) Track Screw Kit 90242
- (K) Cover Plate Screw Pack 90278
- (L) Optional Track Spacer for Retrofit Applications 90260
- (M) Wood Mounting Clips 90257-*

ARCHITECTURAL GRADE/CENTER HUNG OVERHEAD CONCEALED CLOSERS

MODEL 93

Application

- Exterior or interior doors
- Door weight up to 250 lbs.
- Maximum door size: exterior 4' x 8', interior 4'6" x 8'
- Can be used in aluminum, hollow metal or wood frames

Features

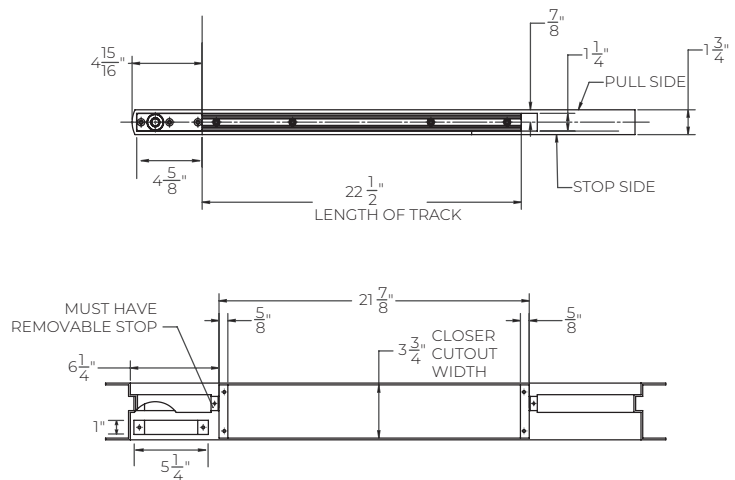
- Single acting, center hung
- Heavy-duty cast iron closer body
- Forged arms
- 270 pivot set included
- Steel alloy track
- One-piece mounting plate
- 1-1/4" piston diameter
- Dress cover plate included
- Adjustable spring 3-6 for larger doors (specify 93)
- Adjustable spring 1-3 for lighter opening force (specify PH93 – ADA compliant)
- Handed
- Staked, brass adjusting valves
- Product shipped with all wood and all metal screws
- Separate and independent closing speed and latch speed valves
- Separate and independent hydraulic backcheck valve
- All weather fluid (accommodates a temperature range from - 40° to 150°F.)
- Hold open; can be achieved by adding hold open assembly to track. Specify 93H. 100° maximum hold open.
- Extended spindle; 1/2" longer than standard closer spindle. Must be ordered as part of the closer; cannot be added later
- Wood frame; specify prefix W (W93N, WPH93N, W93H, WPH93H)
- Minimum metal frame size 1-3/4" x 4". Minimum wood frame 2-1/2" x 4-1/2"
- Corrosive applications: SRI primer over powder coat finish is recommended. Specify finish x 600 when ordering.
- Direct replacement for LCN 2030
- 15 year limited warranty

Compliance

- ANSI/C05121
- ANSI/BHMA A156.4 Grade 1
- PH93 meets requirements for Americans with Disabilities Act (ADA)



TECHNICAL INFO

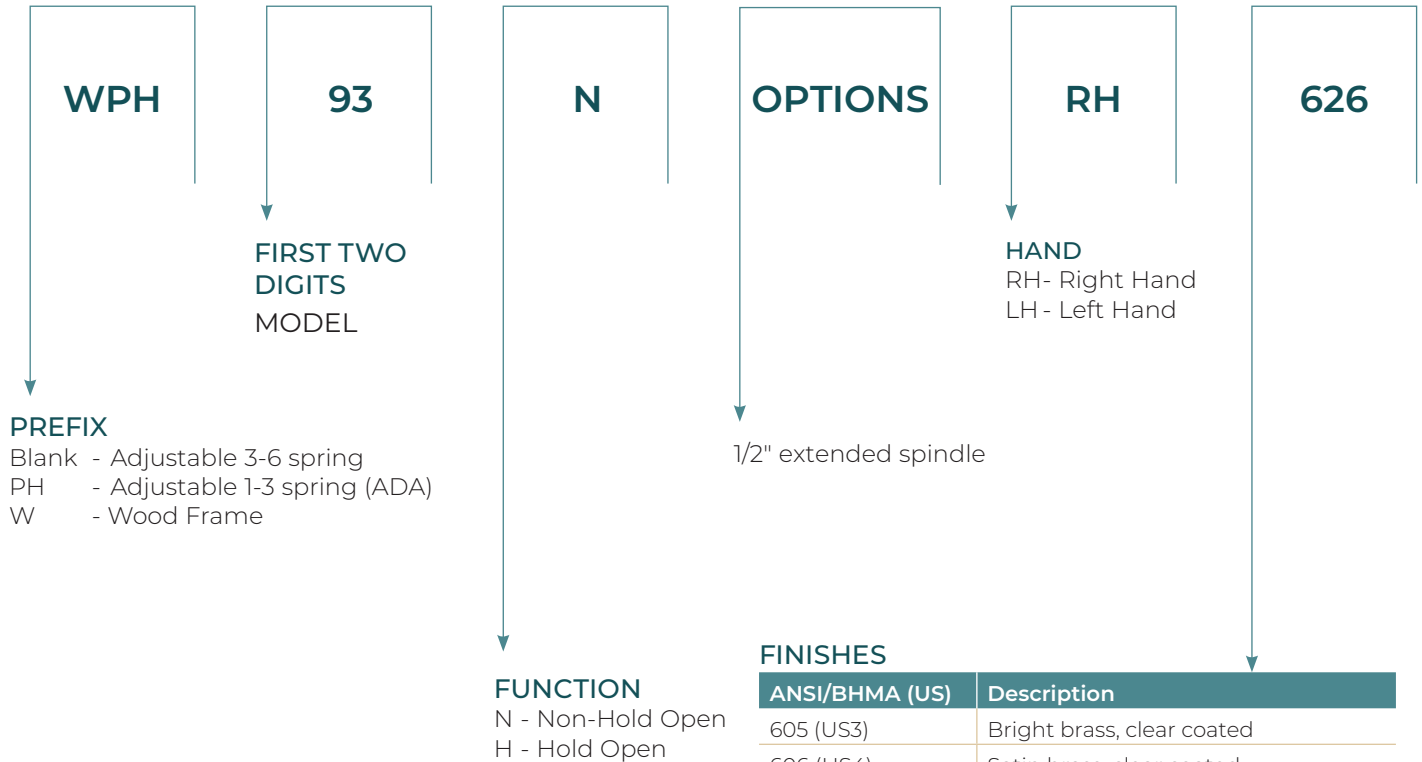


Specifications

Model 93 shall be used for center pivot single acting, interior or exterior doors. Closer shall fit in a 1-3/4" x 4" metal frame/aluminium transom and 2-1/2" x 4-1/2" wood frame. Closer shall be handed. Closer shall have an adjustable spring for adjustable strength. Closer shall have adjustable hydraulic backcheck. Closer shall have two closing speed adjustments, sweep and latch. Closer shall be constructed with a cast iron body with 1-1/4" piston for high strength and premium performance. Closer shall be Grade 1 per ANSI/BHMA A156.4, UL Listed, and ADA-compliant. An optional hold open feature can be achieved using the single lever arm and track design.

ARCHITECTURAL GRADE/CENTER HUNG OVERHEAD CONCEALED CLOSERS

MODEL 93 HOW TO ORDER

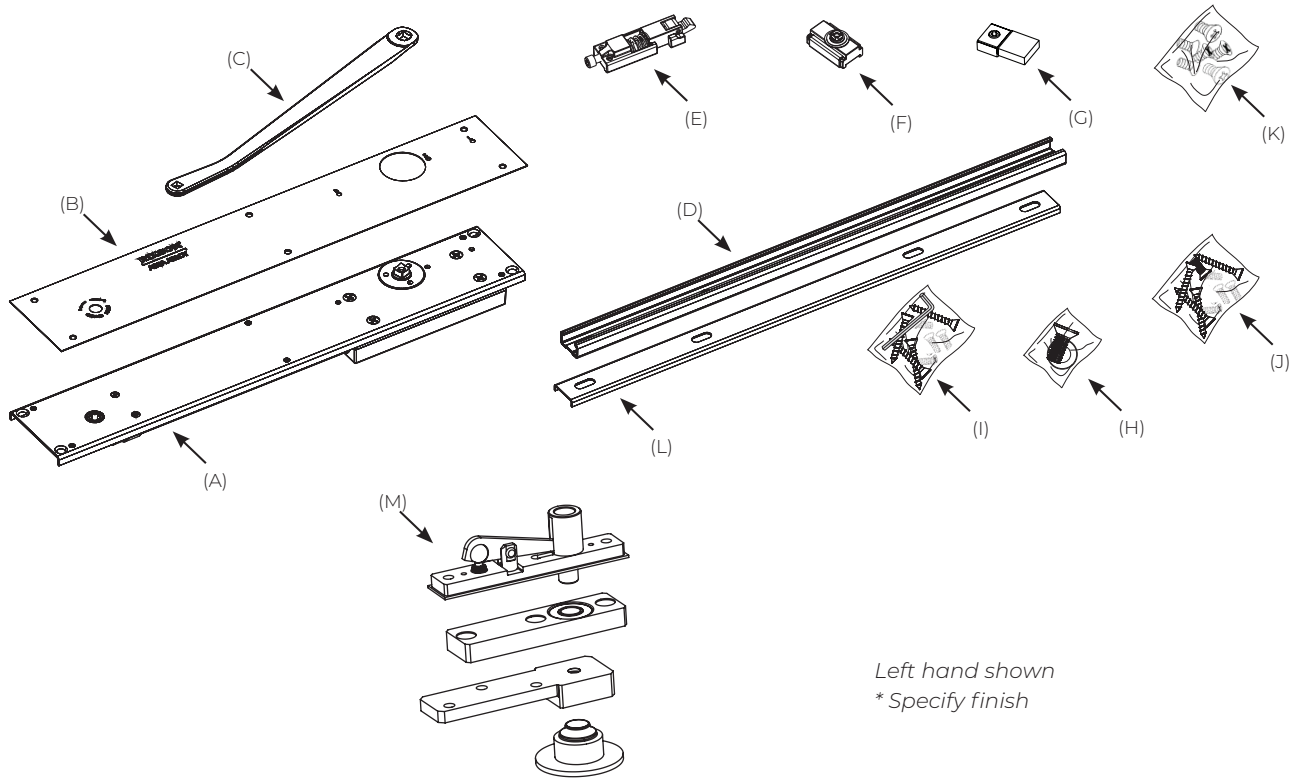


FINISHES

ANSI/BHMA (US)	Description
605 (US3)	Bright brass, clear coated
606 (US4)	Satin brass, clear coated
613 (US10B)	Antique bronze
613E (US10BE)	Dark oxidized satin bronze - equiv.
618 (US14)	Bright nickel plated, clear coated
619 (US15)	Satin nickel plated, clear coated
625 (US26)	Bright chrome plated over nickel
626 (US26D)	Satin chrome plated over nickel
689 (US28)	Aluminum, painted
690 (US20)	Dark bronze, painted
691 (US10)	Light bronze, painted
693	Black, painted
696 (US4)	Gold, painted
BSP	Black suede powder coat
WSP	White suede powder coat
600	SRI primer

Note: In corrosive conditions, SRI primer over powder coat finish is recommended. Specify finish x 600 when ordering. SRI is not available with plated finishes.

MODEL 93



*Left hand shown
* Specify finish*

PACKAGES

Right Hand Arm Package
90237-*PKG (includes 90237, 90283 and 90253)

Left Hand Arm Package
90236-*PKG (includes 90236, 90283 and 90253)

Non-Hold Open Track Assembly
90255-ASY (includes 90255, 90242 and 90239)

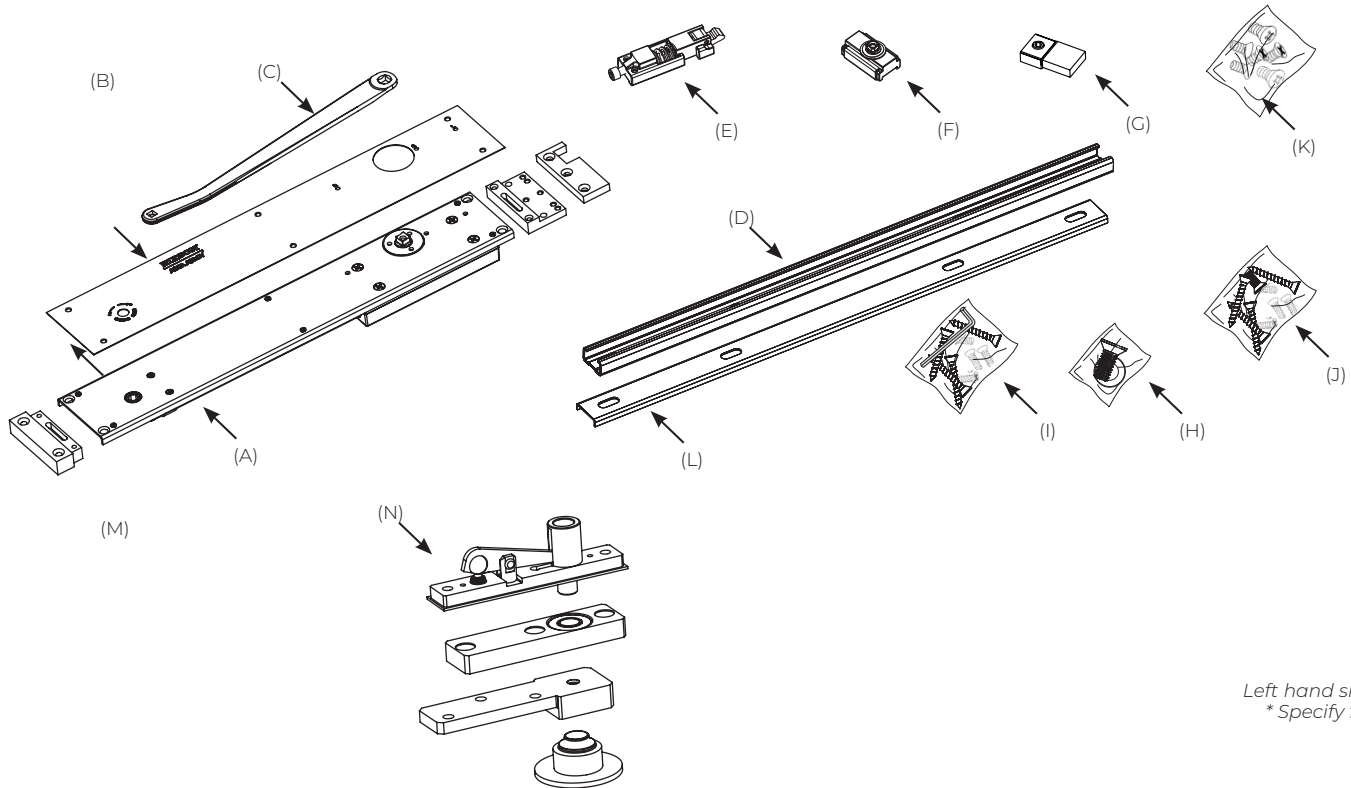
Hold Open Track Assembly
90254-ASY (includes 90254, 90242 and 90239)

- (A) Closer Body (Specify hand, function (NHO or HO), LAP (less all parts))
- (B) Cover Plate 90272-* (LH)
90275-* (RH)
- (C) Arm 90236-* (LH)
90237-* (RH)
- (D) Track 90239
- (E) Hold Open Assembly 90254
- (F) Slider 90253
- (G) Non-Hold Open Stop Block 90255
- (H) Arm Screw Pack 90283-*
- (I) Closer Screw Kit 90241-*
- (J) Track Screw Kit 90242
- (K) Cover Plate Screw Pack 90278-*
- (L) Optional Track Spacer for Retrofit Applications 90260
- (M) 270 Pivot 70224-*

PARTS LIST

OVERHEAD CONCEALED CLOSERS

MODEL W93



Left hand shown
*Specify finish

PACKAGES

Right Hand Arm Package
90237-*PKG (includes 90237, 90283 and 90253)

Left Hand Arm Package
90236-*PKG (includes 90236, 90283 and 90253)

Non-Hold Open Track Assembly
90255-ASY (includes 90255, 90242 and 90239)

Hold Open Track Assembly
90254-ASY (includes 90254, 90242 and 90239)

- (A) Closer Body (Specify hand, function x LAP)
- (B) Cover Plate 90272-* (LH)
90275-* (RH)
- (C) Arm 90236-* (LH)
90237-* (RH)
- (D) Track 90239
- (E) Hold Open Assembly 90254
- (F) Slider 90253
- (G) Non-Hold Open Stop Block 90255
- (H) Arm Screw Kit 90283-*
- (I) Closer Screw Kit 90241-*
- (J) Track Screw Kit 90242
- (K) Cover Plate Screw Pack 90278
- (L) Optional Track Spacer for Retrofit Applications
90260
- (M) Wood Mounting Clips 90270-*
- (N) 270 Pivot 70224-*

ARCHITECTURAL GRADE/CENTER HUNG OVERHEAD CONCEALED CLOSERS

MODEL 73

Application

- Exterior or interior doors
- Door weight up to 250 lbs.
- Maximum door size: exterior 4' x 8', interior 4'6" x 8'
- Can be used in aluminum, hollow metal or wood frames

Features

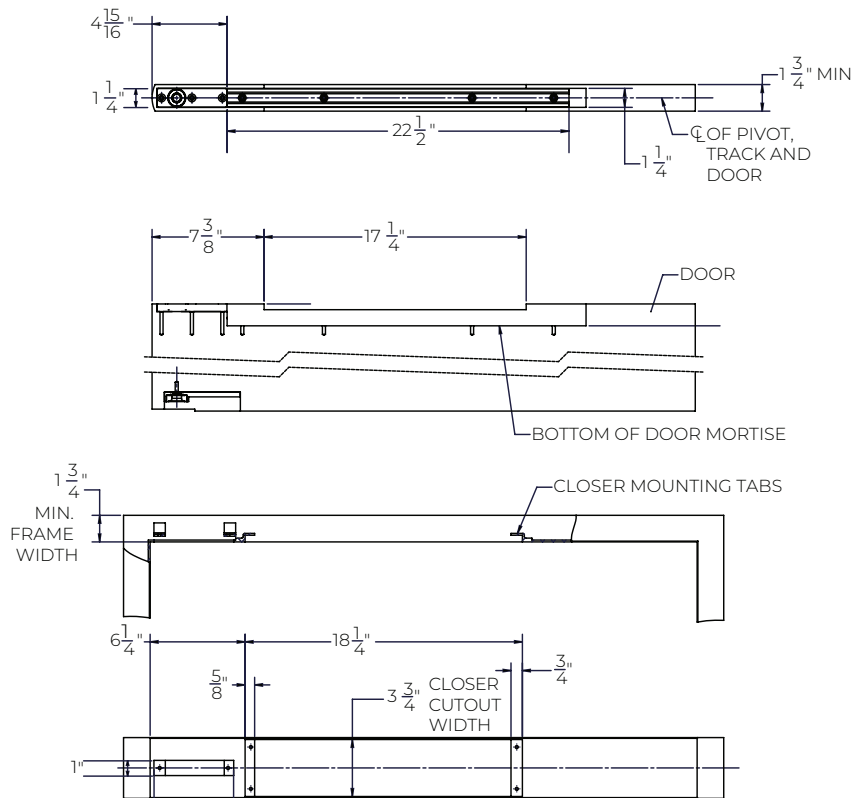
- Double acting, center hung
- Heavy-duty cast iron closer body
- 270 pivot set included
- Steel alloy track
- Includes security track designed to eject foreign materials used to prevent a door from closing
- One-piece mounting plate
- 1-1/4" piston diameter
- Dress cover plate included
- Adjustable spring 2-4 for larger doors (specify 73)
- Adjustable spring 1-3 for lighter opening force (specify PH73 – ADA compliant)
- Non-handed
- Staked, brass adjusting valves
- Product shipped with all wood and all metal screws
- Independent latch speed valves
- Closing speed valve
- Backcheck speed valve
- All weather fluid (accommodates a temperature range from - 40° to 150°F.)
- Hold open; can be achieved by adding hold open assembly to track. Specify 73H. 95° maximum hold open.
- Minimum metal frame size 1-3/4" x 4". Minimum wood frame 2-1/2" x 4-1/2"
- Direct replacement for LCN 6030 (double acting)
- 15 year limited warranty

Compliance

- ANSI/C05081
- ANSI/BHMA A156.4 Grade 1
- PH73 meets requirements for Americans with Disabilities Act (ADA)



TECHNICAL INFO



Specifications

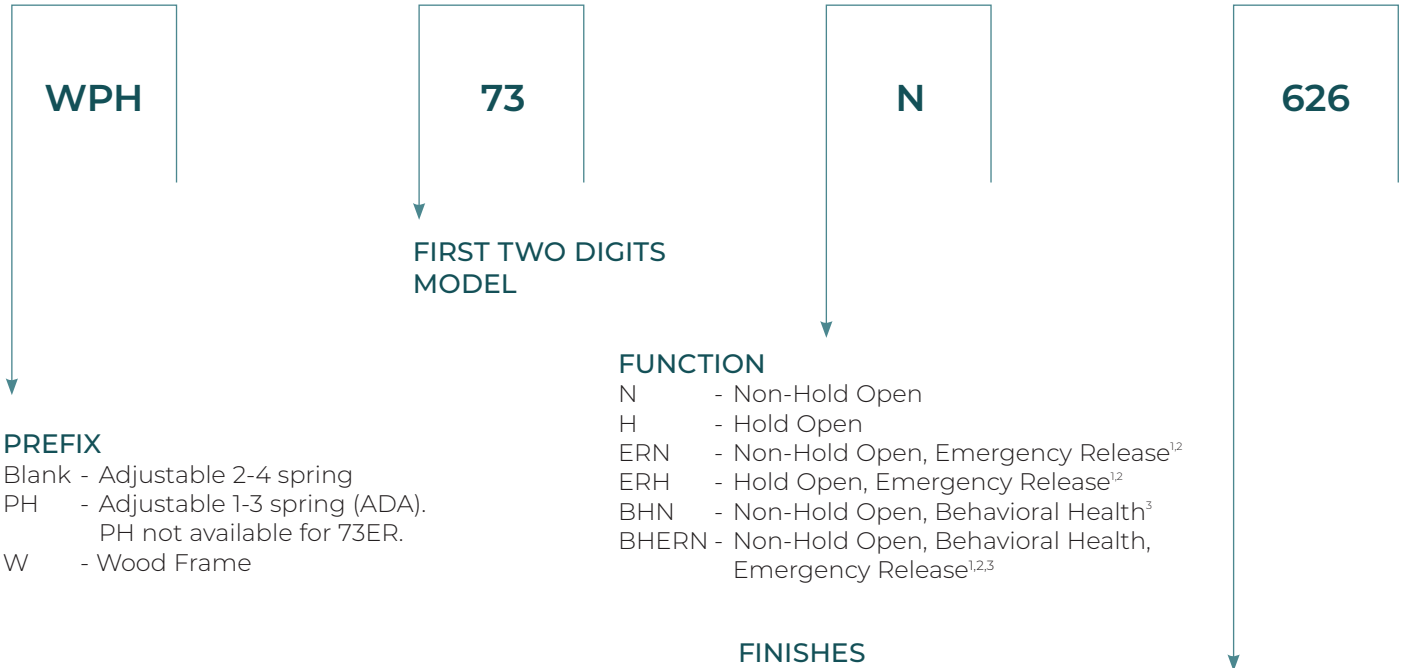
Model 73 shall be used for center pivot double acting, interior or exterior doors. Closer shall fit in a 1-3/4" x 4" metal frame/aluminum transom and 2-1/2" x 4-1/2" wood frame. Closer shall be non-handed. Closer shall have adjustable springs that can be independently adjusted per door direction for adjustable strength. Closer shall have adjustable hydraulic back check. Closer shall have two closing speed adjustments, sweep and latch, where latch speed adjustments can be independently adjusted per door direction. Closer shall be constructed with a cast iron body with 1-1/4" dual pistons for high strength and premium performance. Closer shall be Grade 1 per ANSI/BHMA A156.4, UL Listed, and ADA-compliant. An optional hold open feature can be achieved using the single lever arm and track design.

ARCHITECTURAL GRADE/CENTER HUNG

OVERHEAD CONCEALED CLOSERS

MODEL 73

HOW TO ORDER



PREFIX

- Blank - Adjustable 2-4 spring
- PH - Adjustable 1-3 spring (ADA).
PH not available for 73ER.
- W - Wood Frame

FUNCTION

- N - Non-Hold Open
- H - Hold Open
- ERN - Non-Hold Open, Emergency Release¹²
- ERH - Hold Open, Emergency Release¹²
- BHN - Non-Hold Open, Behavioral Health³
- BHERN - Non-Hold Open, Behavioral Health, Emergency Release^{1,2,3}

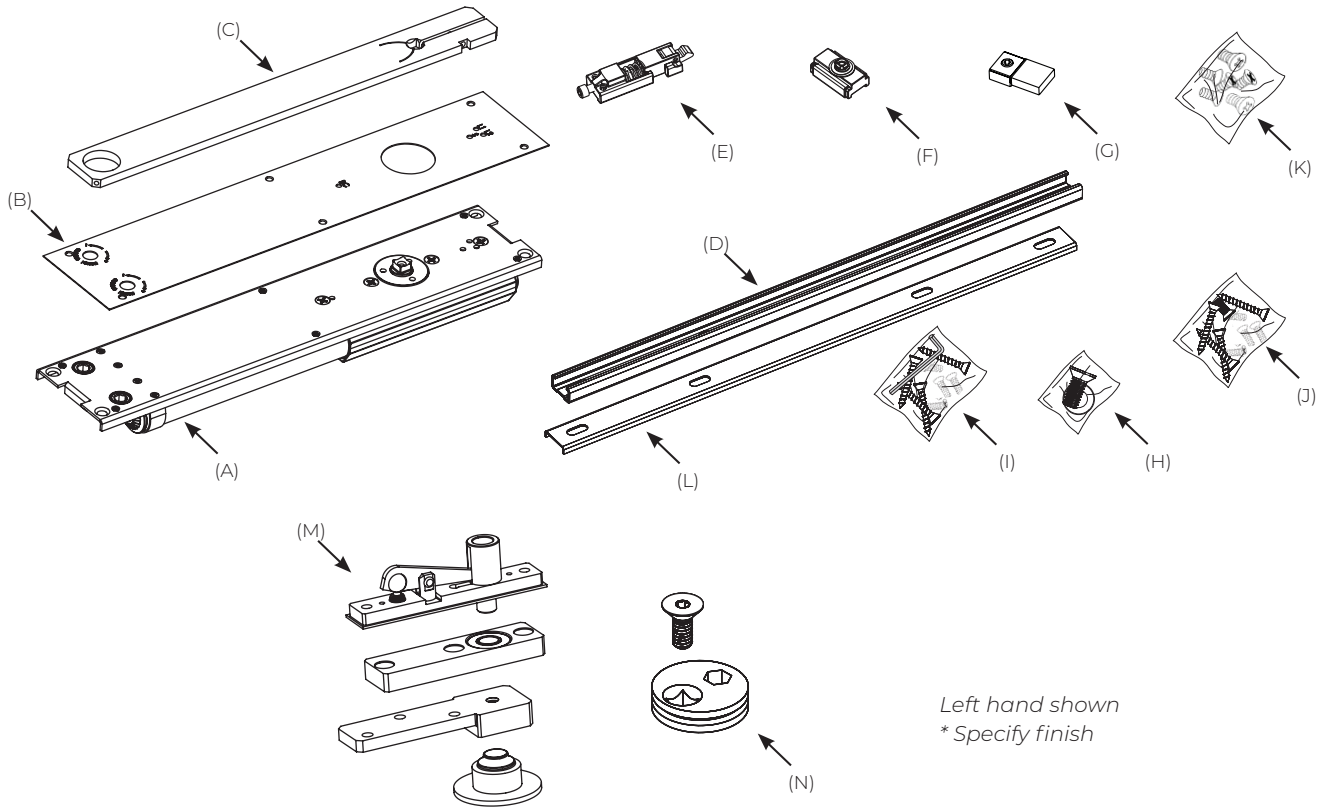
FINISHES

ANSI/BHMA (US)	Description
605 (US3)	Bright brass, clear coated
606 (US4)	Satin brass, clear coated
613 (US10B)	Antique bronze
613E (US10BE)	Dark oxidized satin bronze - equiv.
618 (US14)	Bright nickel plated, clear coated
619 (US15)	Satin nickel plated, clear coated
625 (US26)	Bright chrome plated over nickel
626 (US26D)	Satin chrome plated over nickel
689 (US28)	Aluminum, painted
690 (US20)	Dark bronze, painted
691 (US10)	Light bronze, painted
693	Black, painted
696 (US4)	Gold, painted
BSP	Black suede powder coat
WSP	White suede powder coat
600	SRI primer

Note: In corrosive conditions, SRI primer over powder coat finish is recommended. Specify finish x 600 when ordering. SRI is not available with plated finishes.

1. 270 pivot not included. Works with Markar DSH1000 Double Swing Pin & Barrel Hinge and Pemko DSHP01 Double Swing Continuous Geared Hinge
2. PH not available for 73ER
3. BH model includes a security track and Torx® security screws. Only available as non-hold open.

MODEL 73



PACKAGES

Non-Hold Open Track Assembly
90255-ASY (includes 90255, 90242 and 90239)

Hold Open Track Assembly
90254-ASY (includes 90254, 90242 and 90239)

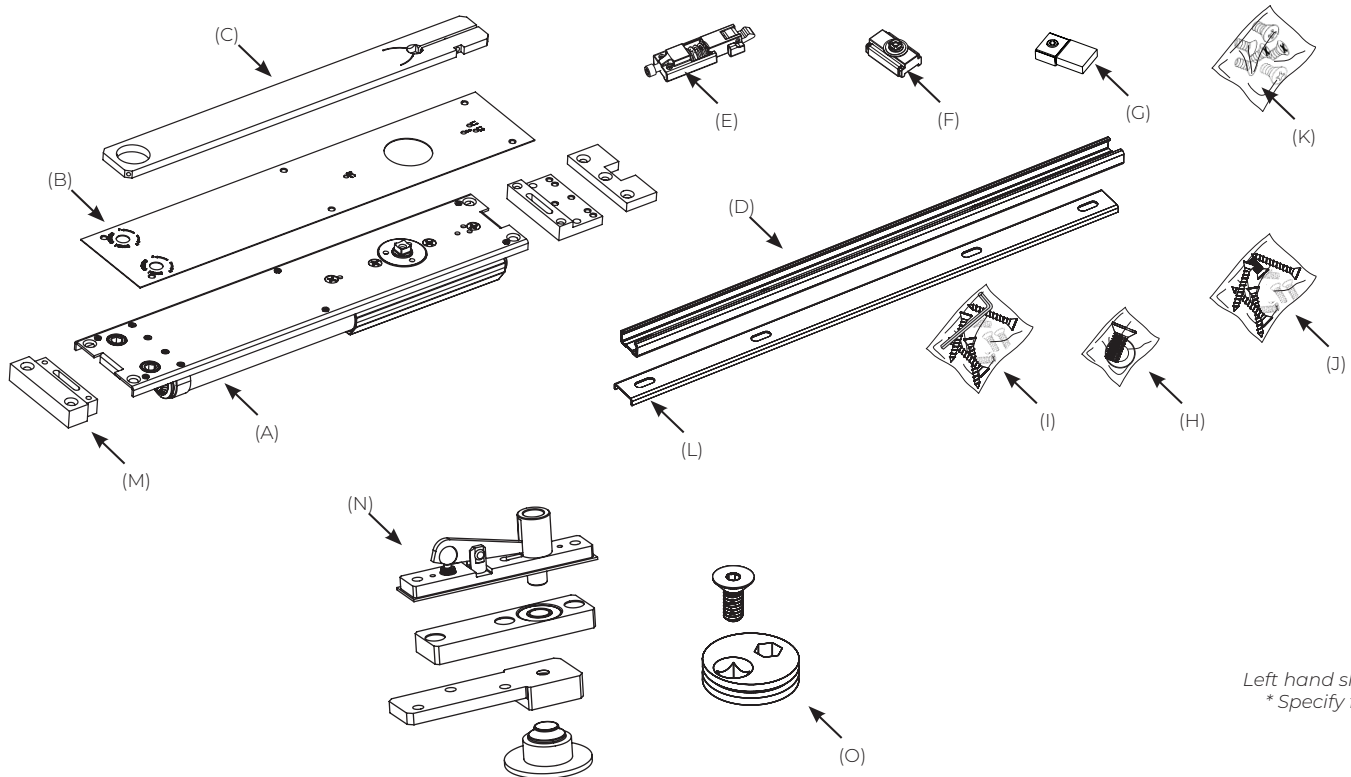
Arm Package
70218-*PKG

- (A) Closer Body (Specify function (NHO or HO), LAP (less all parts)
- (B) Cover Plate 70202-*
- (C) Arm 70218-*
- (D) Track 90239
- (E) Hold Open Assembly 90254
- (F) Slider 90253
- (G) Non-Hold Open Stop Block 90255
- (H) Arm Screw Pack 70251-*
- (I) Closer Screw Kit 90241-*
- (J) Track Screw Kit 90242
- (K) Cover Plate Screw Pack 90278-*
- (L) Optional Track Spacer for Retrofit Applications 90260
- (M) 270 Pivot 70224-*
- (N) Slider Centering Hub 70219

PARTS LIST

OVERHEAD CONCEALED CLOSERS

MODEL W73



Left hand shown
* Specify finish

PACKAGES

Non-Hold Open Track Assembly
90255-ASY (includes 90255, 90242 and 90239)

Hold Open Track Assembly
90254-ASY (includes 90254, 90242 and 90239)

Arm Package
70218-*PKG

- (A) Closer Body (Specify function x LAP)
- (B) Cover Plate 70202-*
- (C) Arm 70218-*
- (D) Track 90239
- (E) Hold Open Assembly 90254
- (F) Slider 90253
- (G) Non-Hold Open Stop Block 90255
- (H) Arm Screw Kit 70251-*
- (I) Closer Screw Kit 90241-*
- (J) Track Screw Kit 90242
- (K) Cover Plate Screw Pack 90278
- (L) Optional Track Spacer for Retrofit Applications 90260
- (M) Wood Mounting Clips 70270-*
- (N) 270 Pivot 70224-*
- (O) Slider Centering Hub 70219

ARCHITECTURAL GRADE/SINGLE ACTING CENTER HUNG OVERHEAD CONCEALED CLOSERS

MODEL 700

Application

- Exterior or interior doors
- Door weight up to 200 lbs.

Features

- Single acting
- Handed
- Available non-hold open (N) or automatic hold open (A). Specify 90° or 105°, N or A
- Frame stop required. See Door Control Accessories Catalog (part number 60131). Order separately.
- Adjustable closing speed valve
- Adjustable hydraulic backcheck
- Includes 2183020 bottom pivot
- Product should always be used with auxiliary stop
- 2 year limited warranty

Optional Features

- Extended spindle; 1/2" longer than standard closer spindle. Must be ordered as part of the closer; cannot be added later
- End cap 199 for top and bottom of wood door

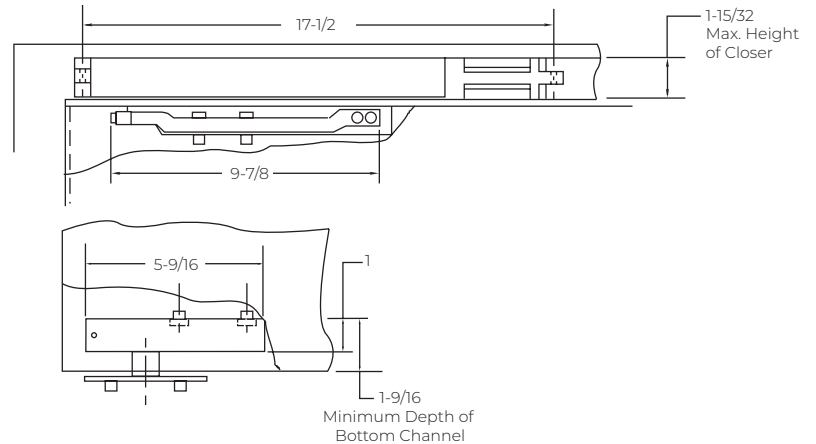
Specifications

Hydraulic closer mechanism to fit in minimum 1-3/4" x 4" aluminum frame. Closer shall have a sized spring determined by the door width. Adjustable hydraulic backcheck and closing speed valves. Closers for single acting doors shall be handed and preloaded for positive closing action. Vertically adjustable center hung bottom pivot included. Hold open (option) is achieved through the closer body and degree called out.



Closer shown with cover, furnished with W, M, MW models

TECHNICAL INFO



Model	Door/Frame Application	Frame Dimensions	Package includes
700	Aluminum Door/Frame	1-3/4" x 4"	Closer body, arm, frame mounting clips (1639000), and bottom pivot (2183020)
M700	Metal Door/Frame	2" x 5-1/2"	Closer body, arm, cover plate, frame mounting channel (1929000*) and bottom pivot (2183020)
MW700	Wood Door/Metal Frame		
W700	Wood Door/Frame	2" x 5-1/2"	Closer body, arm, cover plate, frame mounting channel (1980910*) and bottom pivot (2183020)

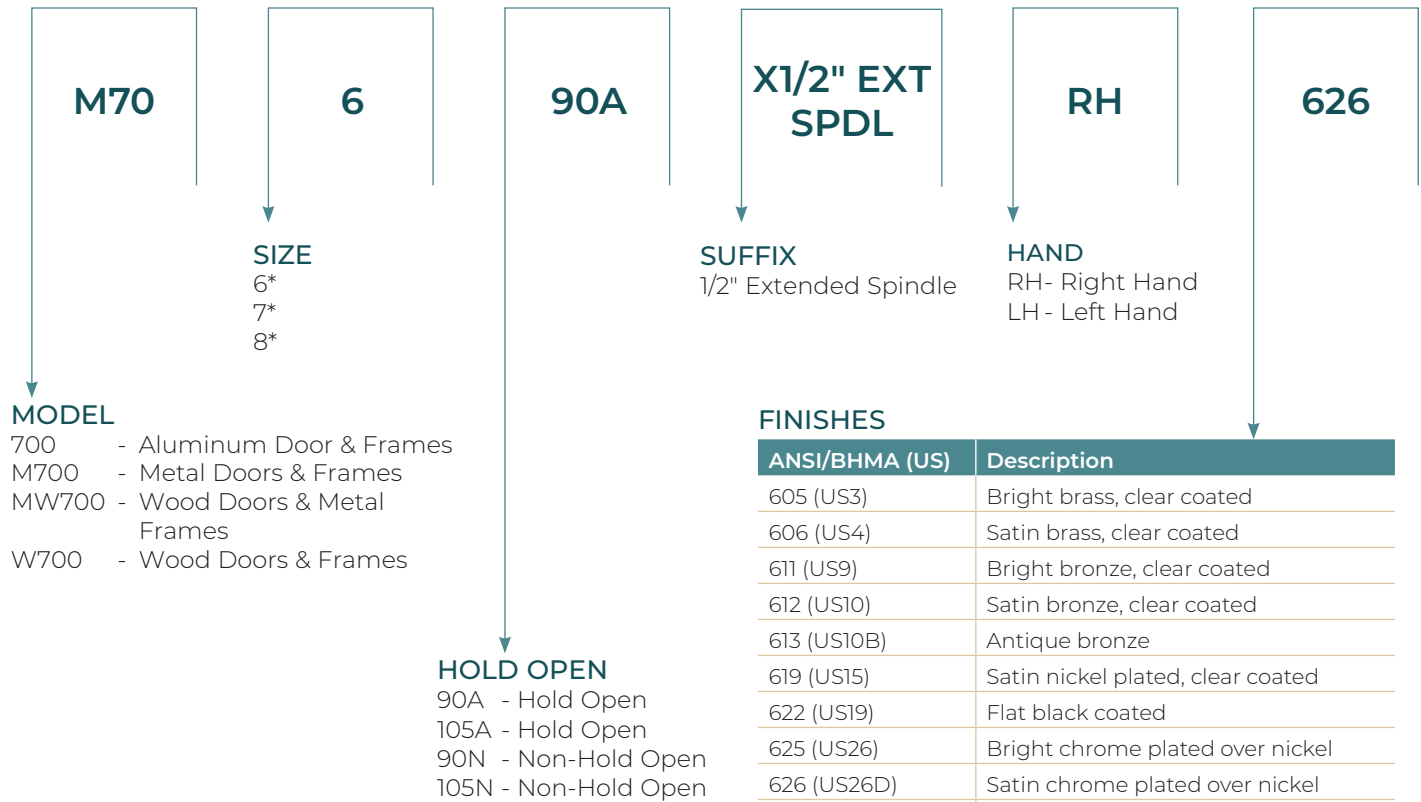
*Note: mounting channels must be welded into frames prior to shipment to job site.

ARCHITECTURAL GRADE/SINGLE ACTING CENTER HUNG

OVERHEAD CONCEALED CLOSERS

MODEL 700

HOW TO ORDER



FINISHES

ANSI/BHMA (US)	Description
605 (US3)	Bright brass, clear coated
606 (US4)	Satin brass, clear coated
611 (US9)	Bright bronze, clear coated
612 (US10)	Satin bronze, clear coated
613 (US10B)	Antique bronze
619 (US15)	Satin nickel plated, clear coated
622 (US19)	Flat black coated
625 (US26)	Bright chrome plated over nickel
626 (US26D)	Satin chrome plated over nickel
689 (US28)	Aluminum, painted
690 (US20)	Dark bronze, painted
691 (US10)	Light bronze, painted
693	Black, painted
696 (US4)	Gold, painted
BSP	Black suede powder coat
WSP	White suede powder coat

Note: Arms are available in sprayed finishes; cover plates are available in plated finishes, BSP and WSP.

*See chart below for door widths

Model	Door Width
706, M706, MW706, W706	Exterior 2'6" Interior 3'0"
707, M707, MW707, W707	Exterior 3'0" Interior 3'3"
708, M708, MW708, W708	Exterior 3'6" Interior 3'8"

Standard door height = 8'

ARCHITECTURAL GRADE/DOUBLE ACTING CENTER HUNG OVERHEAD CONCEALED CLOSERS

MODEL 800

Application

- Exterior or interior doors
- Door weight up to 200 lbs.

Features

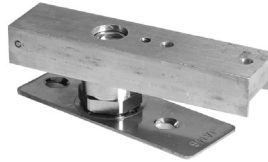
- Double acting
- Non-handed
- Available non-hold open (N) or automatic hold open (A). Specify 90° or 105°, N or A
- Adjustable closing speed valve
- Includes 2183020 bottom pivot
- Product should always be used with auxiliary floor or wall stop
- 2 year limited warranty

Optional Features

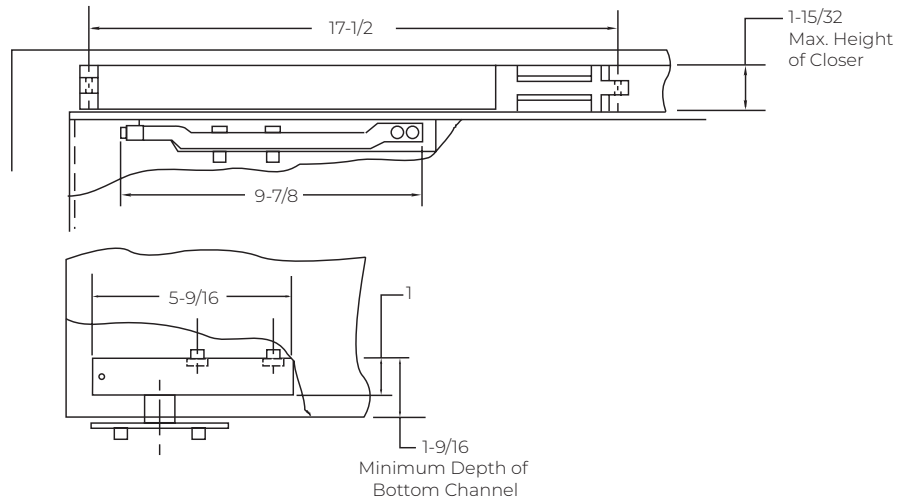
- Extended spindle; 1/2" longer than standard closer spindle. Must be ordered as part of the closer; cannot be added later
- End cap 199 for top and bottom of wood door

Specifications

Hydraulic closer mechanism to fit in minimum 1-3/4" x 4" aluminum frame. Closer shall have a sized spring determined by the door width. Adjustable hydraulic backcheck and closing speed valves. For double acting doors, model 800 has adjustable closing speed for each swing direction. Vertically adjustable center hung bottom pivot included. Hold open (option) is achieved through the closer body and degree called out.



TECHNICAL INFO



Model	Door/Frame Application	Frame Dimensions	Package includes
800	Aluminum Door/Frame	1-3/4" x 4"	Closer body, arm, frame mounting clips (1639000), and bottom pivot (2183020)
M800	Metal Door/Frame	2" x 5-1/2"	Closer body, arm, cover plate, frame mounting channel (1929000*) and bottom pivot (2183020)
MW800	Wood Door/Metal Frame		
W800	Wood Door/Frame	2" x 5-1/2"	Closer body, arm, cover plate, frame mounting channel (1980910*) and bottom pivot (2183020)

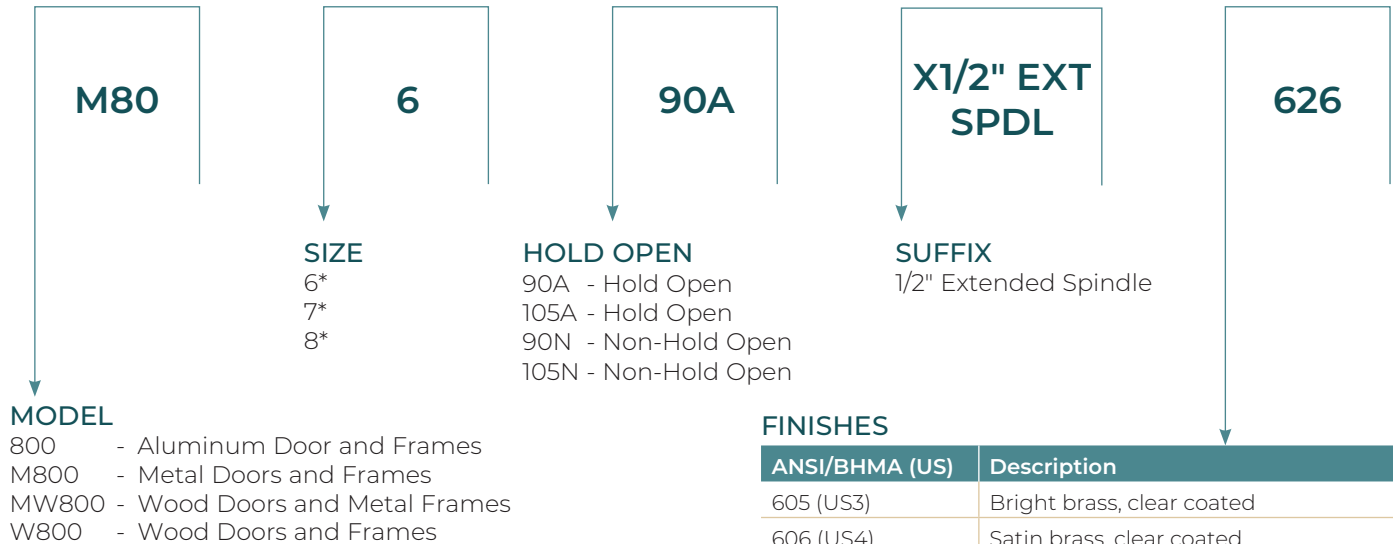
*Note: mounting channels must be welded into frames prior to shipment to job site.

ARCHITECTURAL GRADE/DOUBLE ACTING CENTER HUNG

OVERHEAD CONCEALED CLOSERS

MODEL 800

HOW TO ORDER



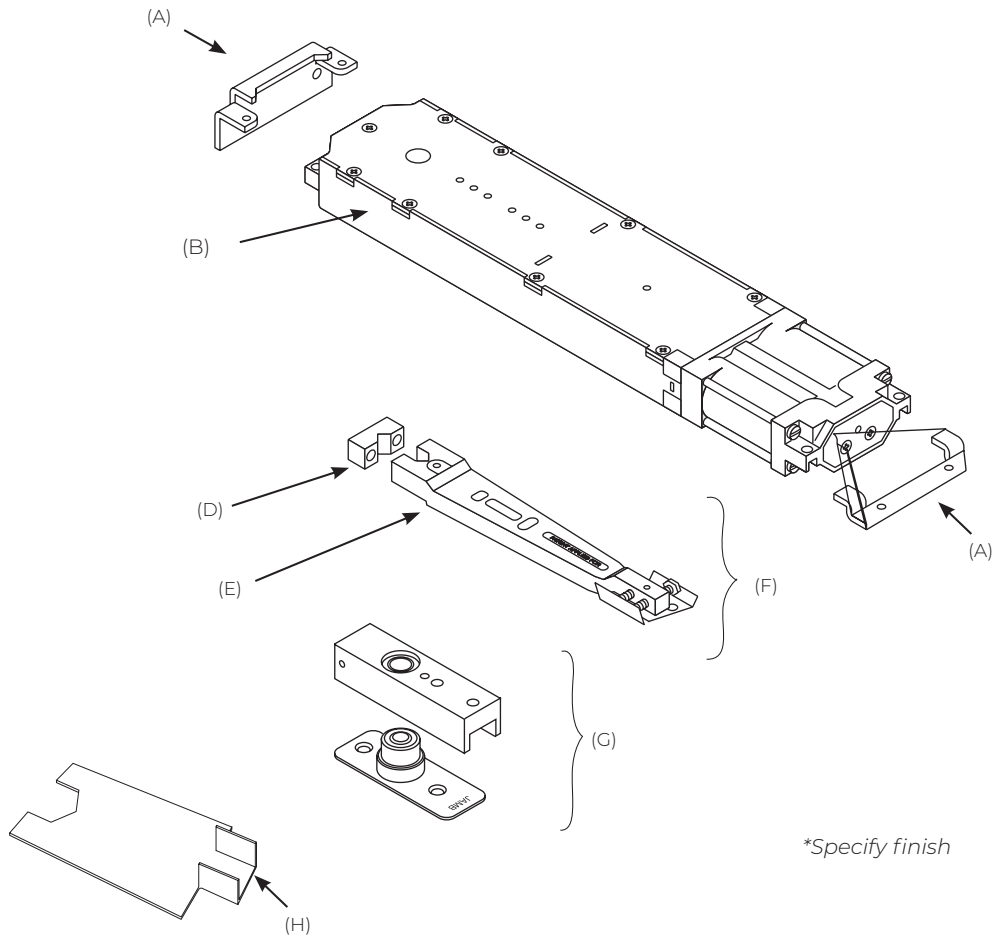
*See chart below for door widths

Model	Door Width
806, M806, MW806, W806	Exterior 2'6" Interior 3'0"
807, M807, MW807, W807	Exterior 3'0" Interior 3'3"
808, M808, MW808, W808	Exterior 3'6" Interior 3'8"

Standard door height = 8'

Note: Arms are available in sprayed finishes; cover plates are available in plated finishes, BSP and WSP.

MODEL 700, 800



SCREW KITS

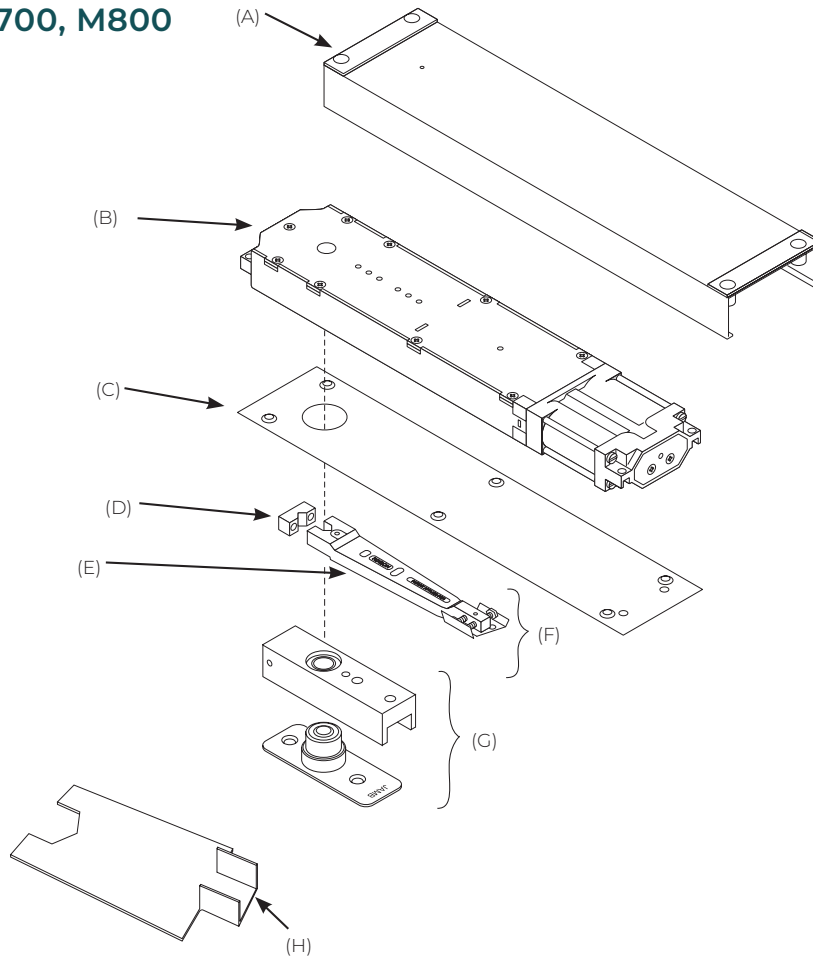
Bottom Pivot Screw Kit 107218
 Arm Screw Kit 107055 (Includes arm end block)
 Arm Block Screw 806018-PKG

- (A) Attaching Bracket 1639000
- (B) Closer Body (Specify Complete Model No. x LAP)
- (D) Arm Block 808075-1
- (E) Arm Assembly 808175
- (F) Arm Package 8002020
- (G) Bottom Pivot Package 2183020
- (H) Pivot Wrench, 218007

PARTS LIST

OVERHEAD CONCEALED CLOSERS

MODEL M700, M800



*Specify finish

SCREW KITS

Bottom Pivot Screw Kit 107218

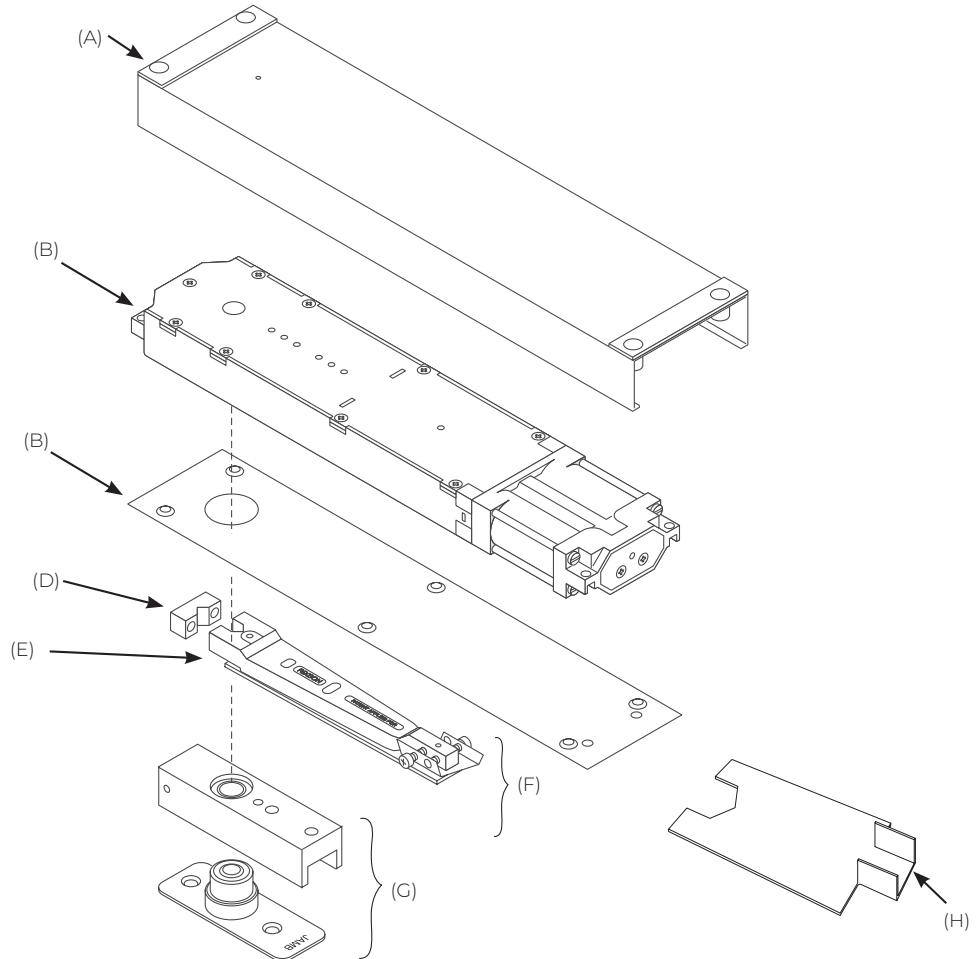
Arm Screw Kit 107055 (Includes arm end block)

Arm Block Screw 806018-PKG

Cover Plate Screw Kit 107006-*

- (A) Closer Mounting Channel 1929000
- (B) Closer Body (Specify Complete Model No. x LAP)
- (C) Cover Plate
700 Series, 7004000R* (RH), 7004000L* (LH)
800 Series, 8004000-*
- (D) Arm Block, 808075-1
- (E) Arm Assembly, 808175
- (F) Arm Package, 8002020
- (G) Bottom Pivot Package, 2183020
- (H) Pivot Wrench, 218007

MODEL MW700, MW800



Decorative Arm Cap (contains 2 caps)
1990906-* (612 and 627 only)

*Specify finish

SCREW KITS

Bottom Pivot Screw Kit 107218

Arm Screw Kit 107055 (Includes arm end block)

Arm Block Screw 806018-PKG

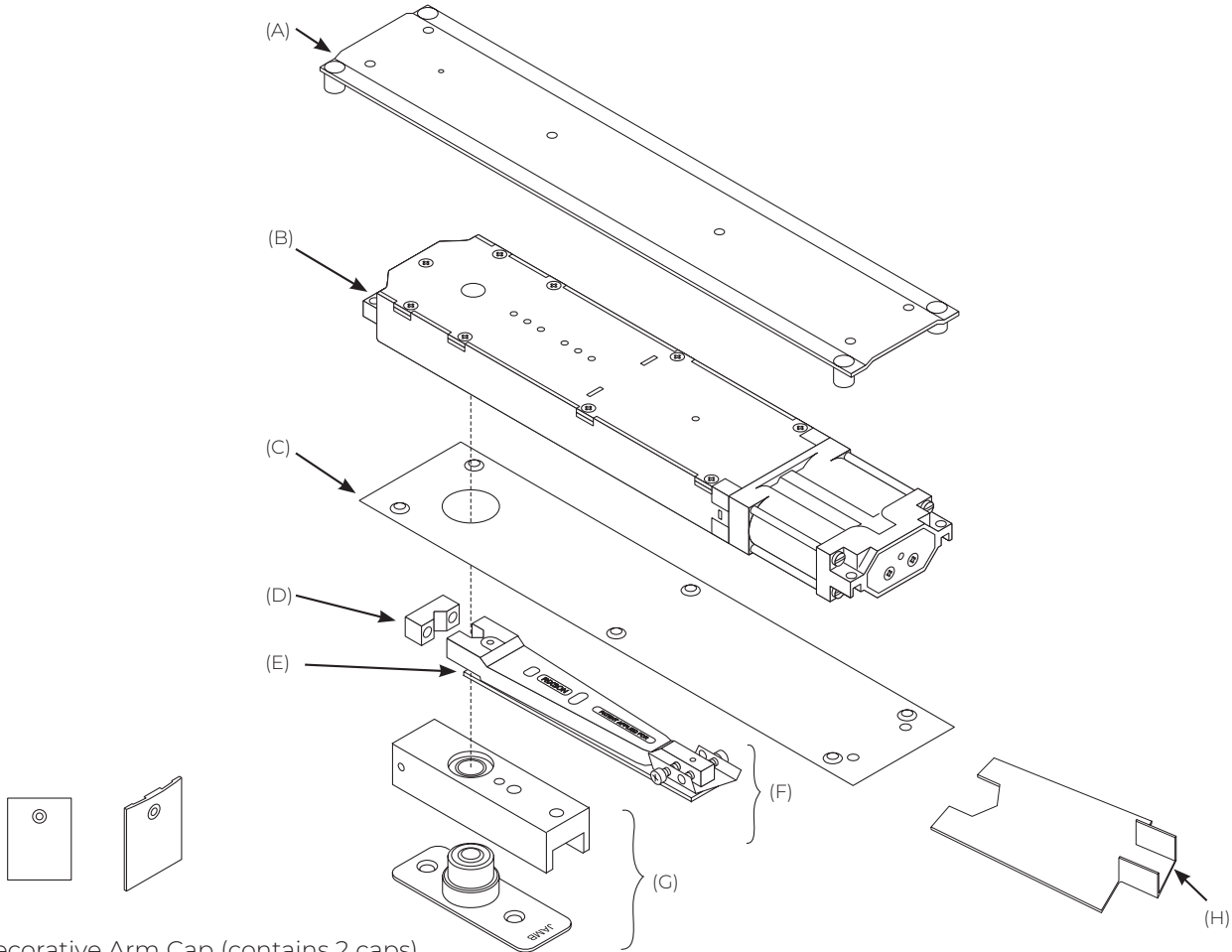
Cover Plate Screw Kit 107006-*

- (A) Closer Mounting Channel 1929000
- (B) Closer Body (Specify Complete Model No. x LAP)
- (C) Cover Plate
700 Series, 7004000R* (RH), 7004000L* (LH),
800 Series, 8004000-*
- (D) Arm Block 808075-1
- (E) Arm Assembly 808174
- (F) Arm Package 8002021
- (G) Bottom Pivot Package 2183020
- (H) Pivot Wrench, 218007

PARTS LIST

OVERHEAD CONCEALED CLOSERS

MODEL W700, W800



Decorative Arm Cap (contains 2 caps)
1990906-* (612 and 627 only)

*Specify finish

SCREW KITS

Bottom Pivot Screw Kit 107218

Arm Screw Kit 107055 (Includes arm end block)

Arm Block Screw 806018-PKG

Cover Plate Screw Kit 107006-*

- (A) Closer Mounting Channel 1980910
- (B) Closer Body (Specify Complete Model No. x LAP)
- (C) Cover Plate
7004000R* (RH),
7004000L* (LH)
- (D) Arm Block 808075-1
- (E) Arm Assembly 808174
- (F) Arm Package 8002021
- (G) Bottom Pivot Package 2183020
- (H) Pivot Wrench, 218007

COMMODITY GRADE/OFFSET HUNG OVERHEAD CONCEALED CLOSERS

MODEL 0608

Application

- Exterior or interior doors
- Door weight up to 200 lbs.
- Maximum door size 3'8" x 8'

Features

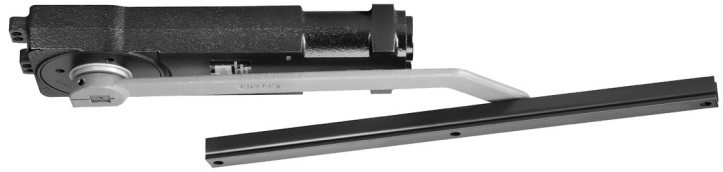
- Single acting
- Non-handed
- Available non-hold open (N)
- Available automatic hold open - specify 90° or 105° (A)
- Arms only available in sprayed finishes
- Adjustable closing and latch speeds
- Removable frame stop required
- Product should always be used with auxiliary floor or wall stop
- Hanging means by others. Recommended product - pivot set 547. See Pivot Catalog.
- Cannot be used with a top pivot
- 2 year limited warranty

Optional Features

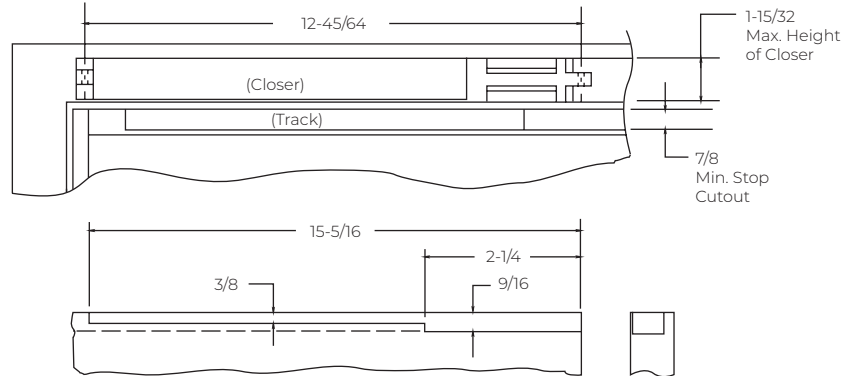
- Extended spindle; 1/2" longer than standard closer spindle. Must be ordered as part of the closer; cannot be added later

Specifications

Compact cast iron body to fit in minimum 1-3/4 x 4" aluminum frame. Closer shall have separate and independent closing and latch speed control valves. Optional hold open at 90 or 105°. Closer body is non-handed, single acting. For independently hung doors use model 0608 with slide track arm and channel.



TECHNICAL INFO

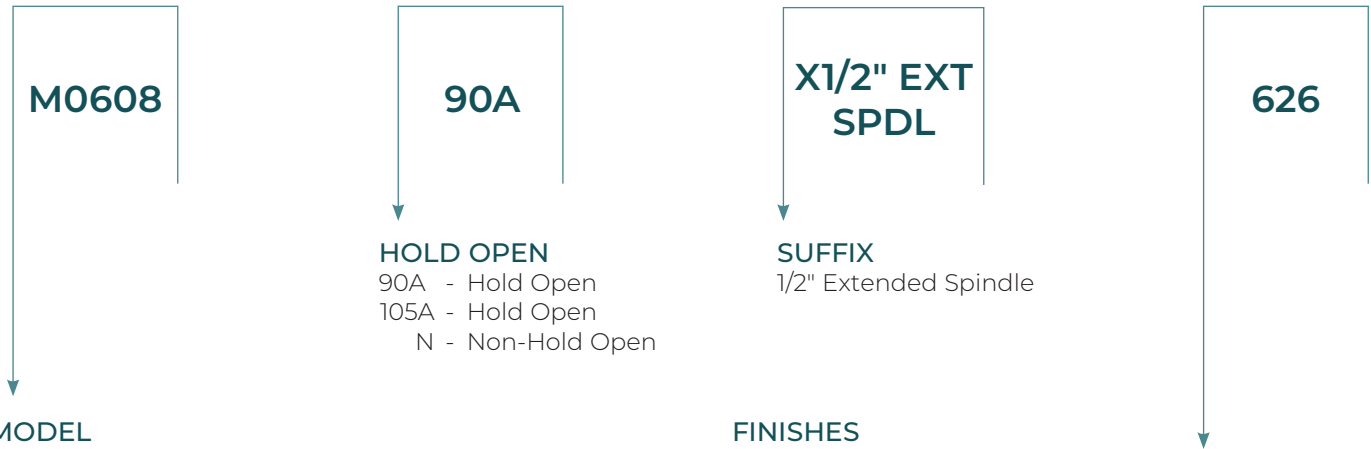


Model	Door/Frame Application	Frame Dimensions	Package includes
M0608	Metal Door/Frame	2" x 5-1/2"	Closer body, arm, frame mounting box (608049PKG*), and cover plate
MW0608	Wood Door/Metal Frame		
W0608	Wood Door/Frame		
AW0608	Wood Door/Aluminum Frame	1-3/4" x 4"	Closer body, arm, and frame mounting clips

*Note that mounting box must be welded into frames prior to shipment to job site.

COMMODITY GRADE/OFFSET HUNG OVERHEAD CONCEALED CLOSERS

MODEL 0608 HOW TO ORDER



MODEL

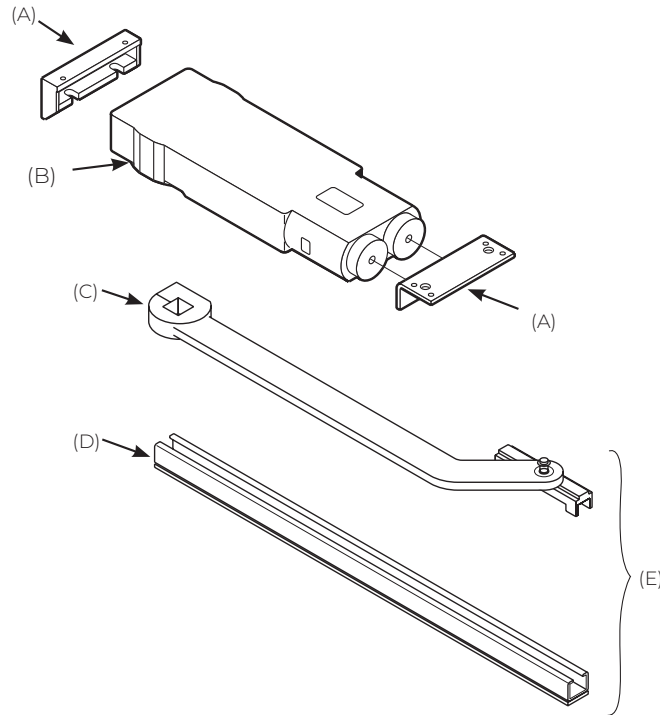
- 0608 - Aluminum Door and Frames
- M0608 - Metal Doors and Frames
- MW0608 - Wood Doors and Metal Frames
- W0608 - Wood Doors and Frames
- AW0608 - Wood Doors & Aluminum Frames

FINISHES

ANSI/BHMA (US)	Description
605 (US3)	Bright brass, clear coated
606 (US4)	Satin brass, clear coated
611 (US9)	Bright bronze, clear coated
612 (US10)	Satin bronze, clear coated
613 (US10B)	Antique bronze
619 (US15)	Satin nickel plated, clear coated
622 (US19)	Flat black coated
625 (US26)	Bright chrome plated over nickel
626 (US26D)	Satin chrome plated over nickel
689 (US28)	Aluminum, painted
690 (US20)	Dark bronze, painted
691 (US10)	Light bronze, painted
696 (US4)	Gold, painted
BSP	Black suede powder coat
WSP	White suede powder coat

Note: Arms are available in sprayed finishes; cover plates are available in plated finishes, BSP and WSP.

MODEL 0608/AW0608



**Specify finish*

SCREW KITS

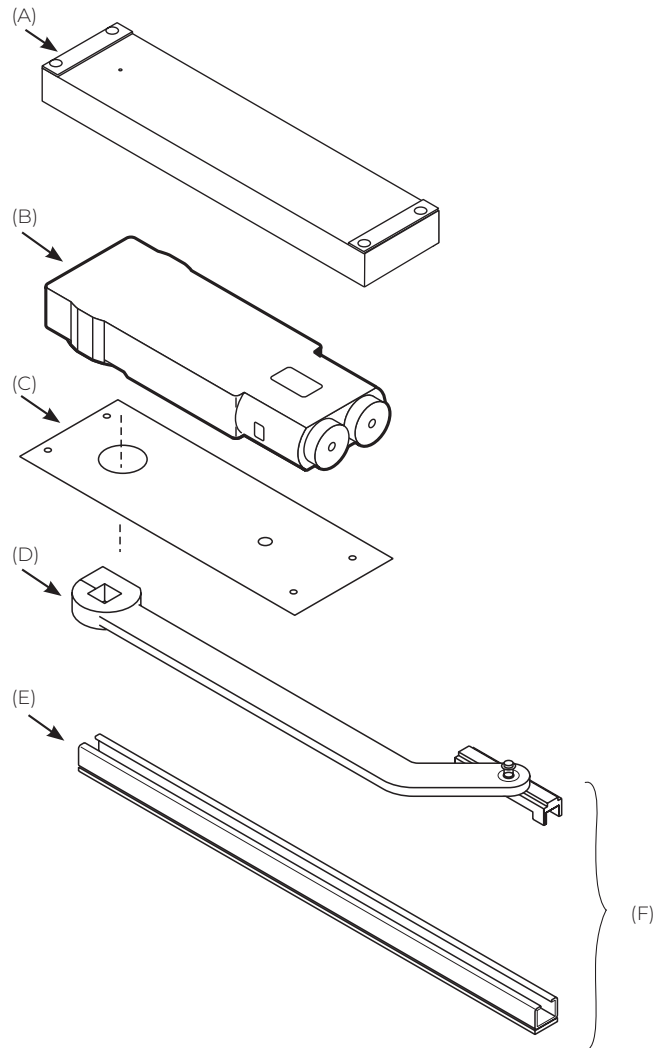
Screw Kit 608064

- (A) Closer Mounting Kit 608019
- (B) Closer Body (Specify Complete Model No. x LAP)
- (C) Arm Assembly (sprayed finishes only) 0608312-*
- (D) Rail 0608109
- (E) Arm & Rail Package (sprayed finishes only) 06082012-*

PARTS LIST

OVERHEAD CONCEALED CLOSERS

MODEL M0608/MW0608/W0608



**Specify finish*

SCREW KITS

Cover Plate Screw Kit 107022-*

Screw Kit 608064

- (A) Closer Mounting Kit 608049PKG
- (B) Closer Body (Specify Complete Model No. x LAP)
- (C) Cover Plate 6084000-*
- (D) Arm Assembly (sprayed finishes only) 0608312-*
- (E) Rail 0608109
- (F) Arm & Rail Package (sprayed finishes only) 06082012-*

COMMODITY GRADE/CENTER HUNG OVERHEAD CONCEALED CLOSERS

MODEL 608

Application

- Exterior or interior doors
- Door weight up to 200 lbs.
- Maximum door size: interior 3'8" x 8', exterior 3'6" x 8'

Features

- Single or double acting
- Non-handed
- Available in non-hold open (N)
- Available in automatic hold open (both directions)
Specify 90° or 105° (A)
- Adjustable closing and latch speeds
- Includes 608011 bottom pivot
- Frame stop is required. See Door Control Accessories Catalog (part number 60131). Order separately.
- Product should always be used with auxiliary floor or wall stop
- 2 year limited warranty

Optional Features

- Extended spindle; 1/2" longer than standard closer spindle. Must be ordered as part of the closer; cannot be added later
- 199 end caps for top and bottom of wood door

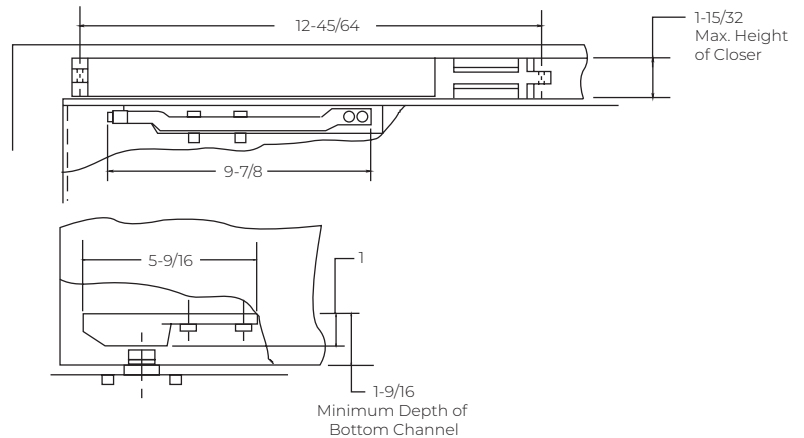
Specifications

Compact cast iron body to fit in minimum 1-3/4" x 4" aluminum frame. Closer shall have separate and independent closing and latch speed control valves. Optional hold open at 90 or 105°. For center hung applications, arm shall have door centering adjustments and be directly connected to the closer spindle. Closer body is non-handed, single or double acting. Vertically adjustable center hung bottom pivot included.



End load arm shown

TECHNICAL INFO



Model	Door/Frame Application	Frame Dimensions	Package includes
608EL	Aluminum Door/Frame	1-3/4" x 4"	Closer body, end load arm, frame mounting clips, and bottom pivot (608011)
608SL	Aluminum Door/Frame		Closer body, side load arm, frame mounting clips, and bottom pivot (608011)
M608	Metal Door/Frame	2" x 5-1/2"	Closer body, arm, frame mounting box (608049PKG*), cover plate and bottom pivot (608011)
MW608	Wood Door/Metal Frame		
W608	Wood Door/Frame		
AW608	Wood Door/Aluminum Frame	1-3/4" x 4"	Closer body, arm, frame mounting clips, and bottom pivot (608011)

*Note that mounting box must be welded into frames prior to shipment to job site.

COMMODITY GRADE/CENTER HUNG OVERHEAD CONCEALED CLOSERS

MODEL 608

HOW TO ORDER



MODEL

- 608EL - End Load Arm for Aluminum Doors and Frames
- 608SL - Side Load Arm for Aluminum Doors and Frames
- M608 - Metal Doors and Frames
- MW608 - Wood Doors and Metal Frames
- W608 - Wood Doors and Frames
- AW608 - Wood Doors & Aluminum Frames

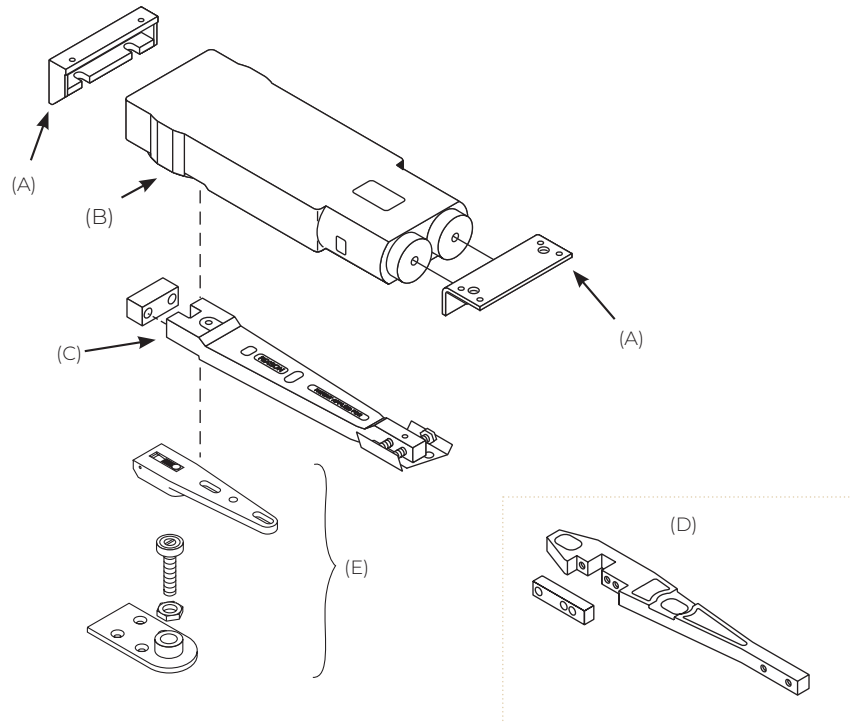
End load arm will be supplied if no designation is listed.

FINISHES

ANSI/BHMA (US)	Description
605 (US3)	Bright brass, clear coated
606 (US4)	Satin brass, clear coated
611 (US9)	Bright bronze, clear coated
612 (US10)	Satin bronze, clear coated
613 (US10B)	Antique bronze
619 (US15)	Satin nickel plated, clear coated
622 (US19)	Flat black coated
625 (US26)	Bright chrome plated over nickel
626 (US26D)	Satin chrome plated over nickel
689 (US28)	Aluminum, painted
690 (US20)	Dark bronze, painted
691 (US10)	Light bronze, painted
696 (US4)	Gold, painted
BSP	Black suede powder coat
WSP	White suede powder coat

Note: Arms are available in sprayed finishes; cover plates are available in plated finishes, BSP and WSP.

MODEL 608EL/608SL



**Specify finish*

SCREW KITS

Arm Screw Kit 107065 (Includes arm end block)

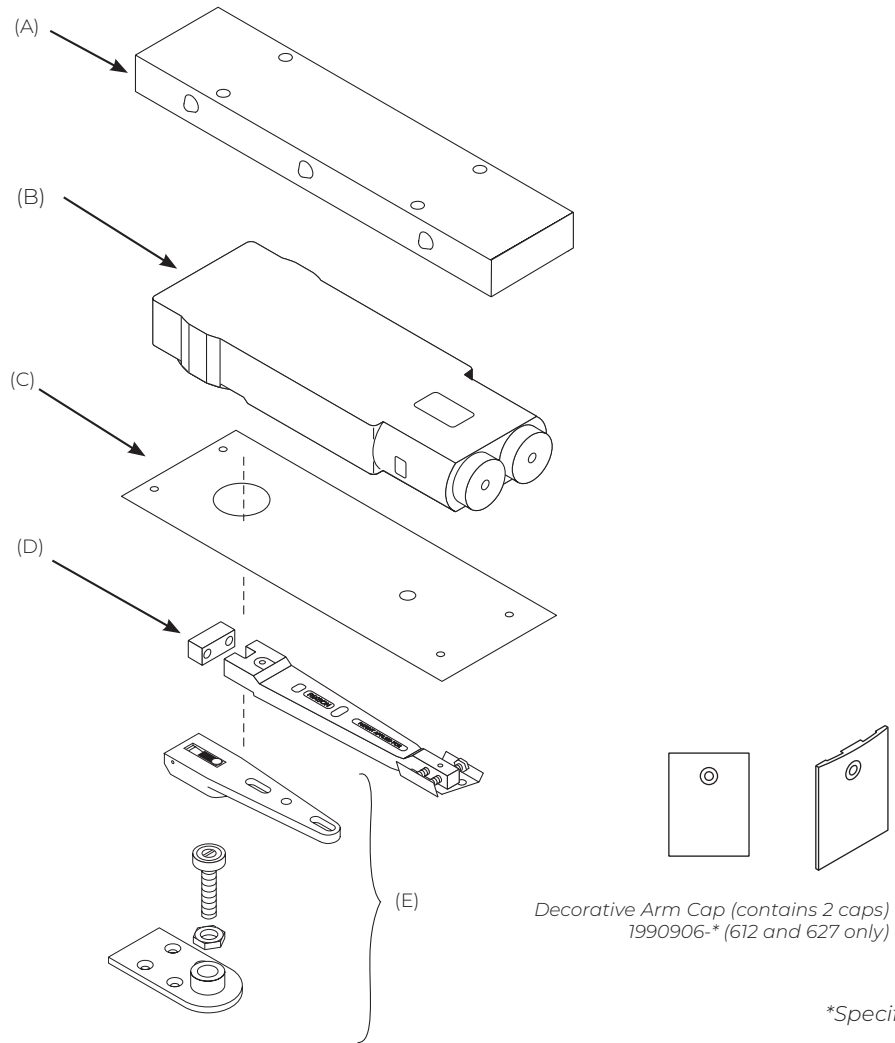
Bottom Pivot Screw Kit 107143

- (A) Closer Mounting Kit 608019
- (B) Closer Body (Specify Complete Model No. x LAP)
- (C) End Load Arm Pkg 6002020
- (D) Side Load Arm 608005S
- (E) Bottom Pivot with Screws 608011A

PARTS LIST

OVERHEAD CONCEALED CLOSERS

MODEL M608



SCREW KITS

Arm Screw Kit 107065 (Includes arm end block)

Cover Plate Screw Kit 107022-*

Bottom Pivot Screw Kit 107143

(A) Closer Mounting Kit 608049PKG

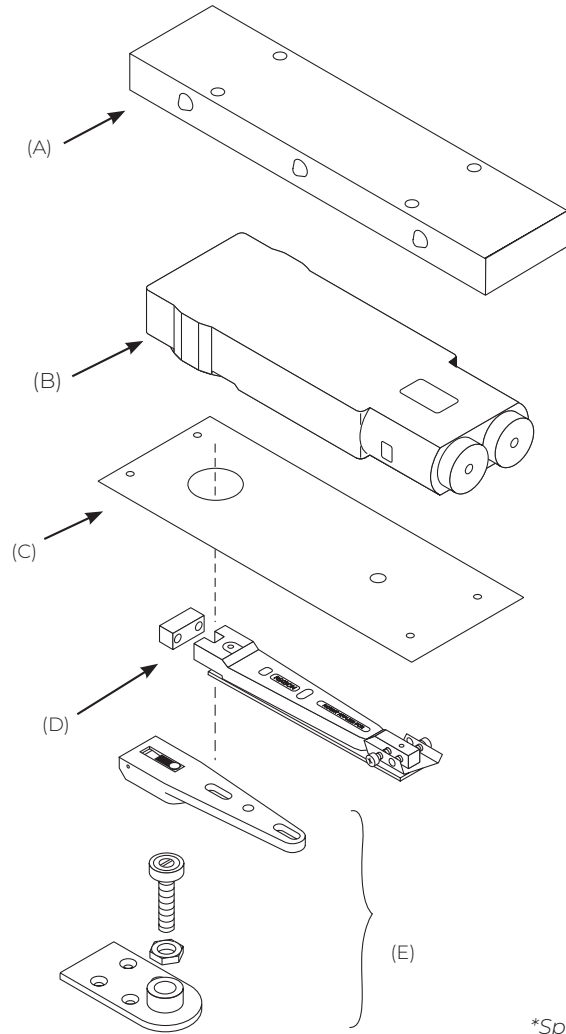
(B) Closer Body (Specify Complete Model No. x LAP)

(C) Cover Plate 6084000 - *

(D) Arm Package 6002020

(E) Bottom Pivot 608011A

MODEL MW608/W608



Decorative Arm Cap (contains 2 caps)
1990906-* (612 and 627 only)

*Specify finish

SCREW KITS

Bottom Pivot Screw Kit 107143

Arm Screw Kit 107065 (Includes arm end block)

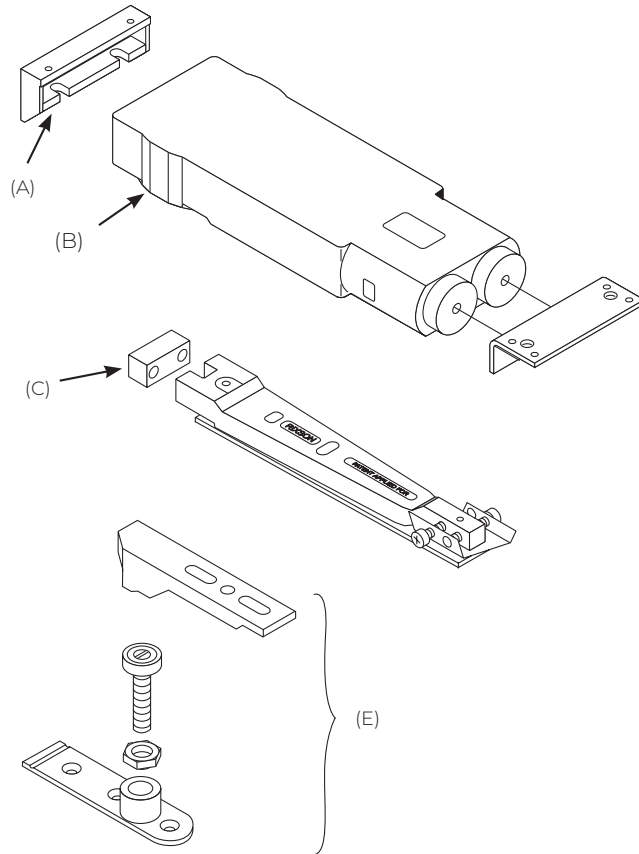
Cover Plate Screw Kit 107022-*

- (A) Closer Mounting Kit 608049PKG
- (B) Closer Body (Specify Complete Model No. x LAP)
- (C) Cover Plate 6084000 - *
- (D) Arm Package 6002021
- (E) Bottom Pivot with Screws 608011A

PARTS LIST

OVERHEAD CONCEALED CLOSERS

MODEL AW608



**Specify finish*

SCREW KITS

Arm Screw Kit 107065 (Includes arm end block)

Bottom Pivot Screw Kit 107143

(A) Closer Mounting Kit 608019

(B) Closer Body (Specify Complete Model No. x LAP)

(C) End Load Arm Pkg 6002021

(E) Bottom Pivot with Screws 608011A

ARCHITECTURAL GRADE OVERHEAD CONCEALED CLOSERS

MODEL 7900

Application

- Exterior or interior doors
- Door weight up to 200 lbs.
- Minimum door width 27"
- Can be used with butt hinges (5" max), 3/4" offset pivots or center hung pivots

Features

- Single acting
- Steel track & slider
- Dress cover plate included
- Shock absorbing door stop
- Aluminium alloy shell
- Adjustable sweep and latch speeds
- Adjustable backcheck cushioning and positioning
- Spring power options:
 - Size 4 (50% adjustability)
 - Adjustable spring 1-3
- Handed
- 1-3/4" – 2-1/4" thick doors
- Fully adjustable, multi-point hold open (7900)
- Minimum 4" high frame
- Non-hold open and hold open units have a shock-absorbing adjustable position stop in the slide track. Auxiliary door stop recommended
- Maximum degree of hold open is dependent on how door is hung:
 - Butt hinges: 85-110°
 - Offset pivots: 85-95°
 - Center pivots: 85-100°
- Torx® screws furnished standard (7970 only)
- Door Position Switch (DPS) option (7970 only)
- 10-year limited warranty

Optional Features

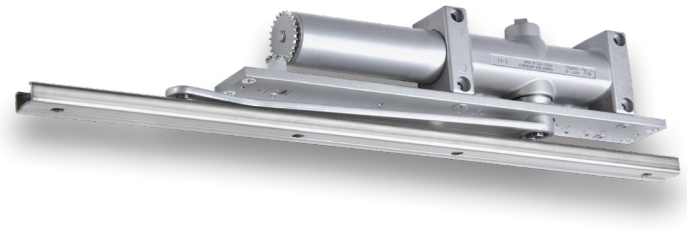
- Delayed Action
- Enhanced backcheck (in lieu of standard backcheck and backcheck positioning)

Compliance

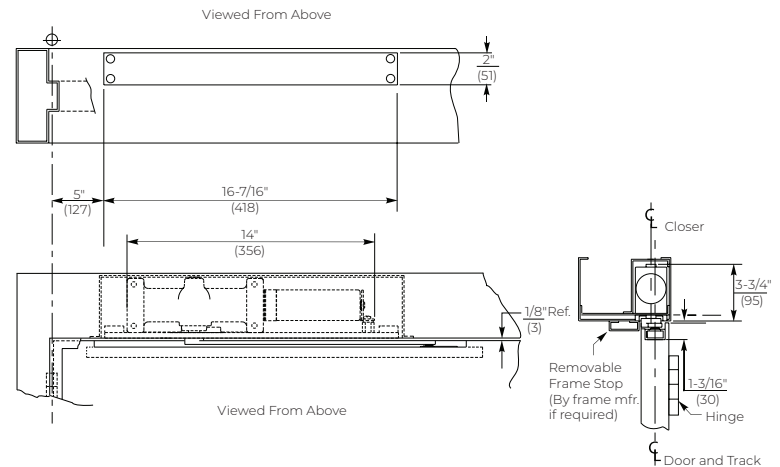
- ANSI/BHMA A156.4 Grade 1
- UL-cUL listed
- UL10C positive pressure up to 3 hours
- Complies with requirements for the Americans with Disabilities Act (A.D.A.) and ANSI standard A117.1 (Model 7900 or 7970)
- MEA - City of New York
- CAL Fire 3550.0944:0100, 3550.0944:0102

WHI

The Fire Block door liner is listed with Warnock Hersey International for use in 20-minute (wood) fire doors that are listed with WHI, when used with the Series 7900 door closer. Specify model number 790. The combination of a 7900 door closer installed in a UL labeled hollow metal door frame and a Norton Rixson Fire Block installed in a WHI labeled 20-minute (wood) fire door, which has the tested preparation, may qualify as a 20-minute fire door assembly. Always consult local authorities to determine the acceptance and proper application of fire door and hardware applications.



TECHNICAL INFO



Shown with offset pivots

Specifications

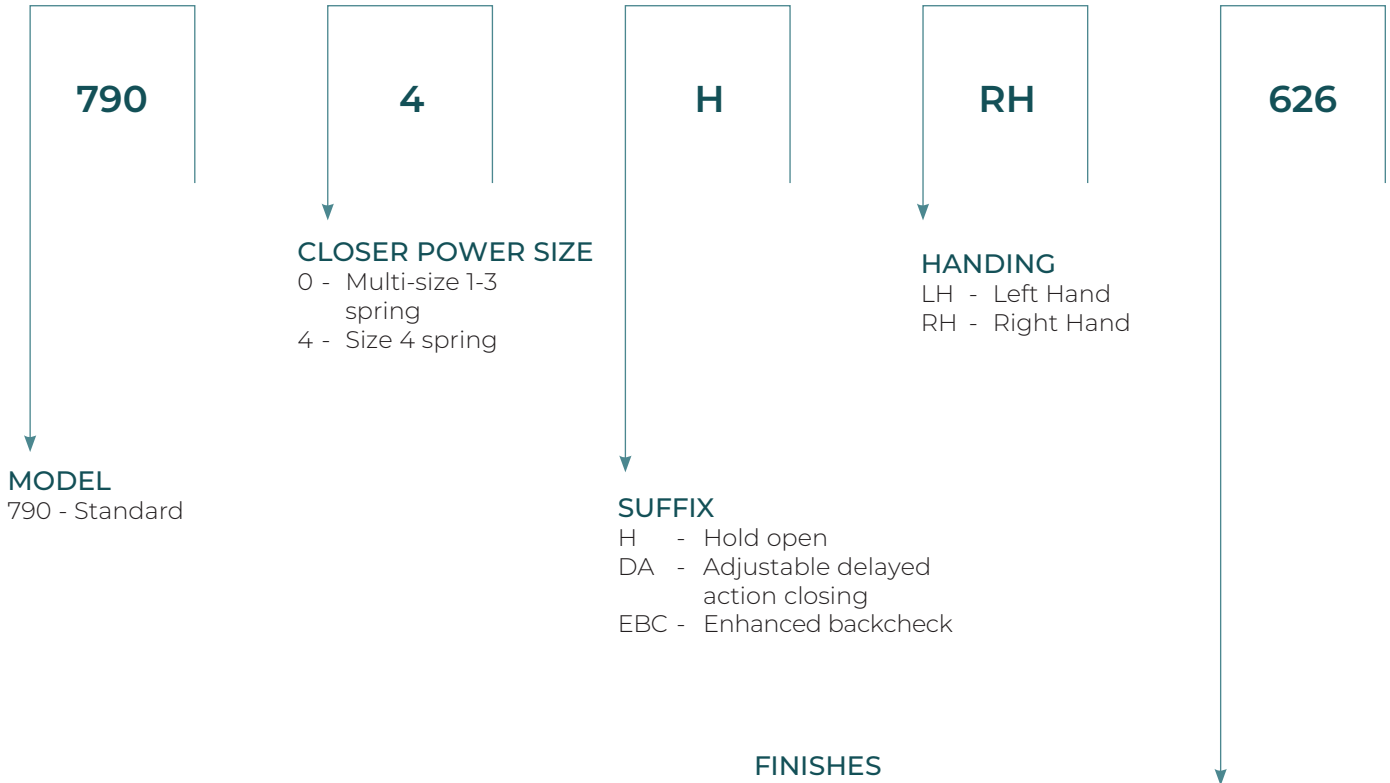
Model 7900 shall be concealed in a 4" (102 mm) high frame header. The slide track shall be concealed in the top rail of the door. (Closer shall be provided with a fireblocking door liner to permit installation in 20-minute wood fire door assemblies.) Closer shall have (four) (five) noncritical valves, hex-key operated, to independently regulate sweep speed, latch speed, backcheck cushioning (and backcheck positioning) (and delayed action closing). [Closers shall be sized units (4)]. [Closers shall have power adjustment to permit a 50% increase in power over the minimum closing force for any size.] [Closers shall have multi-sized adjustment for (interior doors)(exterior doors)]. Closer shall conform to Accessibility Code specifications. Degree of stop shall be field adjustable. Slide track shall have a built-in cushioning shock absorber mechanism. (Hold open mechanism shall be capable of release when holding function is not required. Hold open mechanism shall have an adjustable range 85°-110° of door opening and shall release with a manual pressure on the edge of the door in the direction of closer). 7970/7970DPS shall be supplied with Torx® lobular drive fasteners having a center security pin.

ARCHITECTURAL GRADE

OVERHEAD CONCEALED CLOSERS

MODEL 7900

HOW TO ORDER



Note: For 20-min wood fire doors, order 790 Fire Block package.

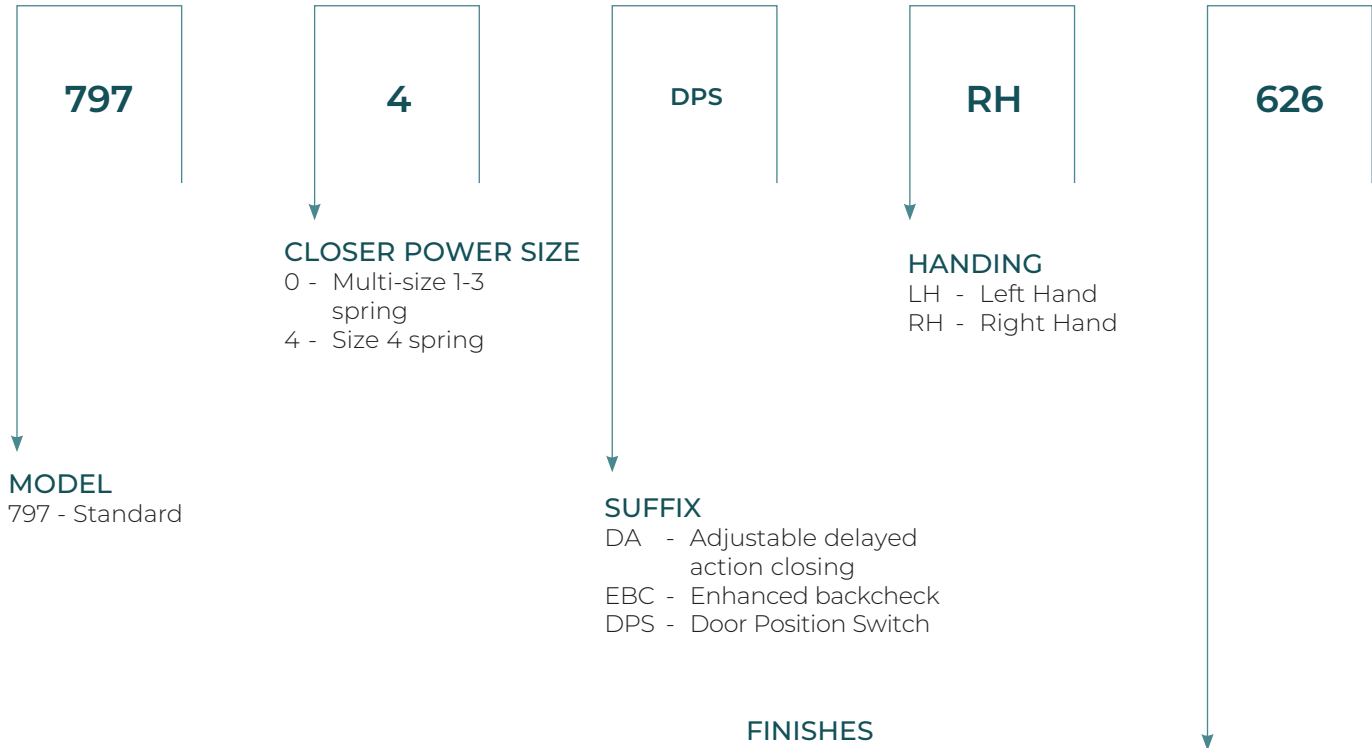
FINISHES

ANSI/BHMA (US)	Description
605 (US3)	Bright brass, clear coated
606 (US4)	Satin brass, clear coated
613E (US10B)	Antique bronze
625 (US26)	Bright chrome plated over nickel
626 (US26D)	Satin chrome plated over nickel
689 (US28)	Aluminum, painted
690 (US20)	Dark bronze, painted
691 (US10)	Light bronze, painted
693	Black, painted
694	Medium bronze, painted
696 (US4)	Gold, painted
BSP	Black suede powder coat
WSP	White suede powder coat

ARCHITECTURAL GRADE OVERHEAD CONCEALED CLOSERS

MODEL 7970/7970DPS SECURITY DOOR CLOSERS

HOW TO ORDER



Note: For 20-min wood fire doors, order 790 Fire Block package.

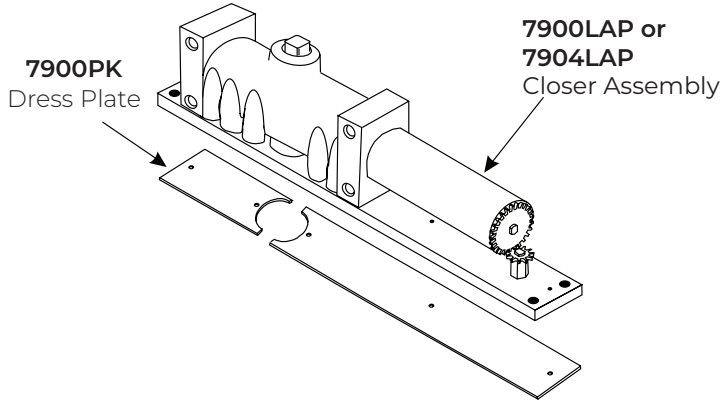
FINISHES

ANSI/BHMA (US)	Description
605 (US3)	Bright brass, clear coated
606 (US4)	Satin brass, clear coated
613E (US10B)	Antique bronze
625 (US26)	Bright chrome plated over nickel
626 (US26D)	Satin chrome plated over nickel
689 (US28)	Aluminum, painted
690 (US20)	Dark bronze, painted
691 (US10)	Light bronze, painted
693	Black, painted
694	Medium bronze, painted
696 (US4)	Gold, painted
BSP	Black suede powder coat
WSP	White suede powder coat

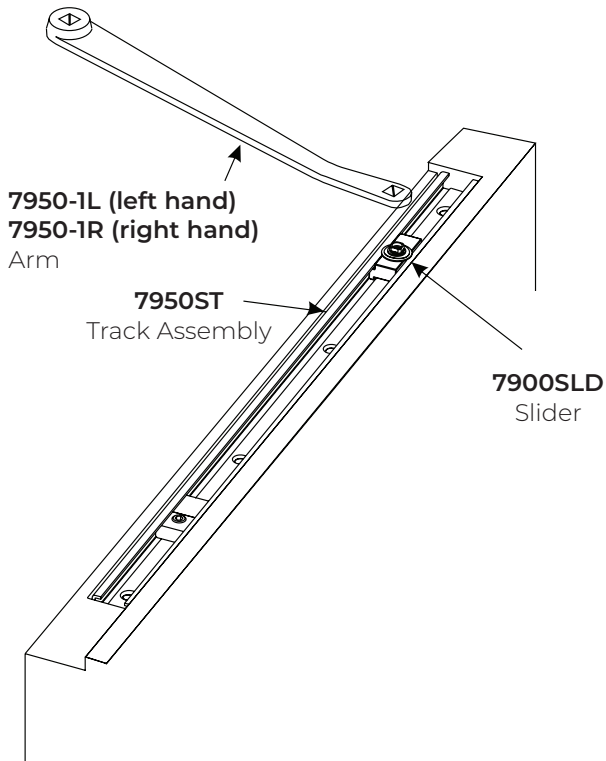
PARTS LIST

OVERHEAD CONCEALED CLOSERS

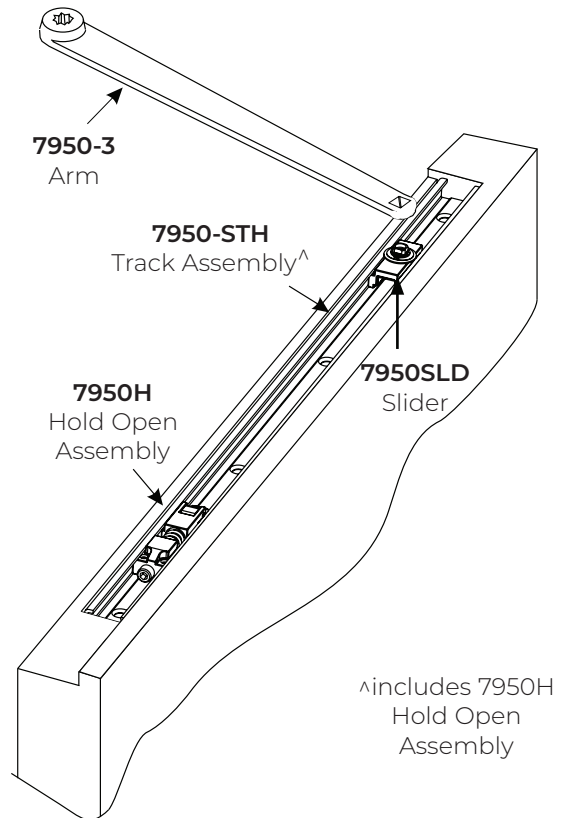
MODEL 7900



Non-Hold Open



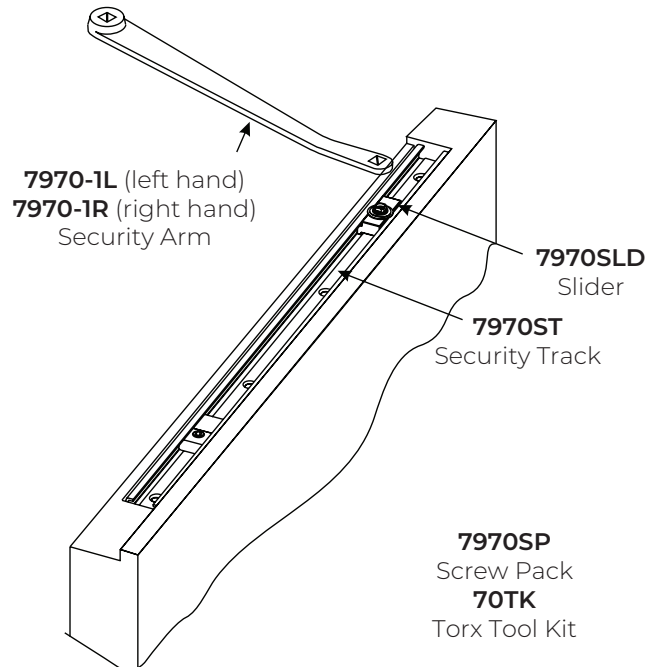
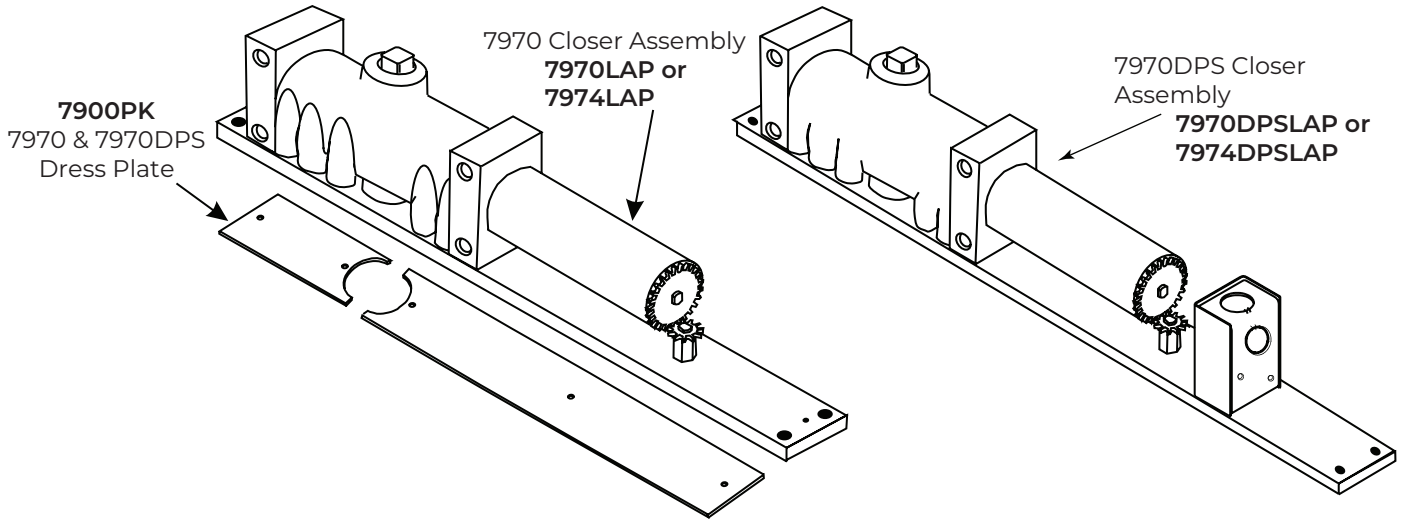
Hold Open



Specify finish when ordering parts.

7900SP
Screw Pack

MODEL 7970



Specify finish when ordering parts.

COMMODITY GRADE OVERHEAD CONCEALED CLOSERS

MODEL 61

Application

- Concealed in the door
- Interior doors
- Door weight: 175 lbs. (weight carried by hinges)
- Can be used in metal or wood doors/frames

Features

- Cam action design for ease of opening and secure close
- Single acting
- Non-handed
- Adjustable spring size 2-4
- Minimum door thickness: 1-3/4"
- Minimum frame required: 1"
- Minimum top rail: 2-1/2"
- Maximum door width: 42"
- Adjustable closing speed, latching speed and backcheck
- Maximum opening: 120°
- Non-hold open model: specify 61N
- Hold open model: specify 61H
- Finish: 689
- Warranty: 5 years

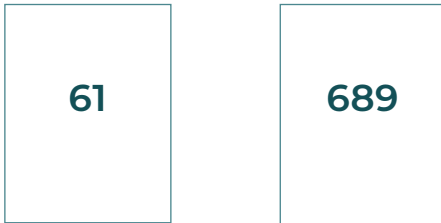
Compliance

- UL10C positive pressure (3-hour hollow metal doors)
- UL228



MODEL 61

HOW TO ORDER



FINISHES

ANSI/BHMA (US)	Description
689 (US28)	Aluminum, painted

NOTES

OVERHEAD CONCEALED CLOSERS

The ASSA ABLOY Group is the global leader in access solutions.
Every day, we help billions of people experience a more open world.

ASSA ABLOY Opening Solutions leads the development within door openings and products for access solutions in homes, businesses and institutions. Our offering includes doors, frames, door and window hardware, mechanical and smart locks, access control and service.



ASSA ABLOY

Since 1880, Norton Rixson door controls have been an integral part of schools, hospitals and businesses around the globe. When you need products and people that perform at the highest level, rely on Norton Rixson – From Open to Close.

NORTON RIXSON | WWW.NORTONRIXSON.COM

3000 Highway 74 East | Monroe, NC 28112 | Tel: 1 877 974 2255

ASSA ABLOY OPENING SOLUTIONS DOOR SECURITY SOLUTIONS CANADA | WWW.ASSAABLOYDSS.CA

160 Four Valley Drive | Vaughan, Ontario, L4K 4T9 Canada | Tel: 800 461 3007