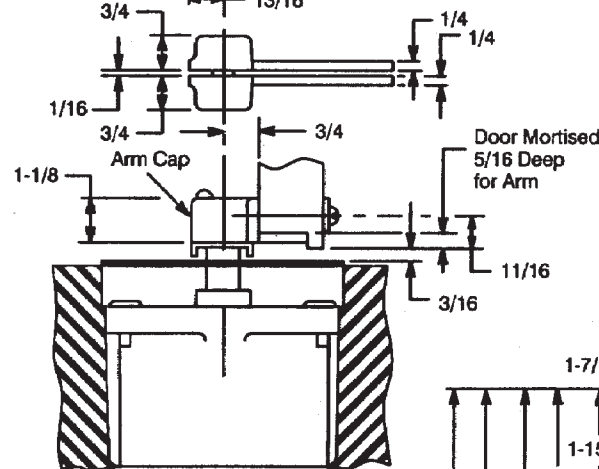
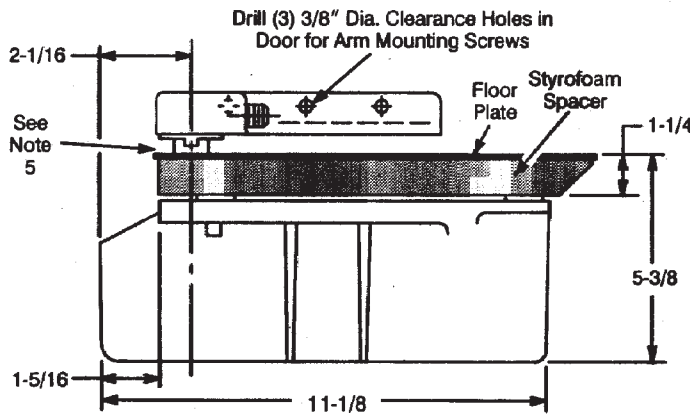


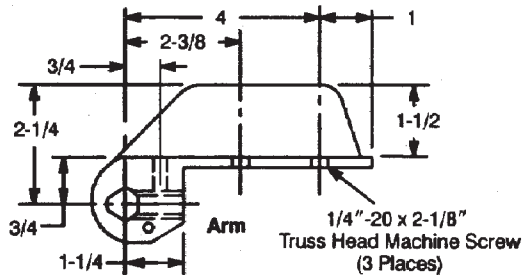
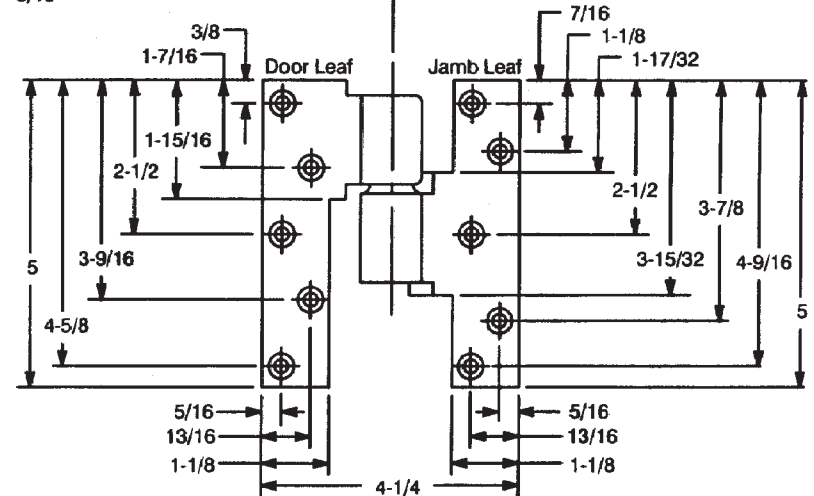
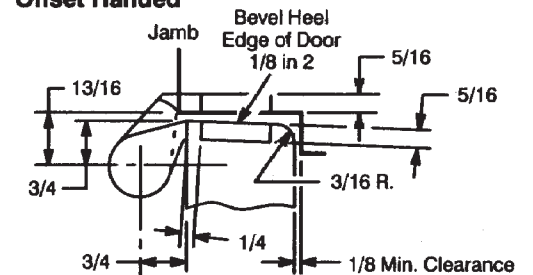
Notes:

1. Do not scale drawing.
2. Right hand shown.
3. Q27 Series
 85° Max. Opening, Trim Permitting
 90° Max. Opening, Trim Permitting
 105° Max. Opening, Trim Permitting
4. Suffix Letters:
 A – Automatic Hold Open
 S – Selector Hold Open
5. Where vertical adjustment is necessary, two (2) 1/16" thick shims are provided to be placed between arm and torque washer.
6. All dimensions are in inches.



WITH FLOOR PLATE
 Set Cement Case 1-1/4" Below Surface of Finished Floor

M19 SIDE JAMB PIVOT
 3/4" Offset Handed



Q27 Floor Closer
3/4" Offset
For 1-3/4" Doors Only



ASSA ABLOY

TEMPLATE NUMBER	REV	DATE
OS10090	3	12/21