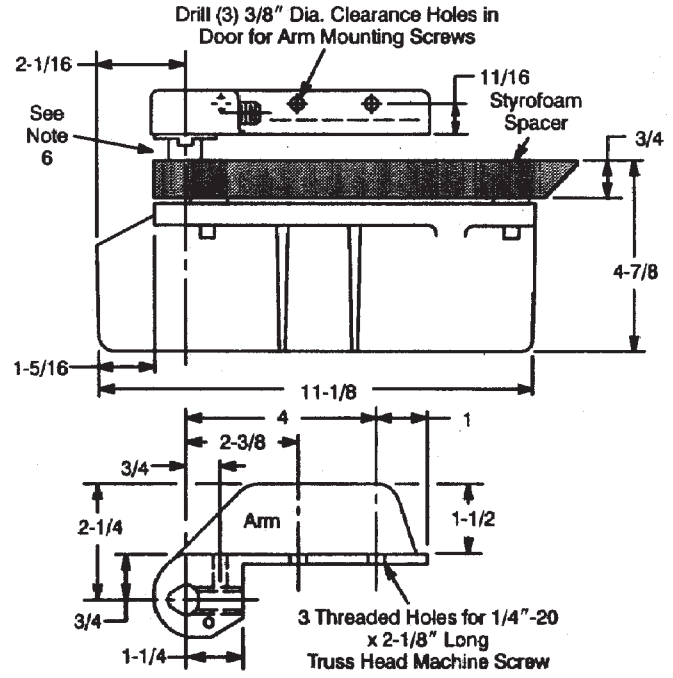
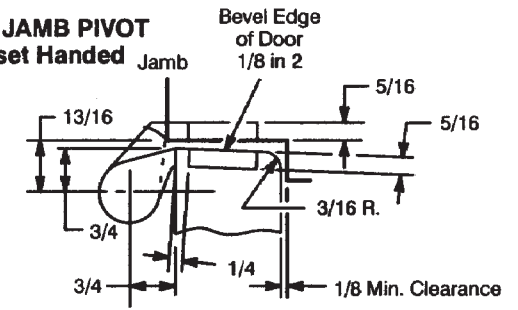
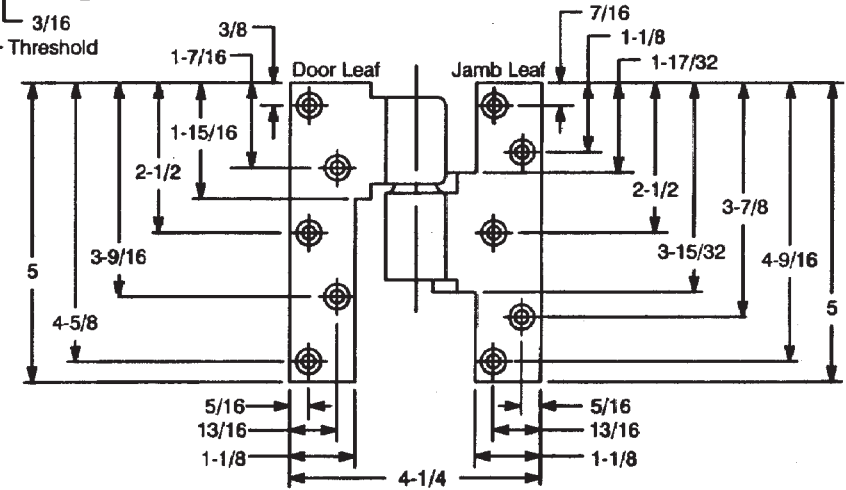


- Notes:**
1. Do not scale drawing.
  2. Right hand shown.
  3. This template for use only with 1-3/4" doors.
  4. QT27 Series  
 85° Max. Opening, Trim Permitting  
 90° Max. Opening, Trim Permitting  
 105° Max. Opening, Trim Permitting
  5. Suffix Letters:  
 A – Automatic Hold Open  
 S – Selector Hold Open
  6. Where vertical adjustment is necessary, two (2) 1/16" thick shims are provided to be placed between arm and torque washer.
  7. All dimensions are in inches.

**M19 SIDE JAMB PIVOT**  
 3/4" Offset Handed



**WITH THRESHOLD**  
 Set Cement Case 3/4" Below Surface of Finished Floor



**QT27 Floor Closer**  
**3/4" Offset With Threshold**  
**For 1-3/4" Doors Only**



TEMPLATE NUMBER	REV	DATE
<b>OS10100</b>	<b>3</b>	<b>12/21</b>