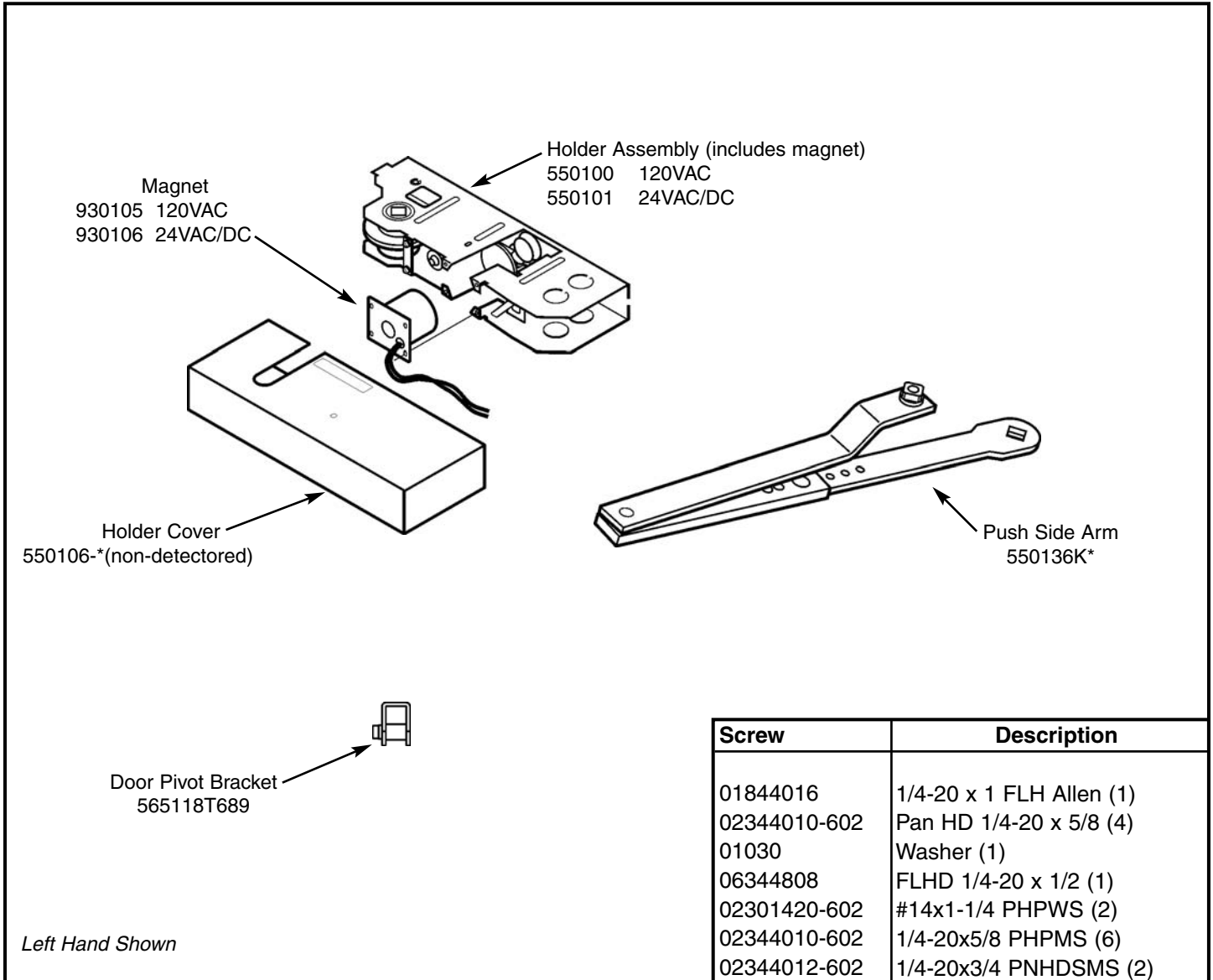


Model 0101

**Push Side Mounting
Independent Closing Means**

*85° thru Maximum Degree of Swing
Single Point Hold Open

***Not for Use on Doors that will be
Manually Closed on a Daily Basis***



General Information:

Non Handed

Door Hanging Means:

- Standard 4", 4-1/2", or 5" Butt Hinges
- 3/4" Offset Pivot
- For other means, contact factory

2" Minimum head frame

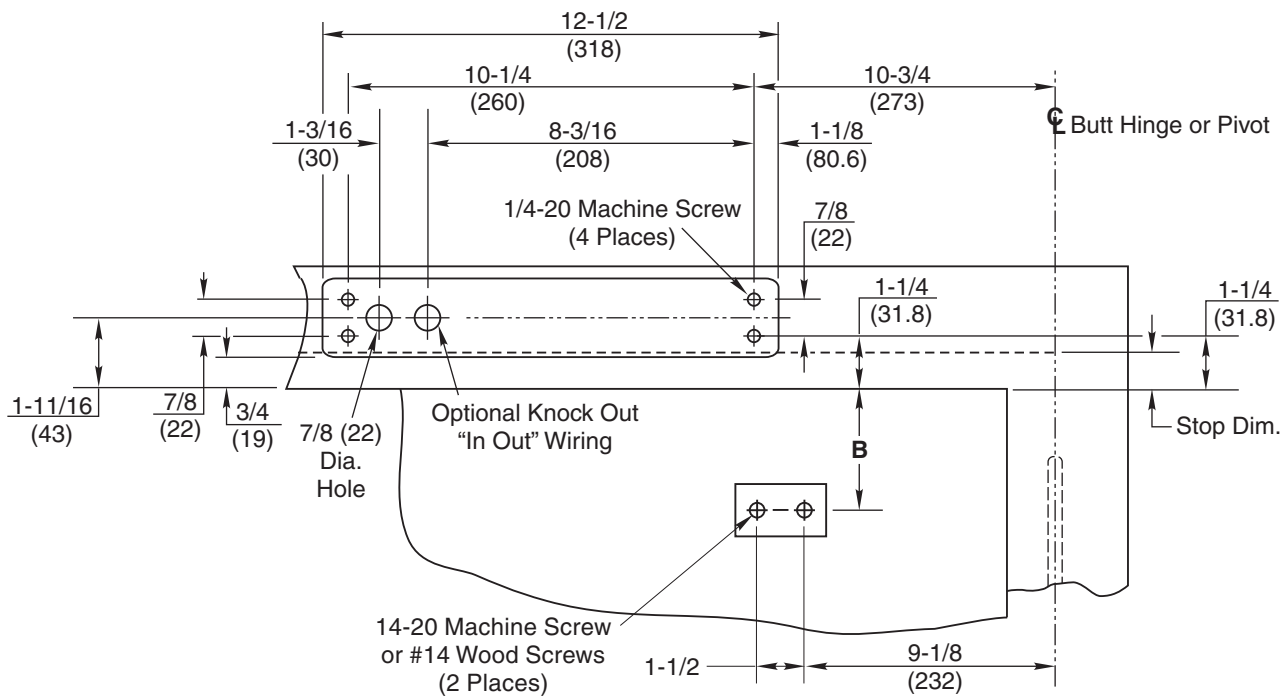
For frame face sizes less than 2", contact factory
Maximum reveal 3-1/2"

For reveals from 3-1/2 to 7", use arm 550789

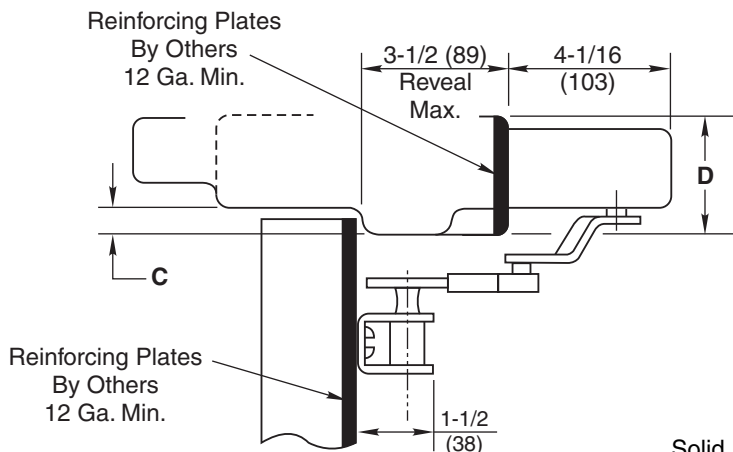
*For hold-open from 105° - 180°, use arm 550789
Door Closing Device by others

Mounting Hole Locations

- Right hand shown
- Door hanging means: 4", 4-1/2", 5" Butts or 3/4" Offset Pivots
- All dimensions given in inches (mm)



Stop Dim	B
1/2 (12.7)	1-3/4 (44.5)
5/8 (16)	1-7/8 (47.7)



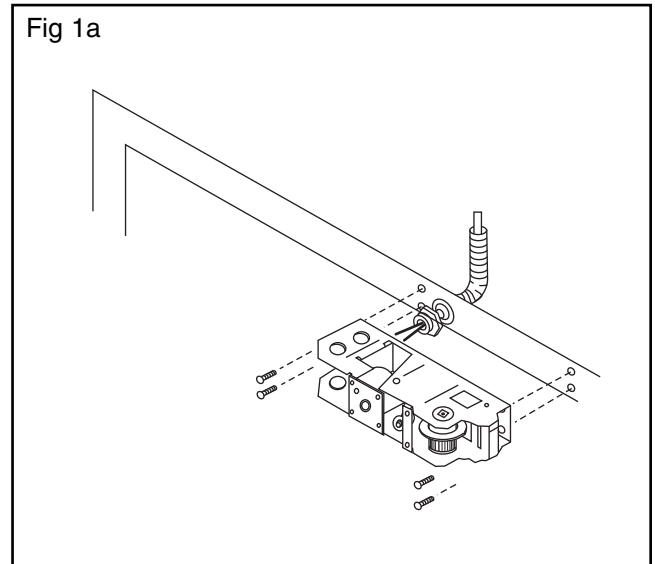
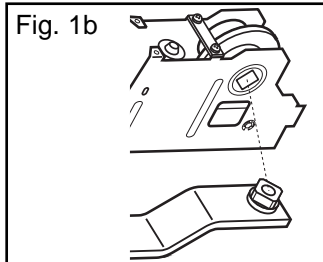
For Frame Less Than Shown On Chart Consult Factory

C	D
1/2 (12.7)	2-1/2 (63.5)
5/8 (16)	2-5/8 (67)

Solid Line Represents Double Egress Frame
Dotted Line Represents Standard Double Rabbeted Frame

1. Mounting Holder

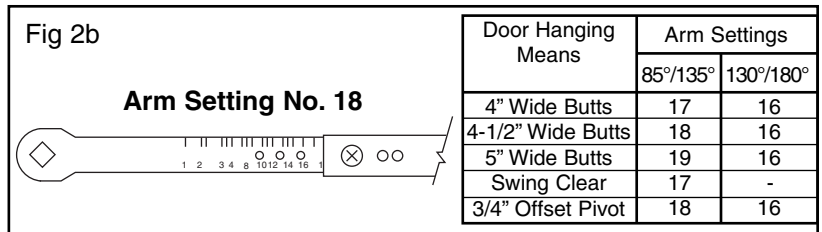
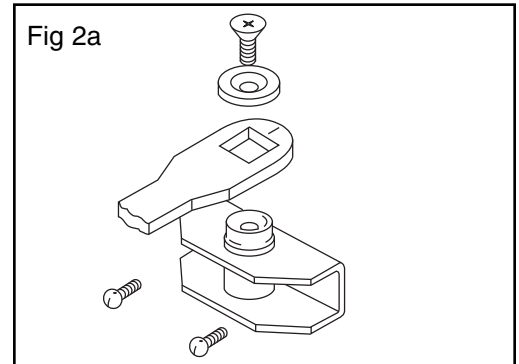
- A. Layout & prepare screw holes.
- B. Remove appropriate knock out in Smok-Chek & attach 3/8" (9.5) conduit fitting. (Fig. 1a)
- C. Push conduit back into frame.
- D. Attach holder with (6) 1/4-20 x 5/8 pan HD screws – tighten securely.
- E. Attach arm to holder with (1) 1/4-20 x 1 FHD allen screw. (Fig. 1b)



CAUTION: SQUARE ON ARM MUST BE INSERTED AND TIGHTENED INTO HOLDER VERY SECURELY BEFORE ARM IS ATTACHED TO SPINDLE OF CLOSER.

2. Mounting Door Pivot Bracket

- A. Mount door bracket to door and fasten with two 1/4-20x1/2" RDH or #14x1-1/4 Pan HD screws.
- B. Slide bracket arm into holder arm.
- C. Attach arm to bracket spindle with washer and 1/4-28x1/2" FLH screws. (Fig. 2a)
- D. Position arm as per suggested arm settings listed in chart. (Fig. 2b)
- E. Assemble holder and bracket arms together with the 1/4-20x5/16" RDH screws.



BEFORE BEGINNING WIRING, INSTALLER MUST BE GROUNDED!

3. Electrical Wiring

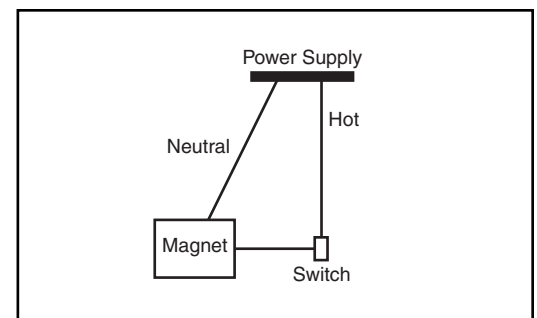
Field Wires should be 18ga OR as required by local code

- A. Connect switch – in series – with HOT lead of electromagnet.

Note:

120vAC draws .018 amp

24vAC/DC draws .091 amp



4. Making Adjustments to the Holder

- A. Closer spring force should be as low as possible. (Closer should arrive at lowest setting).
- B. Turn **OFF** Power (using ON/OFF switch).
- C. To set Hold Open:
 1. Door should be in **CLOSED** position.
 2. Raise or lower cam until the word "Push" is displayed from the **UNDERSIDE** of the unit (Fig 4a).
 3. Open door to desired Hold Open position.
 4. Raise or lower cam and **ROTATE** until pocket of cam is in position next to Roller A shown in Fig 4b
 5. **Release cam to re-engage teeth.**
 6. Turn **ON** power (using ON/OFF switch).
 7. **OPEN DOOR.** Door should stay in Hold Open position—if not, repeat Steps 3 and 4.
 8. Pull door **OUT** of Hold Open—door should close freely.
 9. **OPEN DOOR.** If releasing force needs to be increased, turn adjusting nut **IN**. If lesser holding force is desired, turn nut **OUT**.
 10. Attach holder cover.

Fig 4a

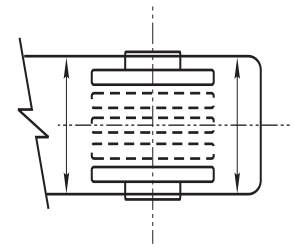
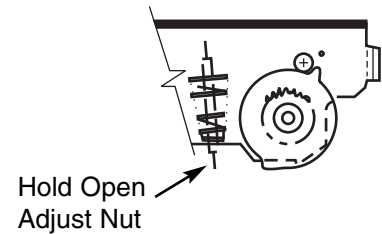


Fig 4b



Trouble-Shooting Tips:

1. Turn ON power.
2. Can door swing far enough to engage hold open? Minimum opening is 85°.
3. Make sure closer is at lowest spring setting.
4. Put piece of metal against the magnet to make sure it is receiving current.
5. If not, double check wiring instructions.
6. If so, with door in closed position look up at holder mechanism. Word PUSH should be visible, if not, adjust cam.
7. Turn adjusting nut.
8. Check arm indexing.

RIXSON[®]
ASSA ABLOY

Copyright © 2003, 2009, 2024, ASSA ABLOY Accessories and Door Controls Group, Inc. All rights reserved. Reproduction in whole or in part without the express written permission of ASSA ABLOY Accessories and Door Controls Group, Inc. is prohibited.