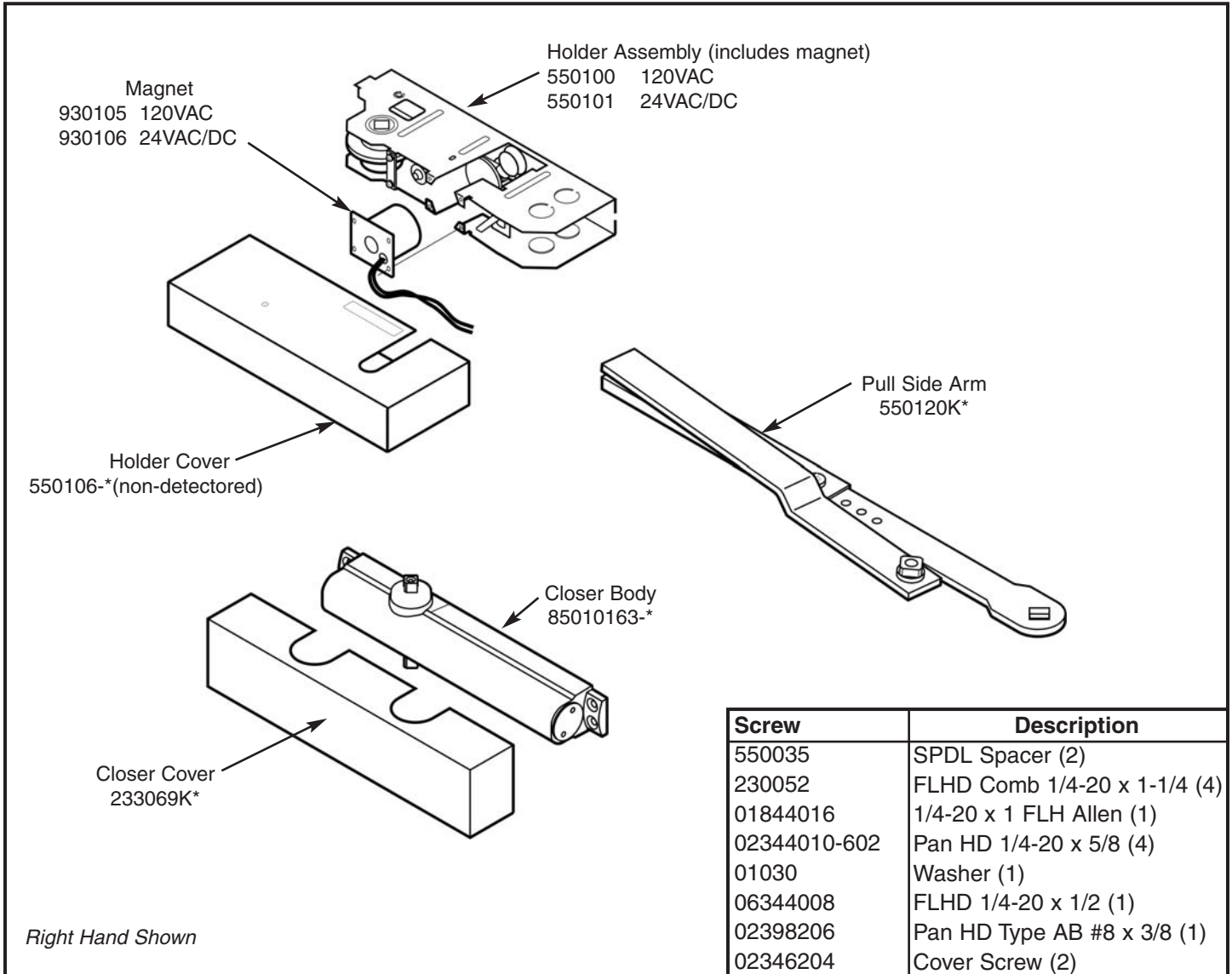


## Model 0600K

### Pull Side Mounting

\*85° thru 135° Maximum Degree of Swing  
Single Point Hold Open

***Not for Use on Doors that will be Manually Closed on a Daily Basis***



### General Information:

Non Handed

Door Hanging Means:

- Standard 4", 4-1/2", or 5" Butt Hinges
- 3/4" Offset Pivot
- Swing Clear Hinges
- For other means, contact factory

2" Minimum head frame

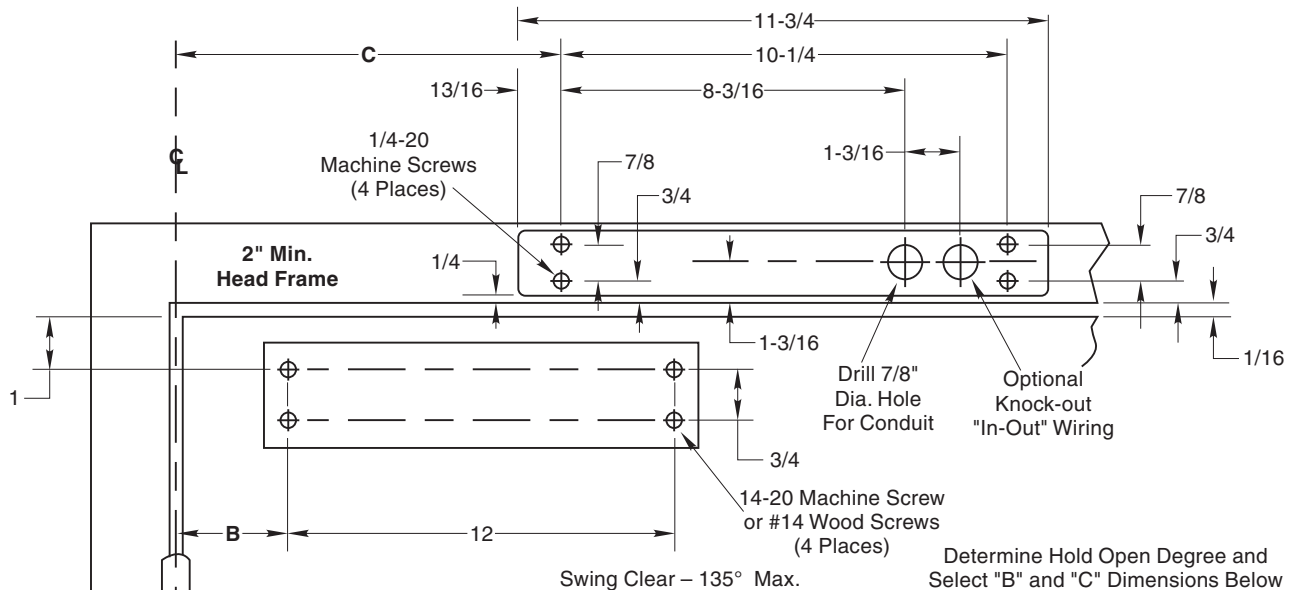
For frame face sizes less than 2", contact factory

Maximum reveal 1/8"

\*See chart for greater degree of swing

## Mounting Hole Locations

- Right hand shown
- Door hanging means: 4", 4-1/2", 5" Butts or Swing Clear Hinges or 3/4" Offset Pivots
- All dimensions given in inches (mm)

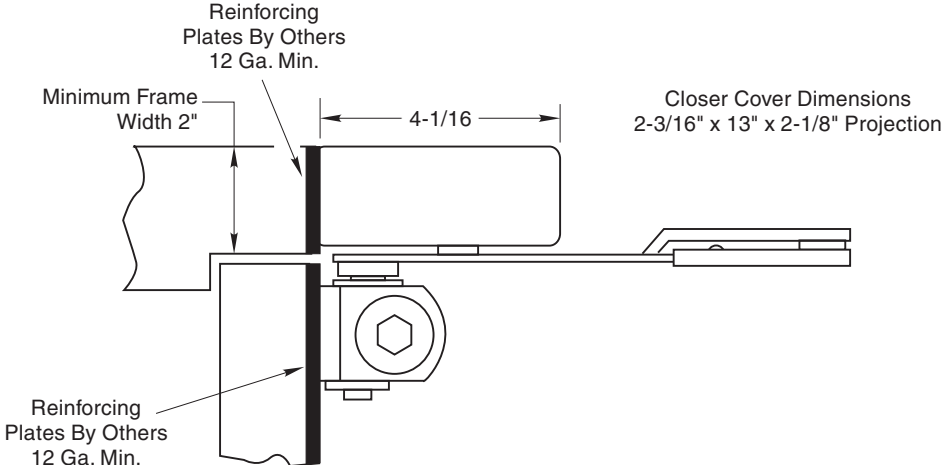


Butt Size (W)	Maximum Opening	
	Flush	1/8" Reveal
4-1/2	150°	145°
5	170°	165°
6	180°	175°

Determine Hold Open Degree and Select "B" and "C" Dimensions Below

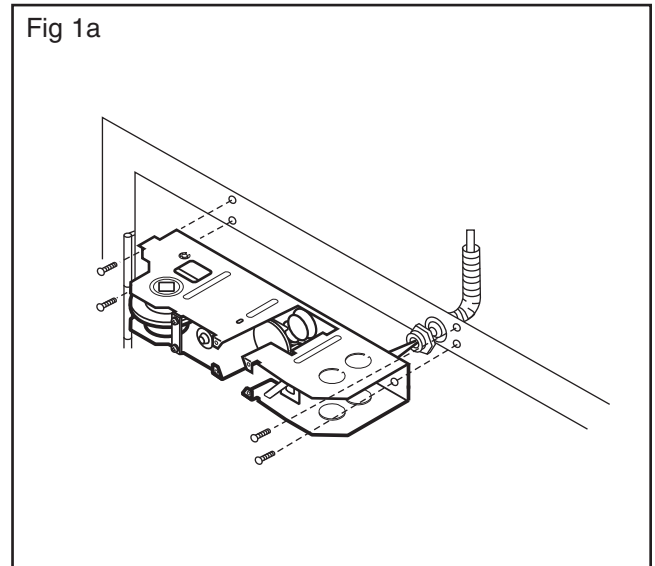
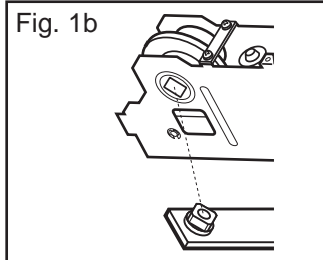
H. O. Range	B	C
85° – 135°	4-1/2	11-1/2
130° – 180°	2-1/2	9-1/4

**CAUTION:** Do not exceed 135° in 85° – 135° range "B" and "C" taken from centerline of butts or pivots.



## 1. Mounting Holder

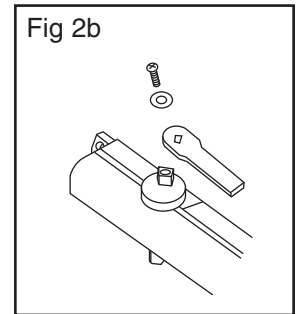
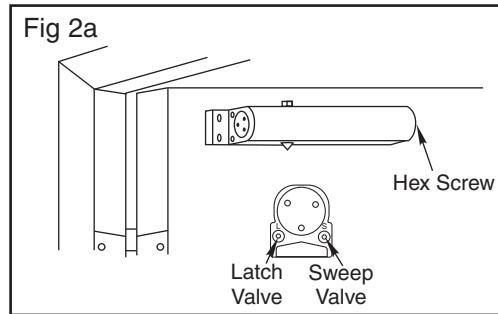
- Layout & prepare screw holes.
- Remove appropriate knock out in Smok-Chek & attach 3/8" (9.5) conduit fitting. (Fig. 1a)
- Push conduit back into frame.
- Attach holder with (6) 1/4-20 x 5/8 pan HD screws – tighten securely.
- Attach arm to holder with (1) 1/4-20 x 1 FHD allen screw. (Fig. 1b)



**CAUTION: SQUARE ON ARM MUST BE INSERTED AND TIGHTENED INTO HOLDER VERY SECURELY BEFORE ARM IS ATTACHED TO SPINDLE OF CLOSER.**

## 2. Mounting Closer

- Mount closer with sweep and latch valves toward hinge edge of door. (Fig. 2a)
- Affix closer to door with (4) 1/4-20 x 3/4 FLH PR #14 x 1-1/2 FLWD
- Slide closer arm into holder arm sleeve. (Fig. 2c)
- Attach arm to closer spindle with washer and 1/4-28 x 1/2 FLH (Fig. 2b)
- Position arm at arm setting 18 (Fig. 2c - see chart)
- Do not** preload arm on closer.



Door Hanging Means	Arm Settings	
	85°/135°	130°/180°
4" Wide Butts	17	18
4-1/2" Wide Butts	18	18
5" Wide Butts	19	18
Swing Clear	17	-
3/4" Offset Pivot	18	18

**BEFORE BEGINNING WIRING, INSTALLER MUST BE GROUNDED!**

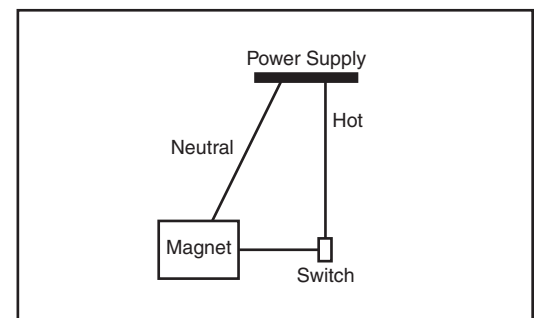
## 3. Electrical Wiring

Field Wires should be 18ga OR as required by local code

- Connect switch – in series – with HOT lead of electromagnet.

Note:

120vAC draws .018 amp  
24vAC/DC draws .091 amp



## 4. Making Adjustments to the Holder

- A. Closer spring force should be as low as possible. (Closer should arrive at lowest setting).
- B. Turn **OFF** Power (using ON/OFF switch).
- C. To set Hold Open:
  1. Door should be in **CLOSED** position.
  2. Raise or lower cam until the word "Pull" is displayed from the **UNDERSIDE** of the unit (Fig 4a).
  3. Open door to desired Hold Open position.
  4. Raise or lower cam and **ROTATE** until pocket of cam is in position next to Roller A shown in Fig 4b
  5. **Release cam to re-engage teeth.**
  6. Turn **ON** power (using ON/OFF switch).
  7. **OPEN DOOR.** Door should stay in Hold Open position—if not, repeat Steps 3 and 4.
  8. Pull door **OUT** of Hold Open—door should close freely.
  9. **OPEN DOOR.** If releasing force needs to be increased, turn adjusting nut **IN**. If lesser holding force is desired, turn nut **OUT**.

Fig 4a

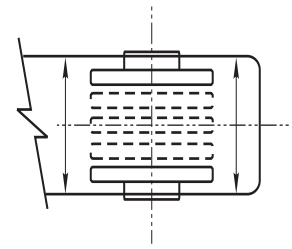
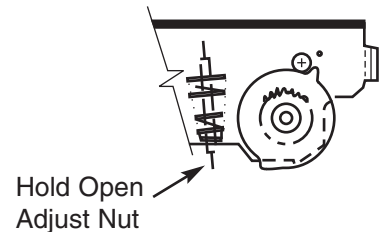


Fig 4b



### Trouble-Shooting Tips:

1. Turn ON power.
2. Can door swing far enough to engage hold open? Minimum opening is 85°.
3. Make sure closer is at lowest spring setting.
4. Put piece of metal against the magnet to make sure it is receiving current.
5. If not, double check wiring instructions.
6. If so, with door in closed position look up at holder mechanism. Word PULL should be visible, if not, adjust cam.
7. Turn adjusting nut.
8. Check arm indexing.

## 5. Closer Adjustments

- A. Manually pull door out of Hold Open.
- B. If closing force is too weak, turn adjusting nut on end of closer (Fig 5a) clockwise.
- C. Put door in Hold Open position.
- D. If door does not stay in Hold Open, re-adjust closing force until door latches but the force of the closer does **NOT** pull door out of Hold Open.
- E. Adjust closing speed. (Fig 5b)
- F. Adjust latch speed. (This speed should be slightly faster than closing speed.)
- G. Attach covers to closer and holder with screws provided.

Fig 5a

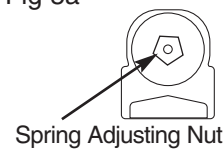


Fig 5b

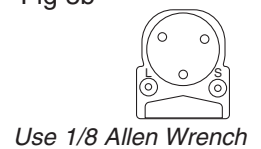
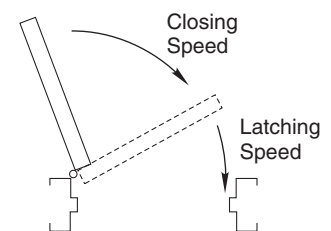


Fig 5c



**RIXSON**  
**ASSA ABLOY**

Copyright © 2003, 2009, 2024, ASSA ABLOY Accessories and Door Controls Group, Inc. All rights reserved. Reproduction in whole or in part without the express written permission of ASSA ABLOY Accessories and Door Controls Group, Inc. is prohibited.