

Model 0601K SMOK-CHEK® V Push Side Installation Instructions

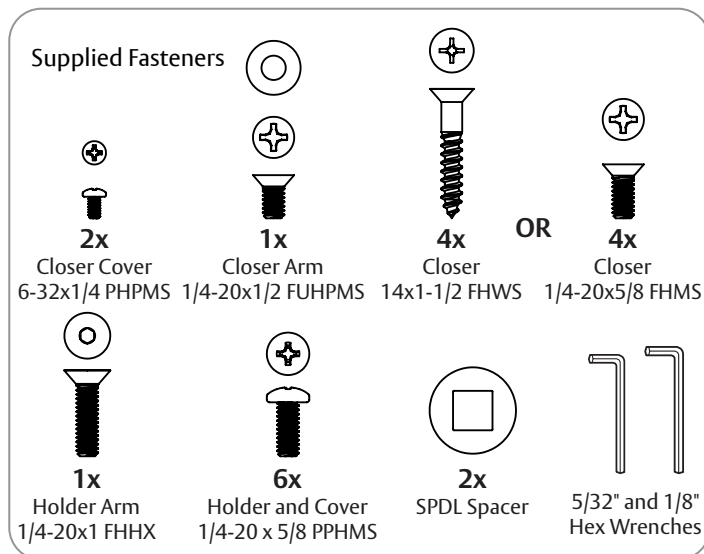
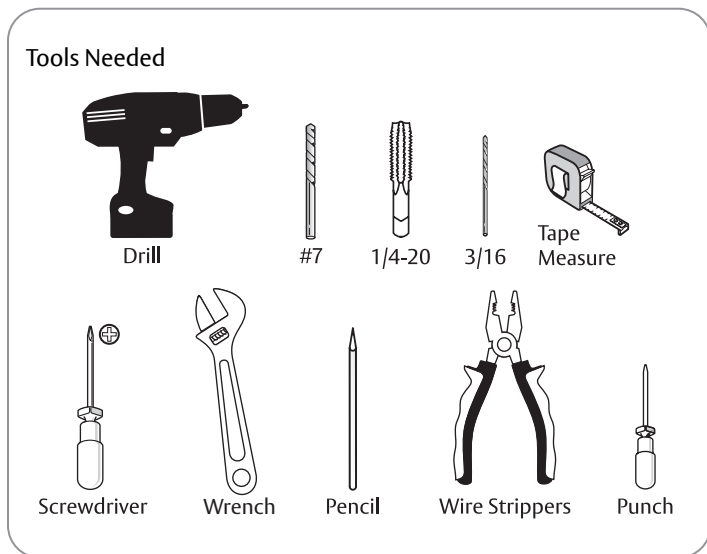
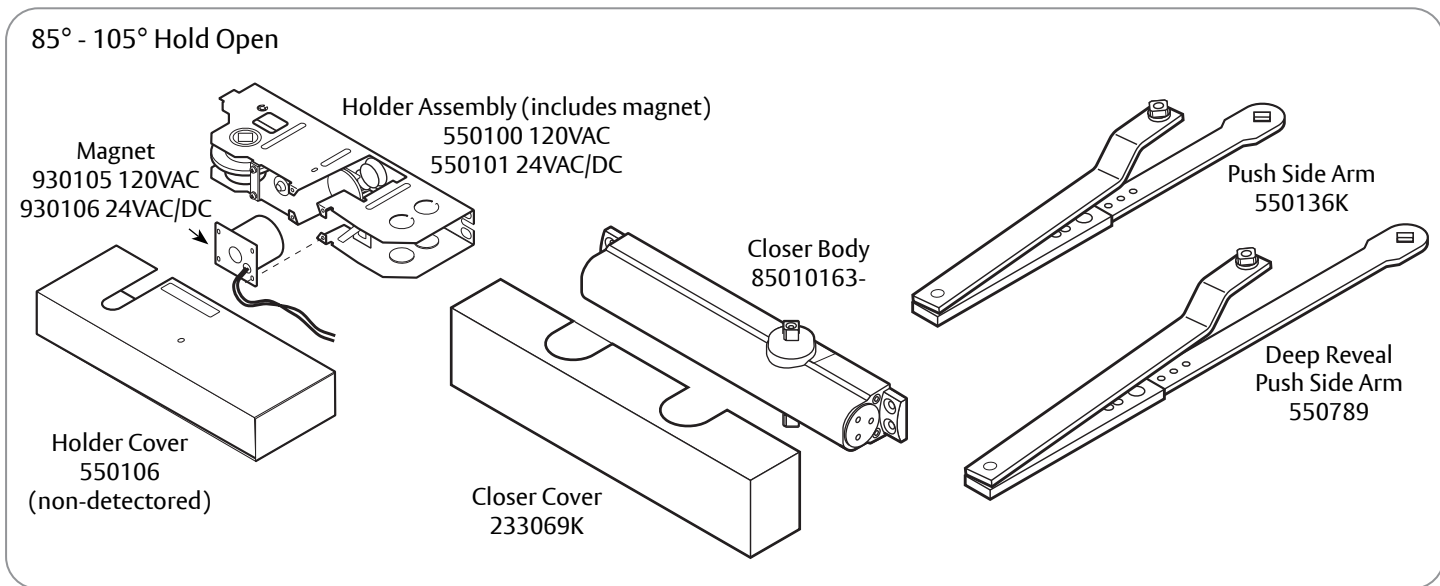
RIXSON
ASSA ABLOY

A Fire/Life Safety Holder/Closer Product

⚠️ WARNING

This product can expose you to lead which is known to the state of California to cause cancer and birth defects or other reproductive harm. For more information go to www.P65warnings.ca.gov.

⚠️ **Not For Use On Doors That Will Be Manually Closed On A Daily Basis**



General Information:

Non Handed

Door Hanging Means:

- Standard 4", 4-1/2", or 5" Butt Hinges
- 3/4" Offset Pivot
- For other means, contact factory

2" Minimum head frame

• For frame face less than 2", contact factory
Maximum reveal 3-1/2"

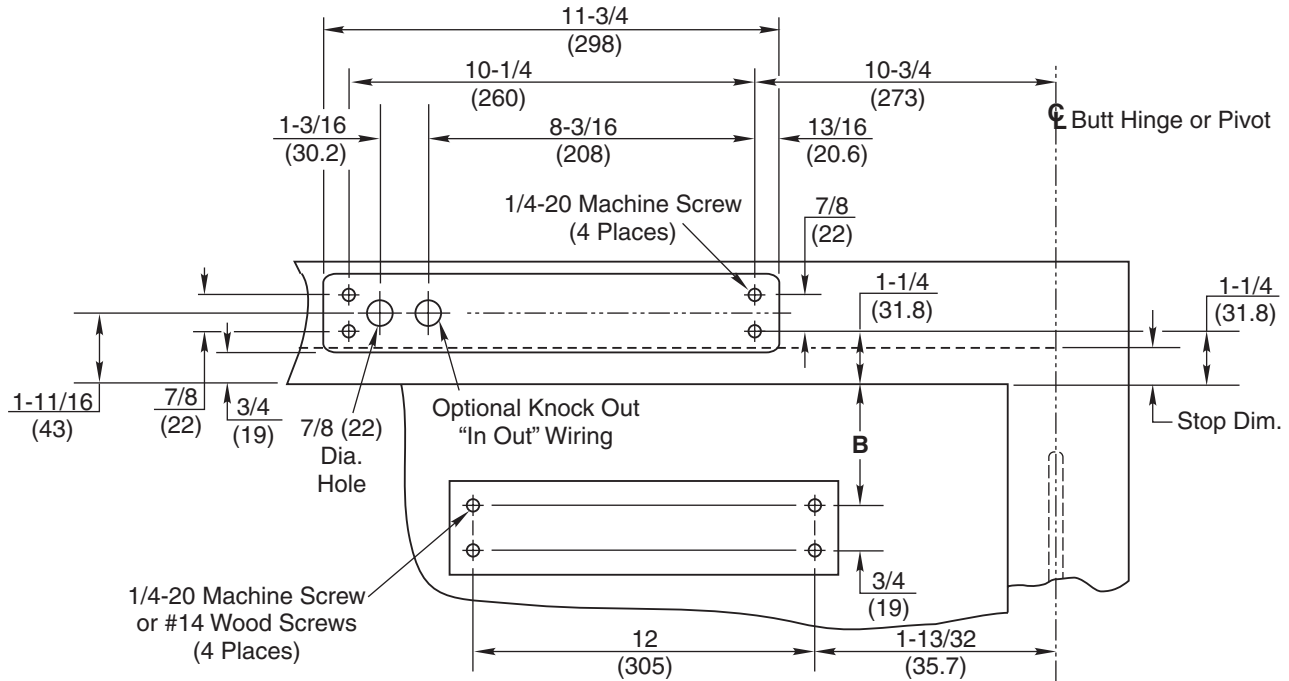
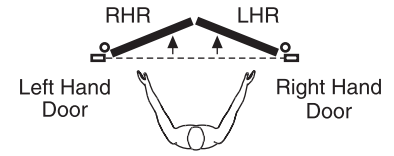
• For reveals 3-1/2" - 5-1/2", use arm 550789.

This arm allows for 150° hold open on 3-1/2" reveals and 135° hold open on 5-1/2" reveals.

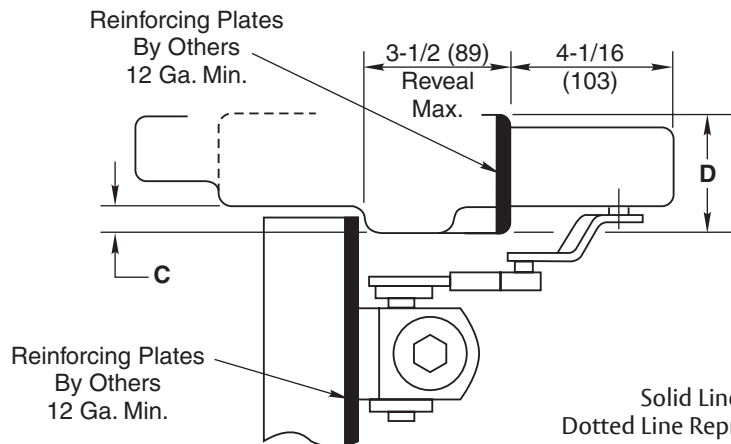
Prepare Frame and Door

Mounting Hole Locations

- Right hand shown
- Door hanging means: 4", 4-1/2", 5" Butts or 3/4" Offset Pivots
- All dimensions given in inches (mm)



Stop Dim	B
1/2 (12.7)	2-5/16 (59)
5/8 (16)	2-7/16 (62)
3/4 (19)	2-9/16 (65)



Closer Cover Dimensions
2-3/16" x 13" x 2-1/8" Projection
(55.5) x (330) x (54)

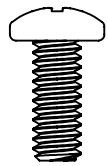
C	D
1/2 (12.7)	2-1/2 (63.5)
5/8 (16)	2-5/8 (67)
3/4 (19)	2-3/4 (70)

Solid Line Represents Double Egress Frame
Dotted Line Represents Standard Double Rabbeted Frame

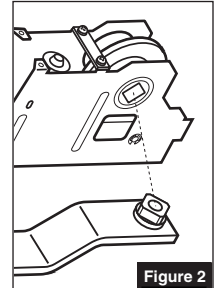
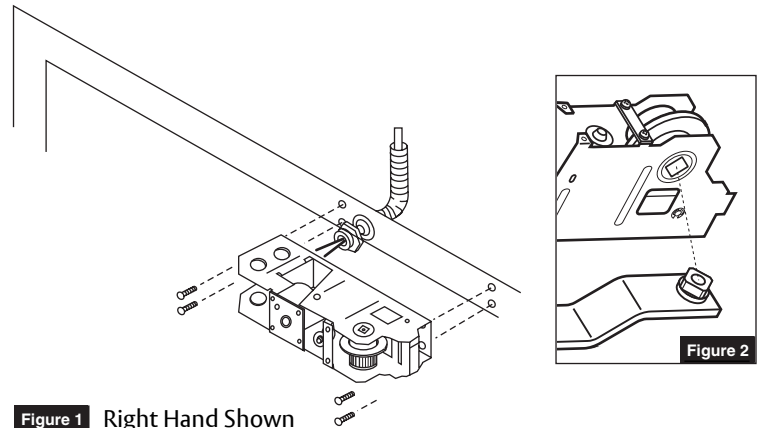
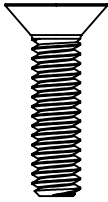
A. Mark and predrill mounting holes in frame and door.

Installation

A. Mount holder to frame.



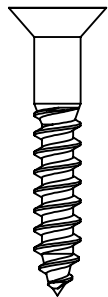
1. Remove appropriate knock out in holder and attach 3/8" (9.5) conduit fitting. (Figure 1)
2. Push conduit back into frame.
3. Secure holder to frame with four (4) 1/4-20 x 5/8" pan head screws and tighten. (Figure 1)
4. Using provided 5/32" hex wrench, attach arm to holder with one (1) 1/4-20 x 1" flat head hex screw. (Figure 2)



CAUTION: Square on arm must be inserted and tightened into holder very securely before arm is attached to spindle of closer.

Figure 1 Right Hand Shown

B. Mount closer to door.



1. Mount closer with spring adjustment nut toward hinge. (Figure 3)
2. Secure closer to door with four (4) 14 x 1-1/2" FHWS for wood or 1/4-20 x 5/8" FHMS for hollow metal
3. Slide closer arm into holder arm sleeve. (Figure 4)

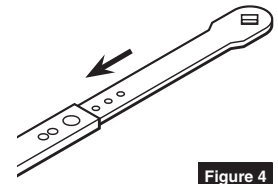
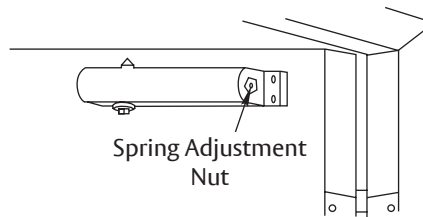
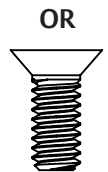


Figure 4



4. Attach assembled arm to closer spindle with washer and 1/4-20 x 1/2" FUHPMS. (Figure 5)

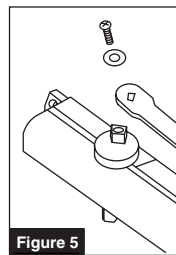


Figure 5

NOTE: If conditions require, add provided spacer(s) as needed to align arm to spindle.

5. Using chart, position arm at appropriate arm indexing. (Figure 6)

Arm Indexing			
Reveal	Arm Setting #	Hold Open	Arm
3-1/2 (89)	18	85° - 105°	Standard
3-1/2 (89)	17	85° - 150°	Deep Reveal
5-1/2 (140)	18	85° - 135°	Deep Reveal

Figure 6



CAUTION: Do not preload arm on closer.

Electrical Wiring



Installer Must Be Grounded Before Wiring!

Field Wires should be 18ga or as required by local code.

Connect switch – in series – with HOT lead of electromagnet. (Figure 7)

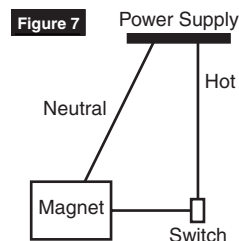


Figure 7

Note:
120vAC draws .017 amp
24vAC/DC draws .080 amp

The ASSA ABLOY Group is the global leader in access solutions. Every day we help people feel safe, secure and experience a more open world.

Holder Adjustments

i Closer spring force should be as low as possible.
NOTE: Closer shipped at lowest setting.

1. Turn off power on holder ON/OFF switch. (Figure 8)
2. Set Hold Open:
 - a. Make sure door is closed.
 - b. Raise or lower cam until the word "Push" is visible from the underside of unit.
 - c. Open door to desired Hold Open position.
 - d. Raise or lower cam and rotate until pocket of cam is in position next to roller. (Figure 9)
 - e. Release cam to re-engage teeth.
 - f. Turn on power on holder ON/OFF switch. (Figure 8)
 - g. Open door.
NOTE: Door should stay in Hold Open position. If it moves, repeat steps 1 and 2.
 - h. Manually pull door out of Hold Open.
NOTE: Door should close freely.
 - i. Open door.

i NOTE: If closing force needs to be adjusted, see Closer Adjustments below.

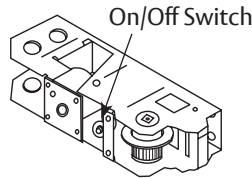


Figure 8

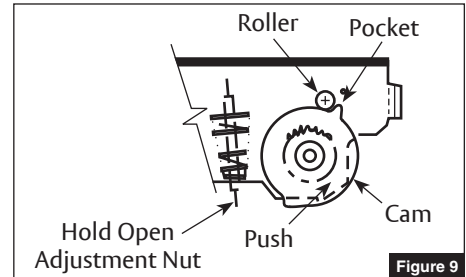


Figure 9

Troubleshooting Tips:

With power on.

1. Can door swing far enough to engage Hold Open?
Minimum opening is 85°.
2. Make sure closer is at lowest spring setting.
3. Place piece of metal against magnet to make sure it is receiving current.
If not, double check wiring instructions.
If so, with door in closed position, look up at holder mechanism and verify the word PUSH is visible. If not, adjust cam.
4. Adjust hold open nut. Figure 9
5. Check arm indexing. Figure 6

Closer Adjustments

1. Manually pull door out of Hold Open.

NOTE: If closing force is too weak, turn spring adjustment nut on end of closer clockwise. (Figure 10)

2. Open door to Hold Open position.

NOTE: If door does not stay in Hold Open, re-adjust closing force until door latches but does not pull door out of Hold Open.

3. Adjust closing speed. (Figure 11)
4. Adjust latch speed. (Figure 11)

NOTE: This speed should be slightly faster than closing speed.

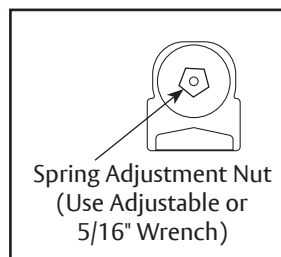


Figure 10

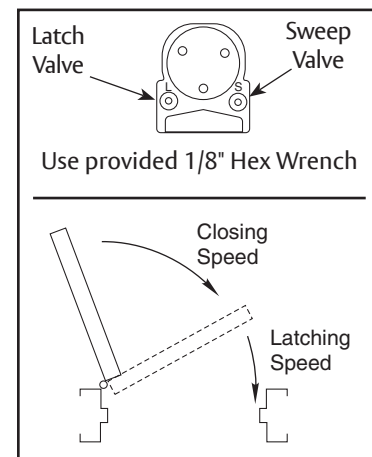


Figure 11

Attach Covers with Screws Provided

Rixson Technical Product Support:
Monroe, NC 28112 USA
Phone: 800.438.1951 ext: 6030
TechSupport.Rixson@assaabloy.com
rixson.com

Rixson is a brand associated with ASSA ABLOY Accessories and Door Controls Group, Inc., an ASSA ABLOY Group company. Copyright © 2005, 2009, 2020, ASSA ABLOY Accessories and Door Controls Group, Inc. All rights reserved. Reproduction in whole or in part without the express written permission of ASSA ABLOY Accessories and Door Controls Group, Inc. is prohibited.