

Notes:

1. Do not scale drawing.
2. All dimensions given in inches.
3. Right hand door shown.
4. Door hanging means: Standard 4", 4-1/2", 5" Butt or Swing Clear Hinges or 3/4" Offset Pivots.
5. Other hanging means require special installation instructions. Contact factory.
6. For 90° Hold Open – 3-3/8" clearance required between pull side of door and wall.

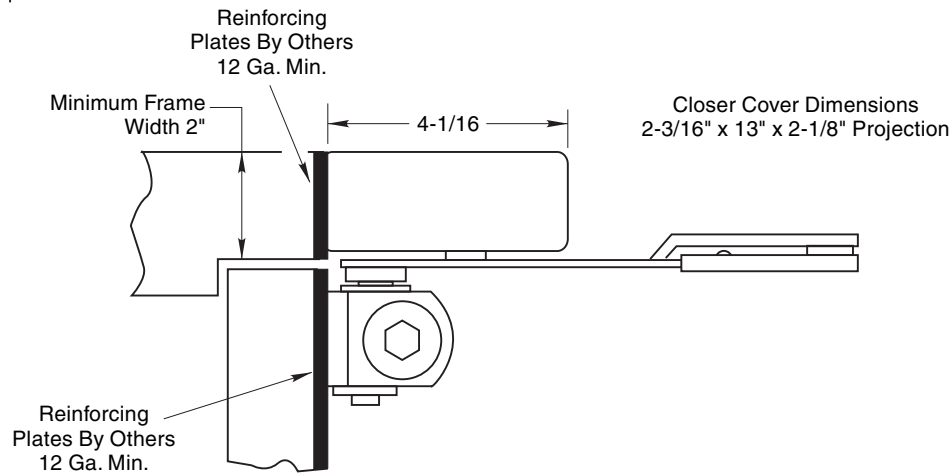
Swing Clear – 135° Max.

Butt Size (W)	Maximum Opening	
	Flush	1/8" Reveal
4-1/2	150°	145°
5	170°	165°
6	180°	175°

Determine Hold Open Degree and Select "B" and "C" Dimensions Below

H. O. Range	B	C
85° – 135°	4-1/2	11-1/2
130° – 180°	2-1/2	9-1/4

CAUTION: Do not exceed 135° in 85° – 135° range "B" and "C" taken from centerline of butts or pivots.



**Smok-Chek V Without Detector
 FM-0600 Series
 Pull Side Mounting
 85° Thru Maximum Degree Hold Open**

Approved 2023-12-15



ASSA ABLOY

TEMPLATE NUMBER	REV	DATE
SC90120	3	01/22