

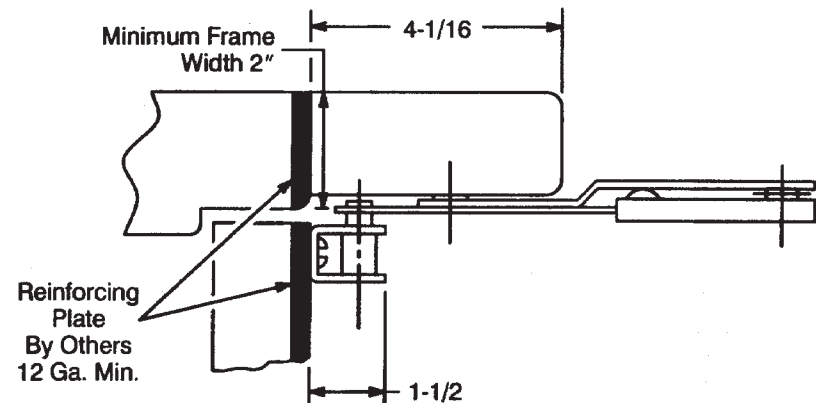
**Notes:**

1. Do not scale drawing.
2. All dimensions are given in inches.
3. Right hand door shown.
4. Door hanging means: Butt Hinges, Swing Clear Hinges, or 3/4" Offset Pivots.
5. Other hanging means require special installation instructions. Contact factory.
6. Select proper closer template for independent closer mounting.

Determine Hold Open Degree and Select "B" and "C" Dimensions Below

H.O. RANGE	B	C
85° - 135°	8-1/8	11-1/2
130° - 180°	6-1/8	9-1/4

**CAUTION:** Do not exceed 135° in 85° - 135°. Range "B" and "C" taken from centerline of butts or pivots.



**Smok-Chek V Without Detector  
 FM-0100**

**Pull Side Mounting for Independent Closer Mounting  
 85° Thru Maximum Degree Hold Open**



**ASSA ABLOY**

TEMPLATE NUMBER	REV	DATE
<b>SC90100</b>	<b>3</b>	<b>01/22</b>