

UNI-7500 (DA) (H) Series Unitrol® Door Closer

Non Hold Open or Hold Open, Parallel Arm Installation Instructions



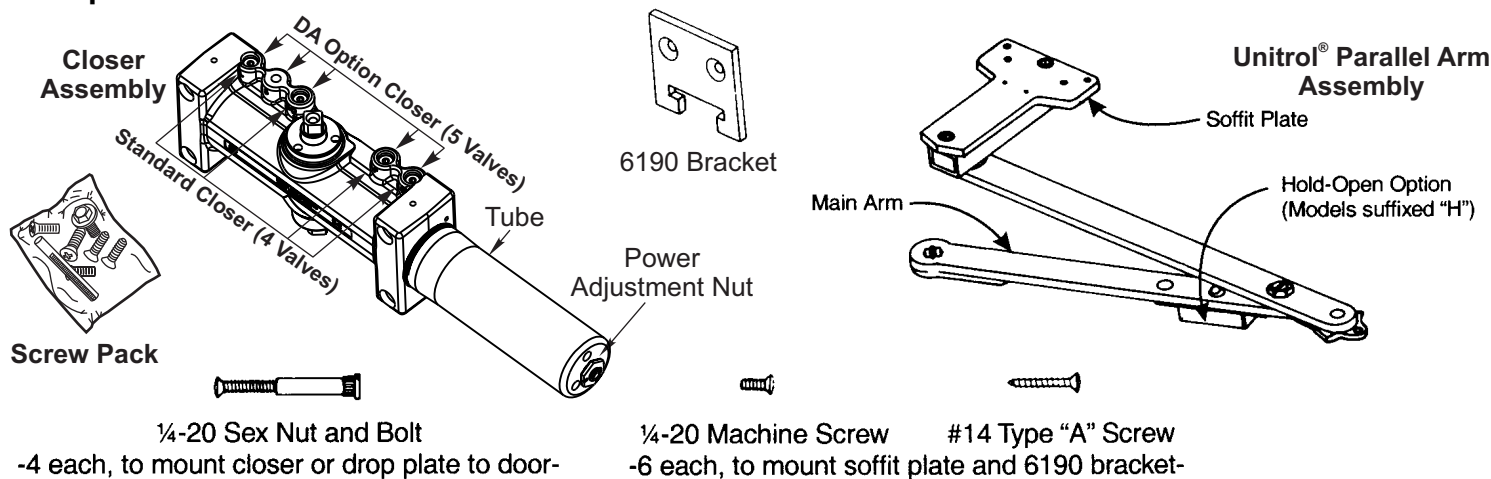
ASSA ABLOY

⚠ WARNING

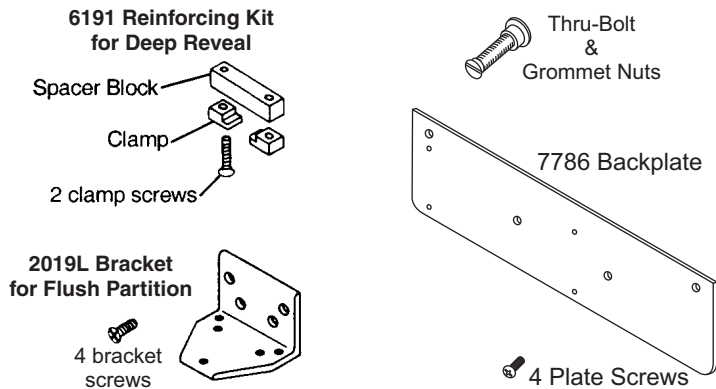
This product can expose you to lead which is known to the state of California to cause cancer and birth defects or other reproductive harm. For more information go to www.P65warnings.ca.gov.

CAUTION An incorrectly installed or improperly adjusted door closer can cause property damage or personal injury. These instructions should be followed to avoid the possibility of misapplication or misadjustment. **CAUTION**

Components

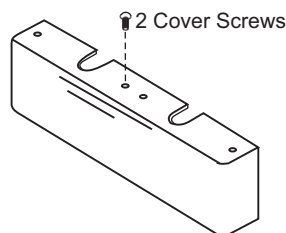


Optional

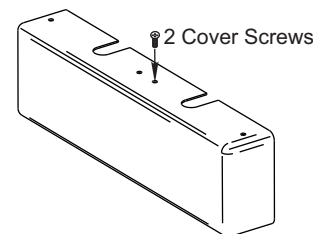


Cover Options

Plastic Cover (Standard)



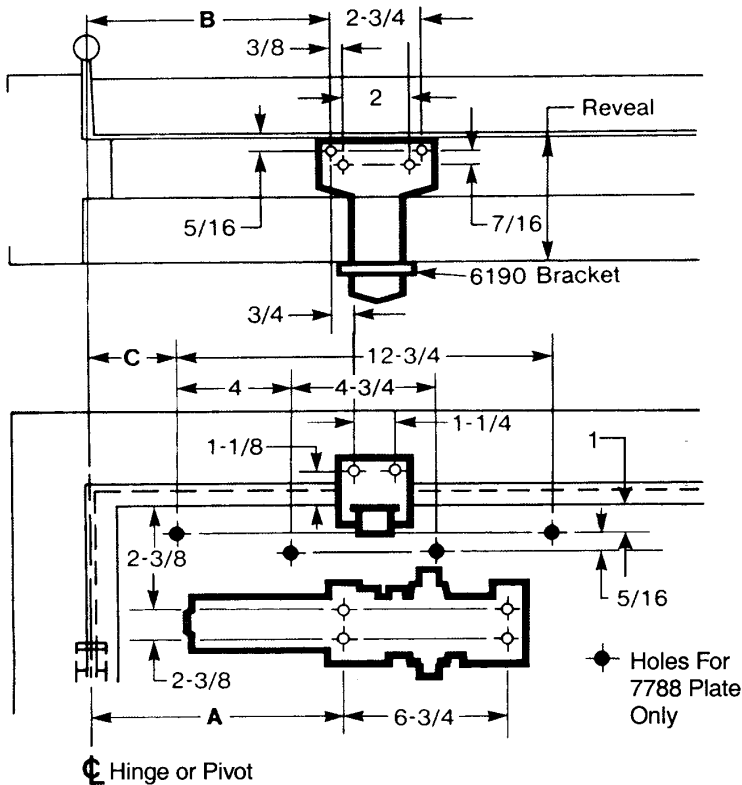
Metal Cover (Optional)



- Use these instructions for installing all models of these series on 1-3/4" (45mm) doors hung on 4-1/2" (114mm) wide hinges or 3/4" (19mm) offset pivots.
- DOOR WIDTH determines the location of the closer. Use ONLY the template chart corresponding to your door width.
- Use ONLY the dimensions given in each template chart for the door total OPENING angle or the HOLD-OPEN angle desired.
- Unitrol® parallel arms are supplied in one of three lengths, according to door width specified on order. To verify that the ARM you have is CORRECT FOR THE DOOR WIDTH, check the number stamped on the arm against the chart.

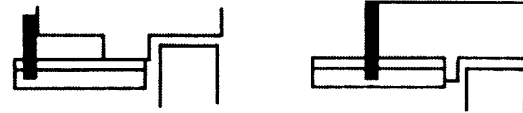
DOOR WIDTH	Non-Holder Arm	Hold-Open Arm
28"-32" 0.70-0.80M	6100-11	6100-1
33"-41" 0.85-1.00M	6100-13	6100-3
42"-48" 1.05-1.20M	6100-14	6100-4

Frame Template for 1-7/8 to 4-5/8 Reveals
Door Template Typical for All Installations



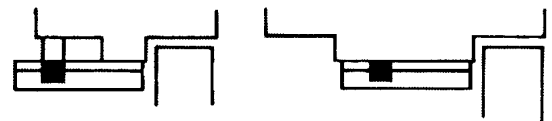
Template Information

- Door template is typical for all installations.
- Frame template must be selected according to reveal.
- 1-7/8 to 4-5/8 Frame Reveals (Uses 6190 Bracket).



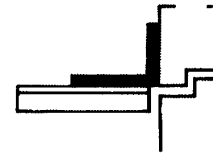
Frame Template: Page 2

- Frame Reveals Over 4-5/8 (Uses 6190 Clamp Kit).



Frame Template: Page 3

- Flush Partitions (Uses 2019L Bracket).



Frame Template: Page 3

DIMENSIONS FOR DOORS 28" TO 32" WIDE				
Opening		Dimension A	Dimension B	Dimension C
Hold-Open	Stop			
85°	90°	10-1/4	10-1/2	4-1/2
90°	95°	9-5/8	9-7/8	3-7/8
95°	100°	9-1/8	9-3/8	3-3/8
100°	105°	8-3/4	9	3
105°	110°	8-3/8	8-5/8	2-5/8
110°	115°	8	8-1/4	2-1/4

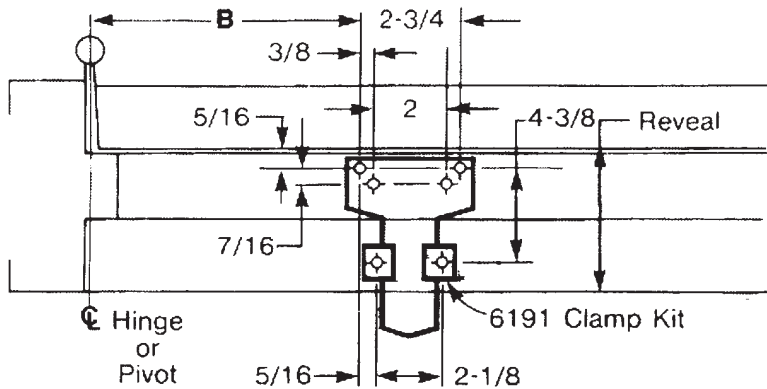
DIMENSIONS FOR DOORS 33" TO 41" WIDE				
Opening		Dimension A	Dimension B	Dimension C
Hold-Open	Stop			
85°	90°	12-3/4	12-7/8	7
90°	95°	12	12-1/8	6-1/4
95°	100°	11-1/2	11-5/8	5-3/4
100°	105°	10-7/8	11	5-1/8
105°	110°	10-1/2	10-5/8	4-3/4
110°	115°	10	10-1/8	4-1/4

DIMENSIONS FOR DOORS 42" TO 48" WIDE				
Opening		Dimension A	Dimension B	Dimension C
Hold-Open	Stop			
85°	90°	14-7/8	15-1/8	9-1/8
90°	95°	14	14-1/4	8-1/4
95°	100°	13-3/8	13-5/8	7-5/8
100°	105°	12-3/4	13	7
105°	110°	12-1/4	12-1/2	6-1/2
110°	115°	11-7/8	12-1/8	6-1/8

- Dimension charts on this page are typical for all templates.
- Do not scale drawing.
- Left hand door shown.
- Dimensions are in inches.
- Metric conversion chart below.
- Fastener specifications on Page 3.

inches	mm	inches	mm	inches	mm	inches	mm
5/16	8.0	2-3/4	69.9	8-3/8	213	11-7/8	302
3/8	9.5	3	76	8-5/8	219	12	305
7/16	11.1	3-3/8	86	8-3/4	222	12-1/8	308
1/2	12.7	3-7/8	98.5	9	229	12-1/4	311
3/4	19.1	4	101.6	9-1/8	232	12-1/2	318
1	25	4-1/4	108	9-3/8	238	12-3/4	323.9
1-1/8	29	4-3/8	111	9-5/8	244	12-7/8	327
1-1/4	31.8	4-1/2	114	9-7/8	251	13	330
1-1/2	38.1	4-3/4	120.7	10	254	13-3/8	340
1-3/4	44	5-1/8	130	10-1/8	257	13-5/8	346
1-7/8	48	5-3/4	146	10-1/4	260	14	356
2	50.8	6-1/4	159	10-1/2	267	14-1/4	362
2-1/8	54	6-3/4	171.5	10-5/8	270	14-7/8	378
2-1/4	57	7	177.8	10-7/8	276	15-1/8	384
2-3/8	60.5	8	203	11-1/2	292		
2-5/8	67	8-1/4	210	11-5/8	295		

Frame Template for Reveals Over 4-5/8
Door Template on Page 2



Installation Sequence

- **Read Front Page.**
 Installation ground rules and components identification are on this page.

- **Match hardware to opening.**
 Follow "Template Information" on Page 2.

- **Mark mounting holes location.**
 Use dimensions for hold-open or door stop angle desired. Mark position of 4 holes on door for closer (or drop plate) and 6 holes on frame for soffit plate (or 4 for 2019L angle bracket).

- **Prepare holes for fasteners.**
 See chart below.

- **Mount closer to door.**
 Drop plate first, if used. Place spring tube end toward the hinge edge of the door; closer with valves up for right hand door, with valves down for left hand door.

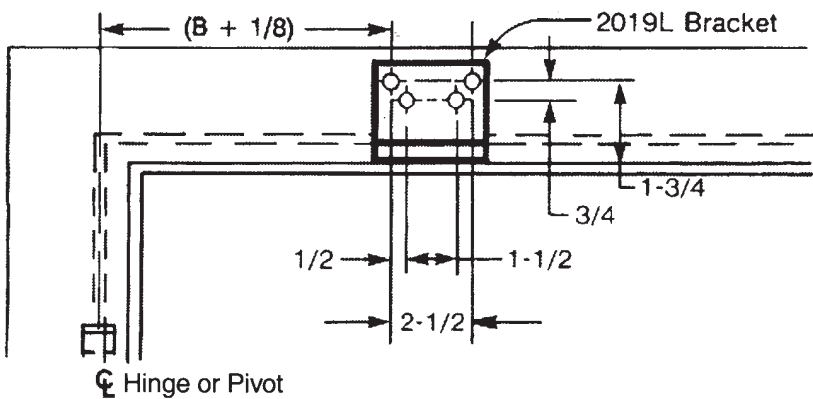
- **Mount arm to frame.**
 Fasten soffit plate (or angle bracket if flush partition) to frame. Mount 6190 bracket or 6191 clamps to hold soffit plate flat.

- **Install arm on pinion top.**
 Close valve "S". Rotate pinion over 45° to align main arm letter "R" (right hand) or "L" (left hand) with pinion flat. Fasten with arm screw. See "Typical Installation" figure below.

- **Adjust closer.**
 See "Unit Adjustment" on page 4.

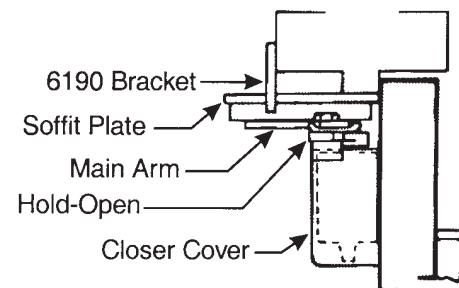
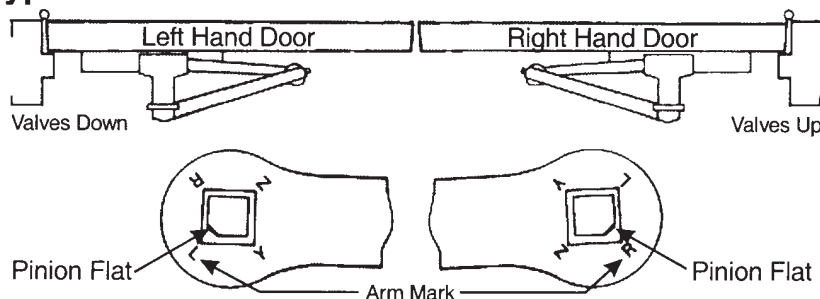
- **Install cover.**
 See front page.

Frame Template for Flush Partitions
Door Template on Page 2



Fastener	Frame	Door	Drill
1/4-20 machine screw	metal	none	#7 (.201 dia.) or 5.10mm. drill...1/4-20 tap
#14 type "A" sheet metal screw	wood	none	3/16" (4.30mm.)
SNB	none	hollow-metal	9/32" (7.00mm.) thru... 3/8" (9.50mm.) door face opposite to closer
		aluminum or wood	3/8" (9.50mm.) thru

Typical Installation



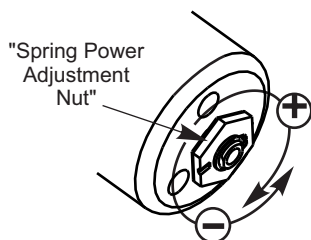
The ASSA ABLOY Group is the global leader in access solutions. Every day we help people feel safe, secure and experience a more open world.

Adjustments

Closing Speed Controls

- Valve "S" Controls Sweep Range.
- Valve "L" Controls Latch Range.
- Valve "D" Controls Optional Delay Range.

Closing Power Control



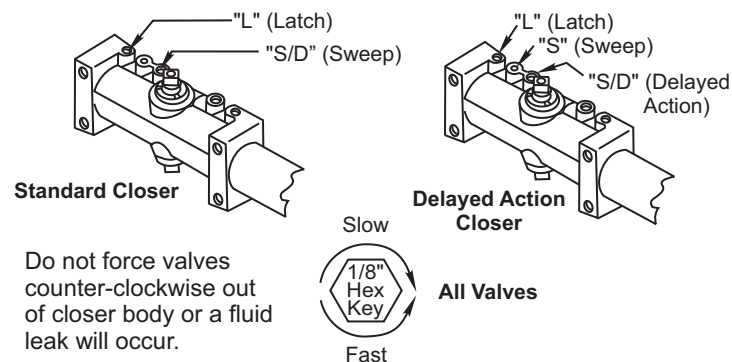
For 7500 Series Only
Set closer to desired size. For recommended sizes, refer to the Power Adjustment Chart below.

Install closer per instructions with proper pre-load applied to arm then adjust spring power. Power adjustment will not work properly if closer spring is not pre-loaded. To increase power, use 11/16" wrench to turn power adjustment nut clockwise. To decrease power, turn nut counter clockwise.



DO NOT use a power drill or driver to turn adjustment nut. This will damage closer and void warranty.

Closing Speed Controls



Power Adjustment Chart for Multi Size Closers

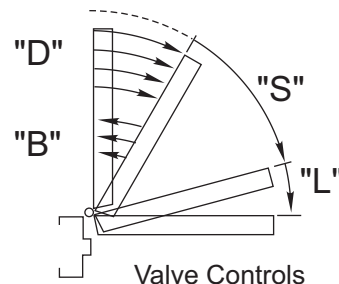
Door Size inches (m)	UNI-7500	
	Turns from Zero	
	Interior Door	Exterior Door
28-32 (0.70-0.80)	1	3
33-41 (0.85-1.00)	6	8
42-48 (1.05-1.20)	9	12

Opening Door Control

- Backcheck ("B") valve controls the hydraulic resistance to door opening. NEVER close this valve completely – it is not to provide a positive stop.
- Backcheck position ("P") valve controls the door angle where backcheck cushioning starts. Valve normally closed.

Opening Door Controls

All valves adjustable with 1/8" hex key furnished in screw pack.



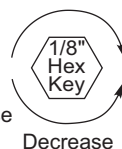
Backcheck

Backcheck Position



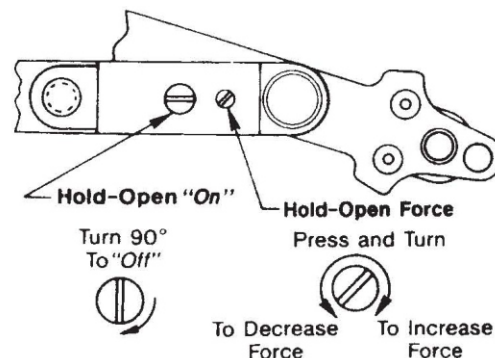
Open for backcheck later in door-opening cycle.

Backcheck Cushion



Do not force valves counter-clockwise out of closer body or a fluid leak will occur.

Hold Open controls are at arm elbow (models suffixed "H"). To select hold open on or hold open off and to adjust the hold open force, use screwdriver as illustrated below.



Technical Product Support:
Monroe, NC 28112 USA
Phone: 877.974.2255 ext: 2
Techsupport.NortonRixson@assaabloy.com
NortonRixson.com